



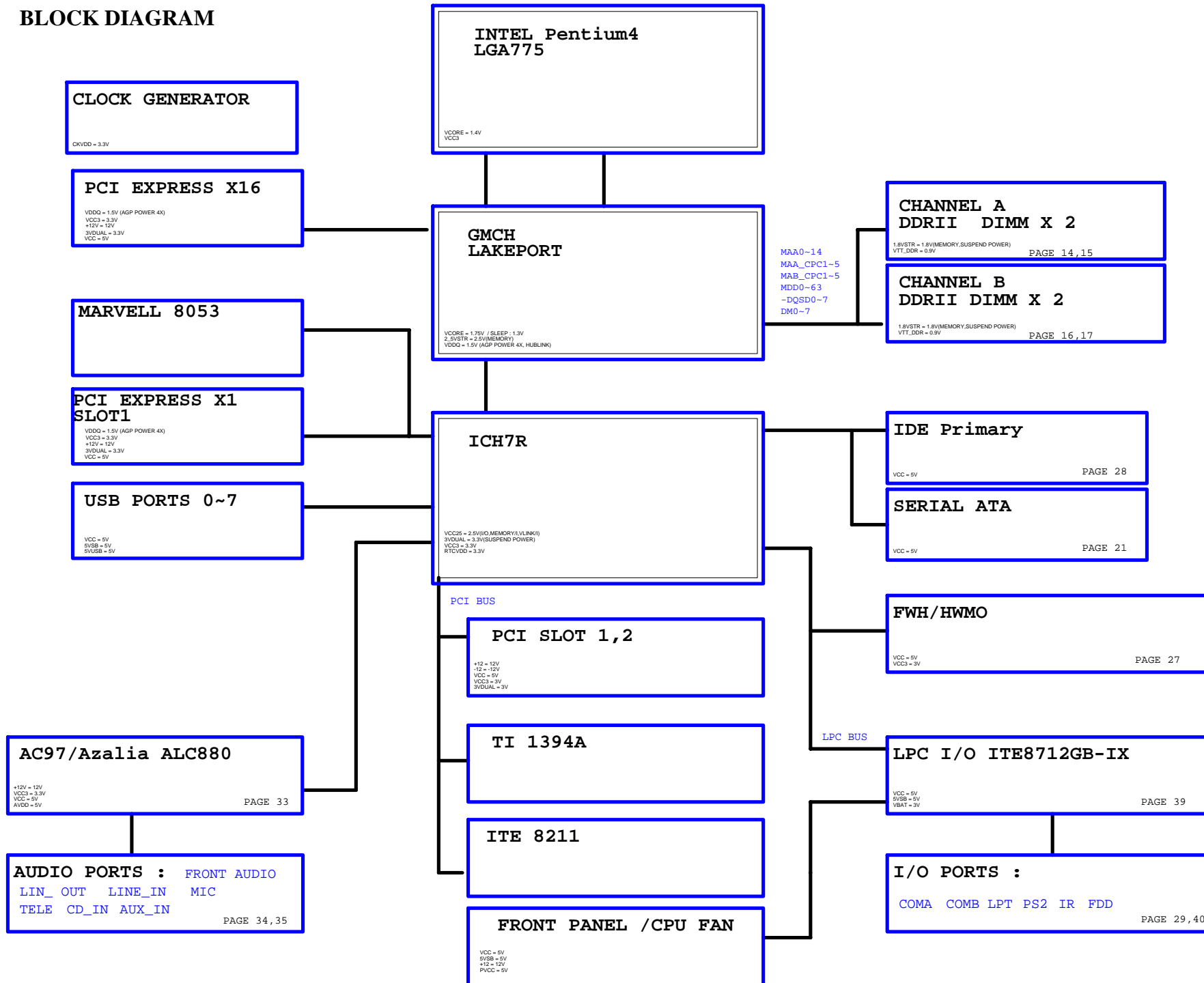
SHEET TITLE

01	COVER SHEET
02	BLOCK DIAGRAM
03	BOM & PCB MODIFY HISTORY
04	P4_LGA775_A
05	P4_LGA775_B
06	P4_LGA775_C
07	P4_LGA775_D
08	GMCH-LAKEPORT_HOST
09	GMCH-LAKEPORT_DDRII
10	GMCH-LAKEPORT_PCI E, DMI
11	GMCH-LAKEPORT_INT VGA
12	GMCH-LAKEPORT_GND
13	GMCH-LAKEPORT_PWR
14	DDRII CHANNEL A 1,2
15	DDRII CHANNEL B 1,2
16	DDRII TERMINATION
17	PCI EXPRESS*16 SLOT
18	ICH7 PCI, USB, DMI, LAN
19	ICH7 IDE, GPIO, SATA, CTRL
20	ICH7 VCC, GND
21	GB/CK410M CLOCK.
22	FWH
23	PCI SLOT 1
24	PCI EXPRESS*1 SLOT 1
25	H/W MONITOR
26	IDE
27	KB_PS2

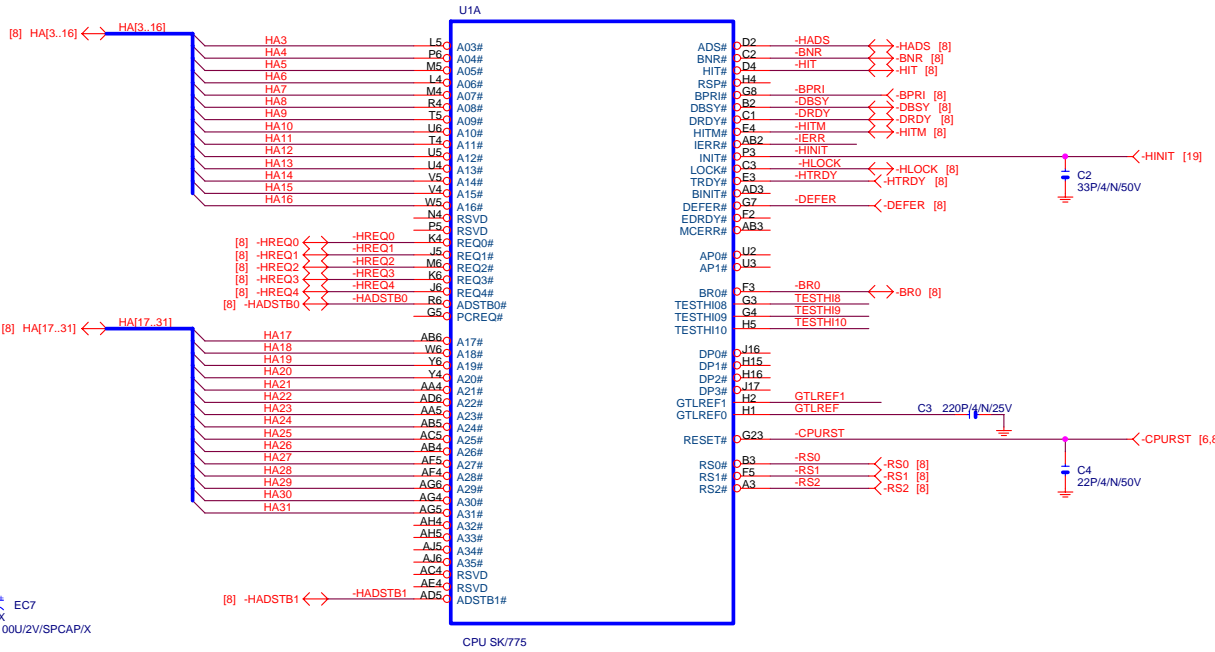
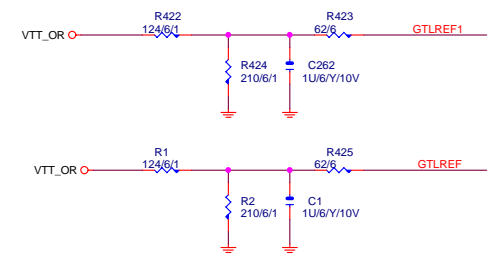
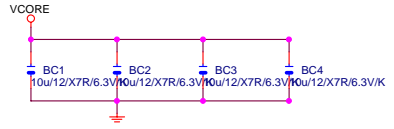
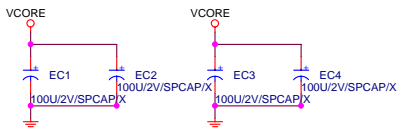
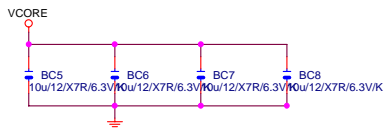
SHEET TITLE

28	FRONT PANEL
29	FRONT USB CONNECTOR
30	CPU_FAN & SYS_FAN
31	AZALIA CODEC ALC880
32	AUDIO JACK 1
33	AUDIO JACK 2
34	TSB43AB23A 1394A
35	ITE 8211-A
36	COM_LPT
37	VCORE PWM
38	DISCRETE POWER
39	ATX POWER CONN.
40	TEKOA ( 82537E ) -1
41	TEKOA ( 82537E ) -2
42	

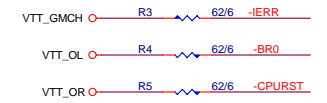
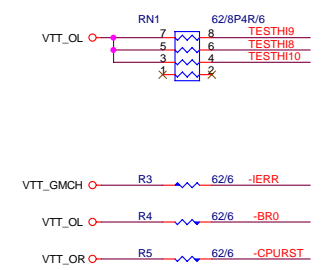
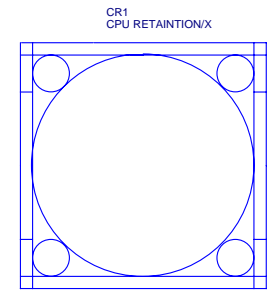
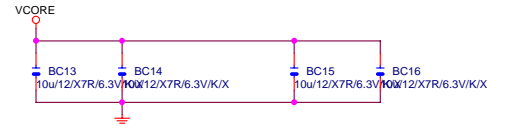
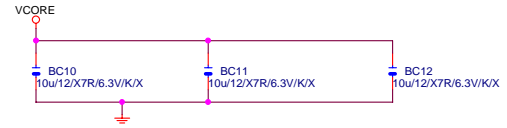
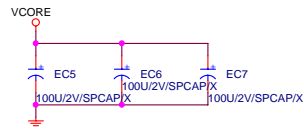
# BLOCK DIAGRAM



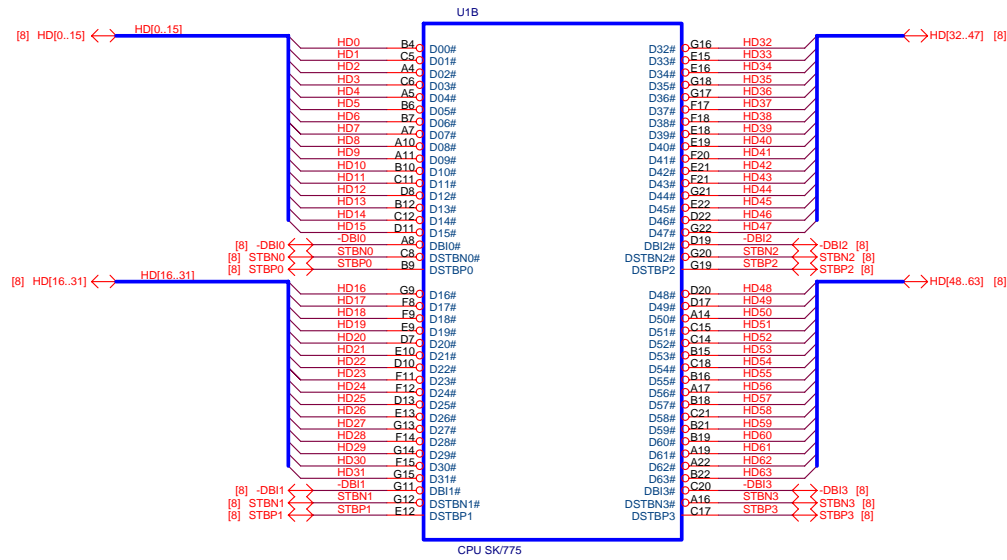




**SP-CAP X 4PCS**



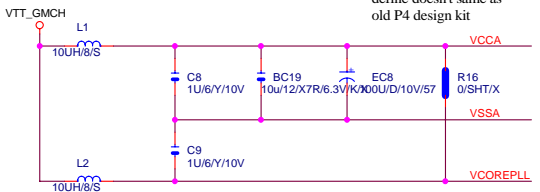
<b>GIGABYTE THCNLOGIES, INC.</b>			
Title		<b>P4_LGA775-A</b>	
Size	Document Number	<b>81945GMH-RH</b>	
Custom		Rev	<b>1.01</b>
Date:	Monday, January 02, 2006	Sheet	4 of 41



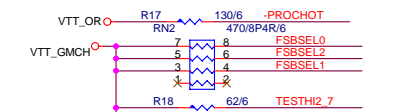
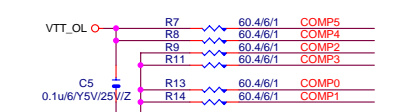
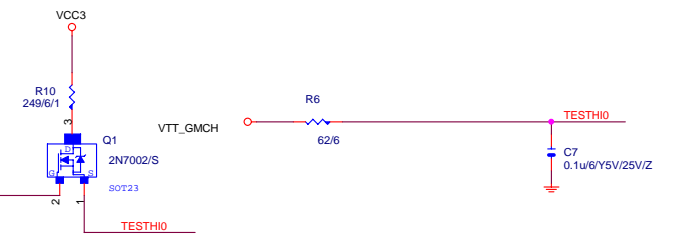
**GIGABYTE THCHNOLOGIES, INC.**

Title			P4_LGA775-B		
Size	Document Number	81945GMH-RH			Rev
Custom					1.01
Date:	Monday, January 02, 2006	Sheet	5	of	41

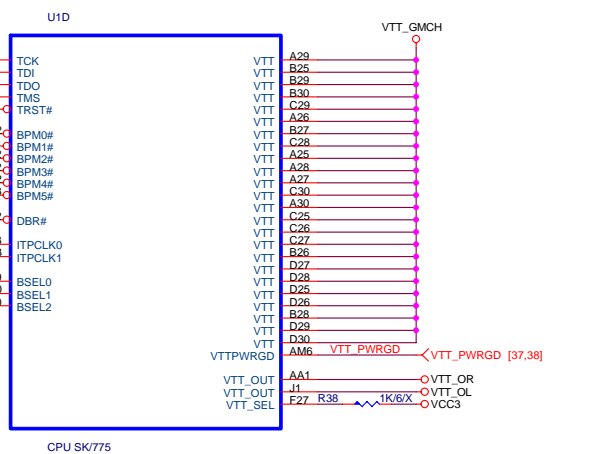
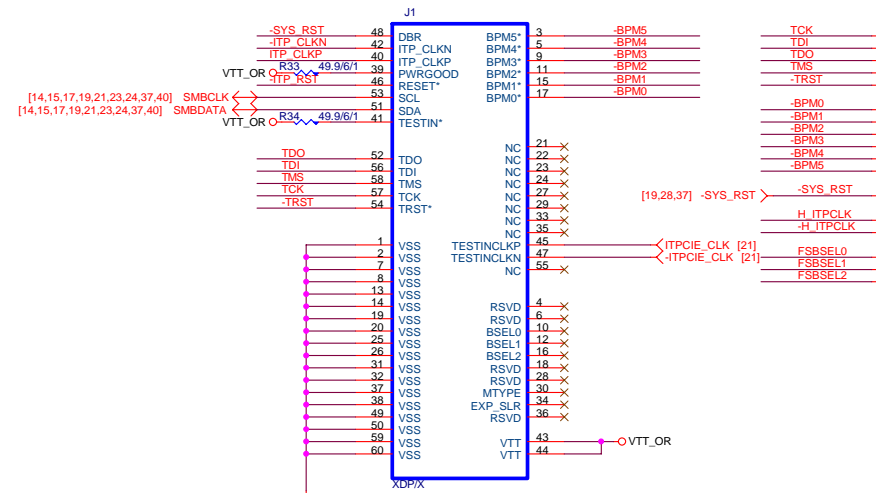
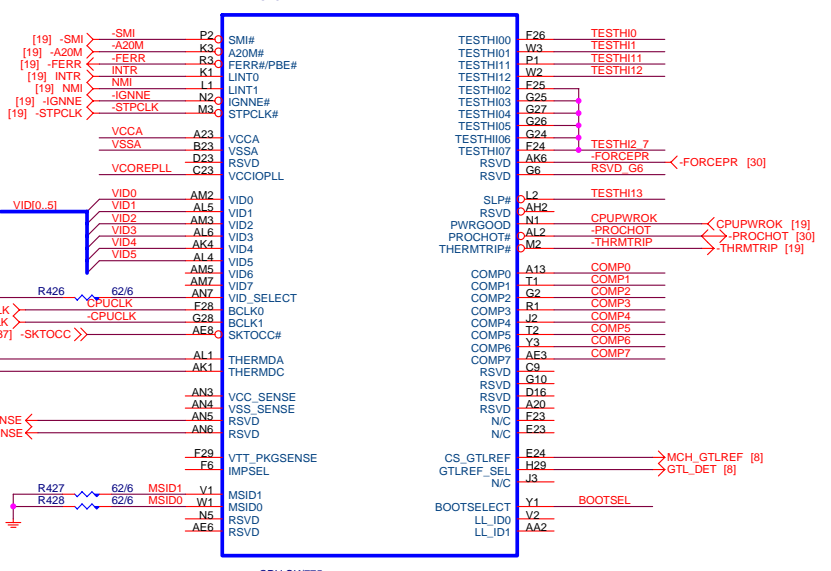
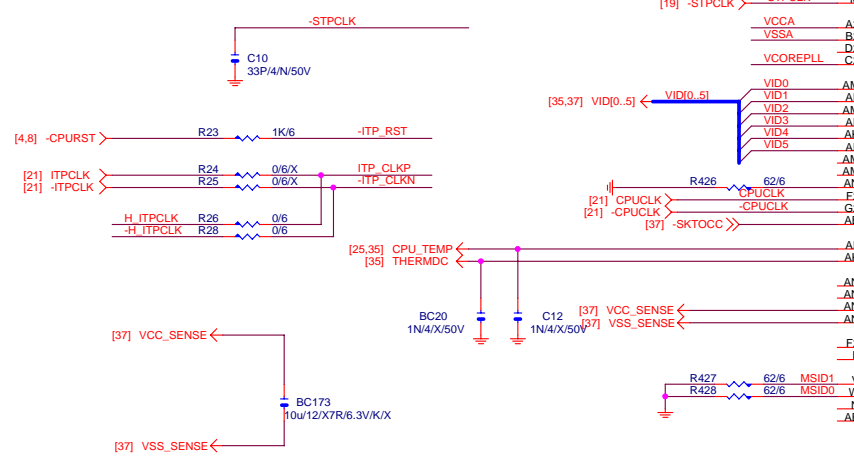
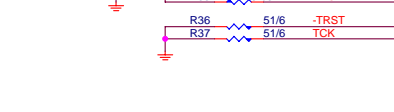
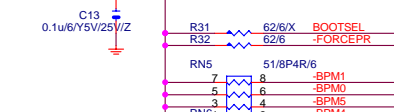
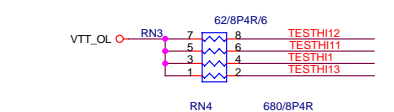
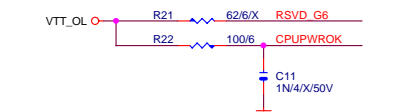
Note: VCCA & VCOREPLL define doesn't same as old P4 design kit



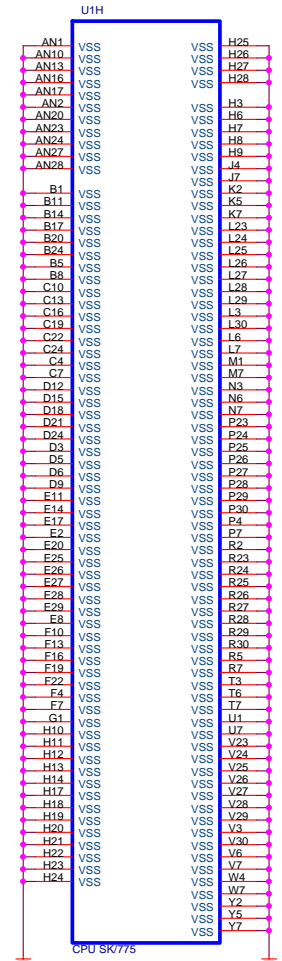
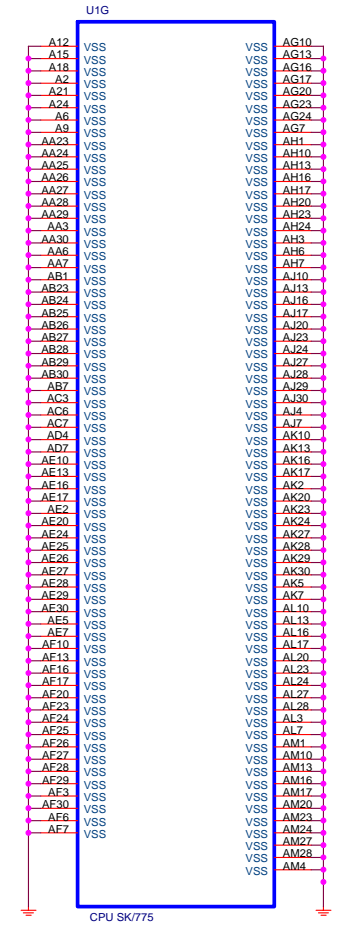
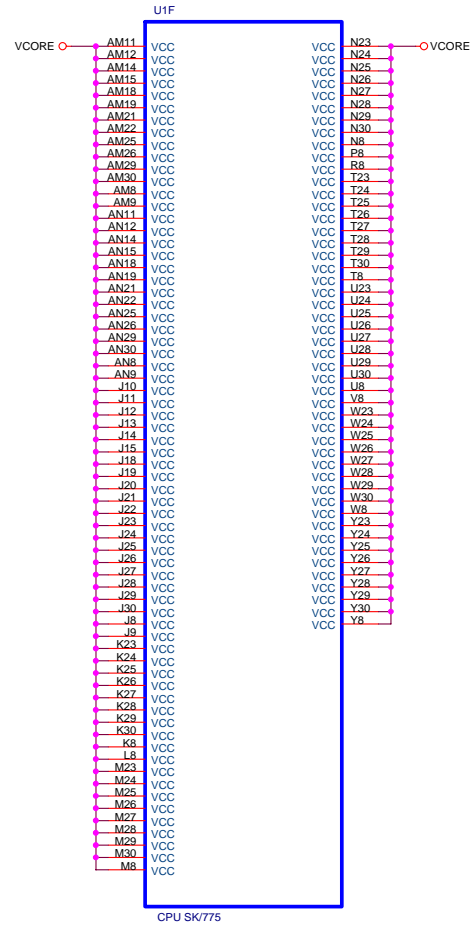
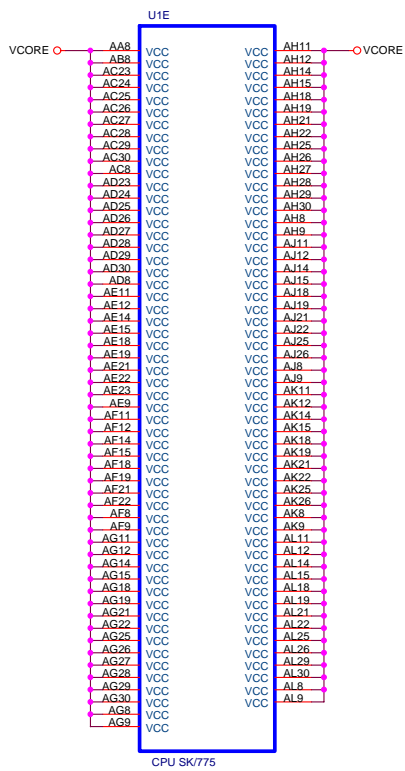
As close as possible to CPU socket

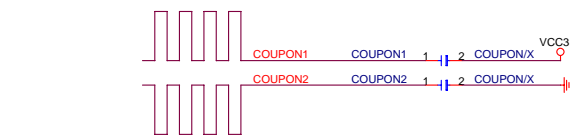
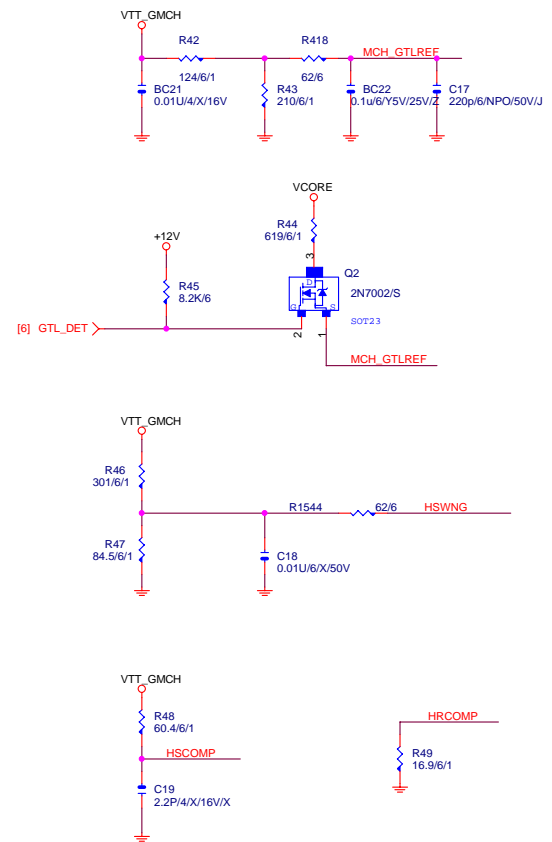
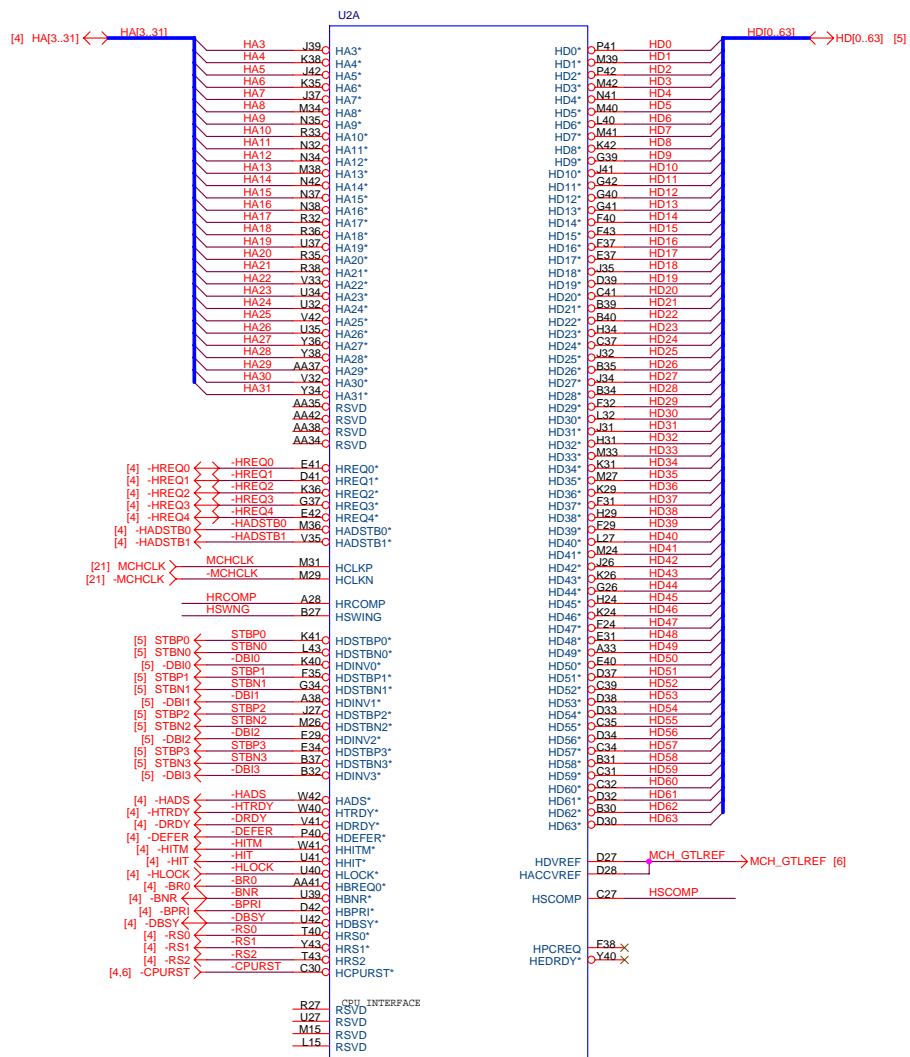


Locate at ICH7 Side



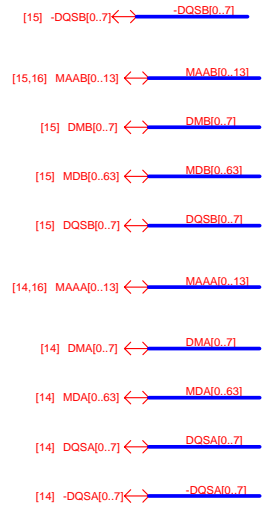
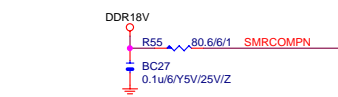
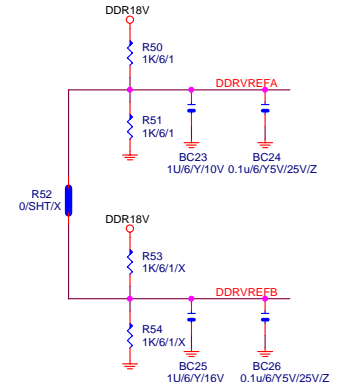
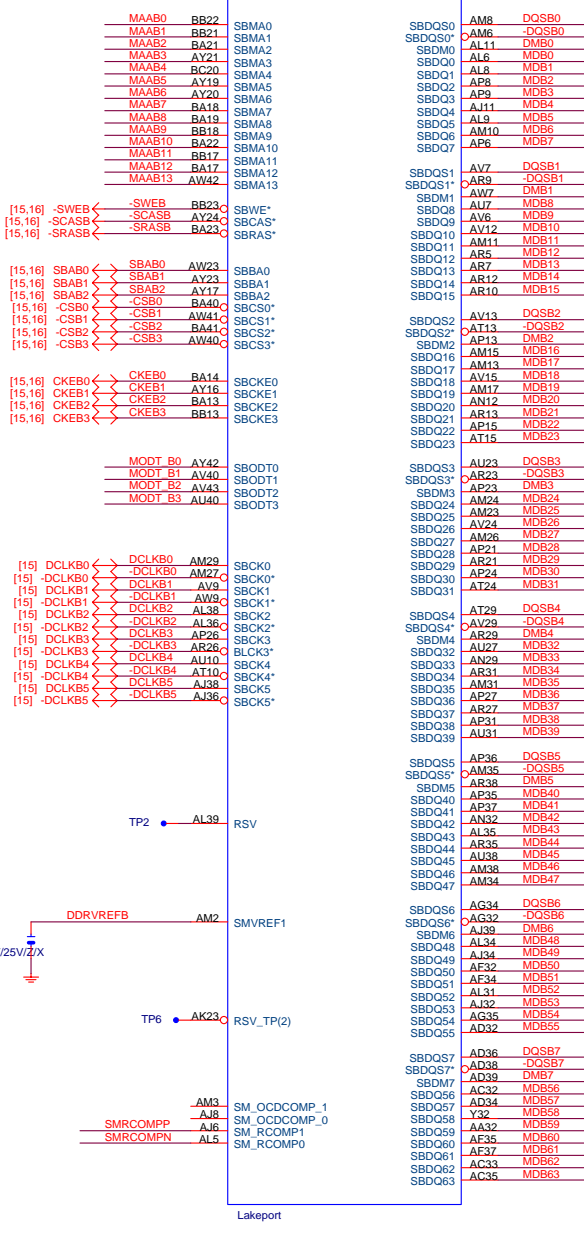
GIGABYTE TECHNOLOGIES, INC.
Title: P4\_LGA775-C
Size Custom: Document Number 81945GMH-RH Rev 1.01
Date: Monday, January 02, 2006 Sheet 6 of 41





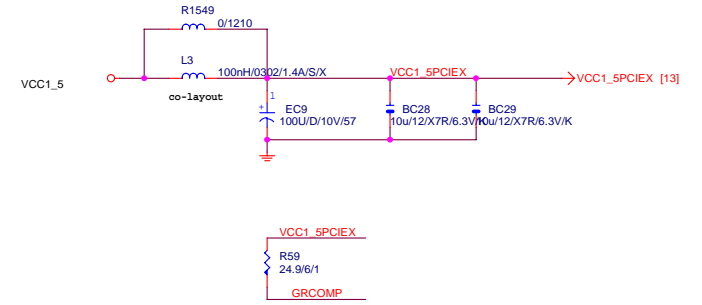
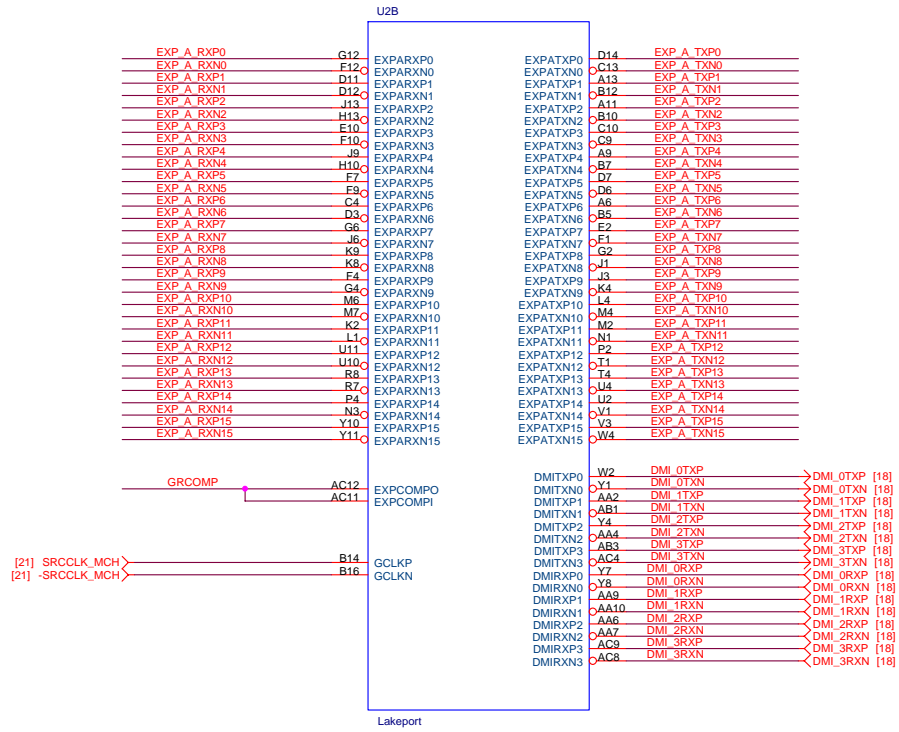
<b>GIGABYTE THCNLOGIES, INC.</b>			
Title <b>GMCH-HOST</b>			
Size Custom	Document Number	<b>81945GMH-RH</b>	
Date: Monday, January 02, 2006	Sheet	8	of 41
			Rev <b>1.0</b>





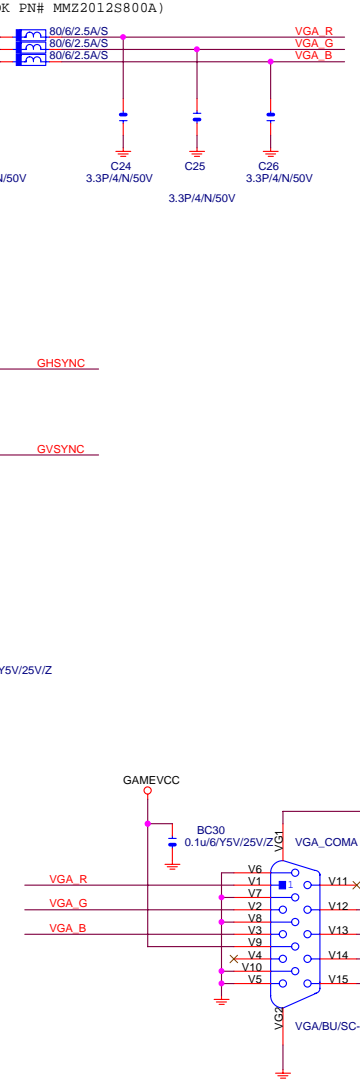
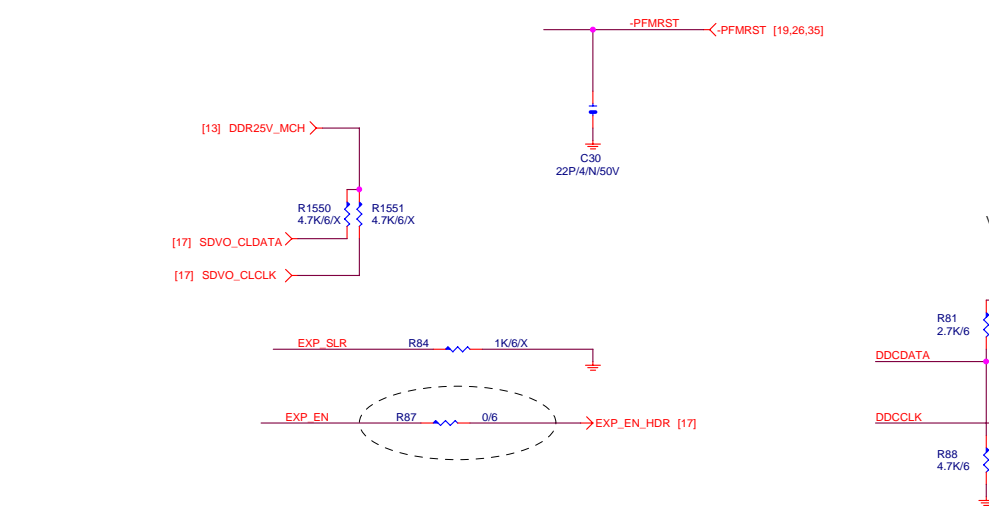
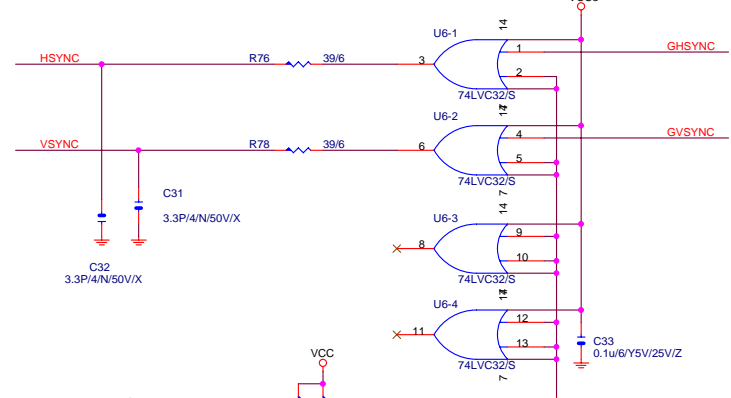
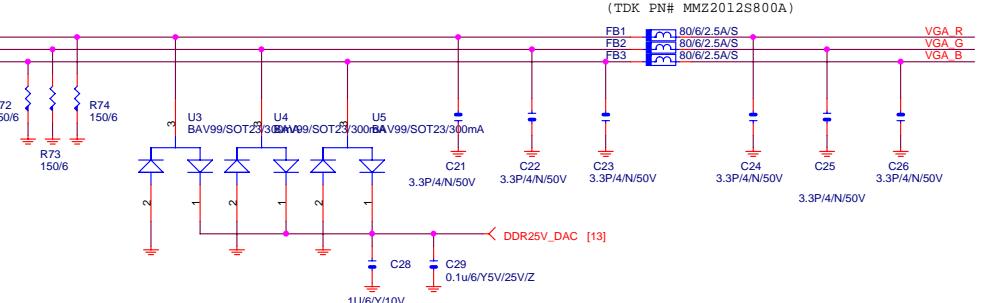
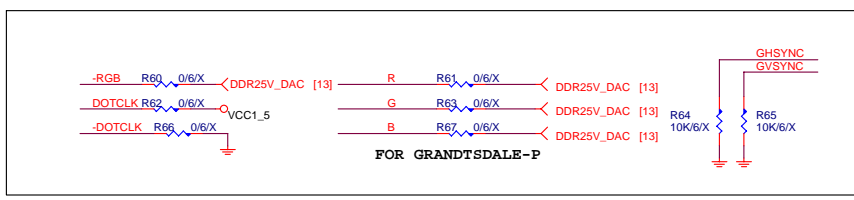
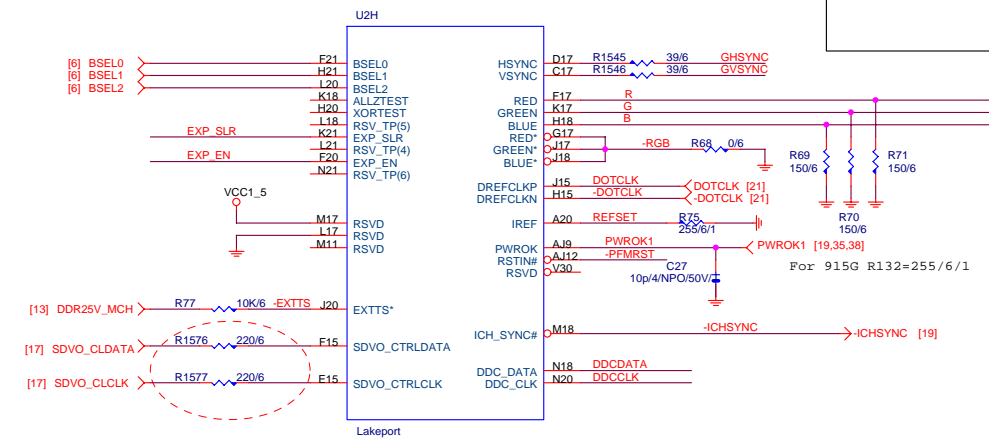
NB\_HEATSIN

P/N:12SP2-04F003-61



**GIGABYTE THCNLOGIES, INC.**

Title	GMCH-PCI E & DMI		
Size	Document Number	81945GMH-RH	Rev
Custom			1.0
Date:	Monday, January 02, 2006	Sheet	10 of 41



<b>GIGABYTE THCHNOLOGIES, INC.</b>			
Title	<b>GMCH-INTERNAL VGA</b>		
Size Custom	Document Number	<b>81945GMH-RH</b>	Rev <b>1.01</b>
Date:	Monday, January 02, 2006	Sheet	11 of 41

U2C

A4	VSS	N2
A16	VSS	N6
A22	VSS	AD0
A26	VSS	AD11
A31	VSS	AD13
A35	VSS	N15
B4	VSS	N24
B6	VSS	N26
B9	VSS	N27
B11	VSS	N29
B13	VSS	AF1
B21	VSS	AF2
B22	VSS	N33
B28	VSS	N36
B33	VSS	N39
B38	VSS	N43
C3	VSS	P3
C5	VSS	P14
C7	VSS	P15
C12	VSS	P24
C14	VSS	P26
C22	VSS	P27
C40	VSS	P29
D2	VSS	P30
D5	VSS	R6
D10	VSS	R9
D16	VSS	R12
D21	VSS	R14
E3	VSS	R30
E4	VSS	R31
E7	VSS	R34
E9	VSS	R37
E12	VSS	R39
E13	VSS	T2
E17	VSS	T42
E18	VSS	U3
E20	VSS	U5
E21	VSS	U8
E32	VSS	U12
F2	VSS	U14
F6	VSS	U31
F8	VSS	U33
F18	VSS	U36
F26	VSS	U38
F34	VSS	V2
F42	VSS	V8
G3	VSS	V11
G5	VSS	V12
G7	VSS	V14
G9	VSS	V36
G10	VSS	V37
G13	VSS	V38
G15	VSS	V39
G18	VSS	V43
G20	VSS	W3
G21	VSS	Y2
G24	VSS	Y5
G27	VSS	Y6
G29	VSS	Y9
G31	VSS	Y12
G32	VSS	Y14
G35	VSS	Y31
G38	VSS	Y35
H12	VSS	Y37
H17	VSS	Y39
H26	VSS	Y42
H27	VSS	AA3
H32	VSS	AA8
I2	VSS	AA11
J5	VSS	AA12
J7	VSS	AA14
J10	VSS	AA21
J12	VSS	AA23
J21	VSS	AA31
J24	VSS	AP5
J38	VSS	AP7
J43	VSS	AP10
K3	VSS	AP12
K5	VSS	AP21
K6	VSS	AP34
K7	VSS	AP38
K10	VSS	AR1
K12	VSS	AR6
K13	VSS	AR15
K15	VSS	AR20
K20	VSS	AR23
K27	VSS	AR31
K32	VSS	AR32
K34	VSS	AR37
K37	VSS	AR39
K39	VSS	AR43
L2	VSS	AT12
L12	VSS	AT17
L13	VSS	AT18
L24	VSS	AT21
L26	VSS	AT23
L29	VSS	AT26
L42	VSS	AT27
M3	VSS	AU9
M5	VSS	AU12
M8	VSS	AU13
M9	VSS	AU15
M10	VSS	AU17
M13	VSS	AU20
M20	VSS	AD18
M21	VSS	AD20
M35	VSS	AD22
M37	VSS	AD24

Lakeport

U2E

AD7	VSS	AU21
N8	VSS	AU24
AD11	VSS	AU26
AD13	VSS	AU29
N15	VSS	AU32
N24	VSS	AU34
AD37	VSS	AV2
AD42	VSS	AV10
N29	VSS	AV17
AF1	VSS	AV37
AF2	VSS	AW10
N33	VSS	BA4
AF5	VSS	BA42
N39	VSS	BB3
AF36	VSS	BB6
P3	VSS	BB11
P14	VSS	BB14
P15	VSS	BB19
P24	VSS	BB34
P26	VSS	BB39
P27	VSS	BB41
P29	VSS	BC9
AG33	VSS	A40
AG36	VSS	D1
AG37	VSS	D43
AG38	VSS	R26
AG39	VSS	R29
AH42	VSS	U29
R12	VSS	V24
A10	VSS	V26
A30	VSS	V29
A31	VSS	W21
A33	VSS	W23
A35	VSS	W25
A37	VSS	W26
AK24	VSS	Y22
AK26	VSS	Y24
AK29	VSS	Y26
AK30	VSS	Y29
U8	VSS	AA25
AL1	VSS	AA27
AL3	VSS	AA29
AL7	VSS	AC19
U33	VSS	AC25
U36	VSS	AC29
U38	VSS	
V2	VSS	AA2
V8	VSS	B2
V11	VSS	B3
V12	VSS	B41
V14	VSS	B42
V36	VSS	B43
V37	VSS	C2
V38	VSS	C42
V39	VSS	E35
V43	VSS	AV26
W3	VSS	AV27
Y2	VSS	AW2
Y5	VSS	AW26
Y6	VSS	BA2
Y9	VSS	BB1
Y12	VSS	BB2
Y14	VSS	BB43
Y31	VSS	BC1
Y35	VSS	BC2
Y37	VSS	BC42
Y39	VSS	BC43
Y42	VSS	
AA3	VSS	
AA8	VSS	
AA11	VSS	
AA12	VSS	
AA14	VSS	
AA21	VSS	
AA23	VSS	
AA31	VSS	
AP5	VSS	
AP7	VSS	
AP10	VSS	AK21
AP12	VSS	AJ23
AP21	VSS	AJ26
AP34	VSS	AL29
AP38	VSS	AL20
AR1	VSS	AJ21
AR6	VSS	AL26
AR15	VSS	AK27
AR20	VSS	AD30
AR23	VSS	AC34
AR31	VSS	Y30
AR32	VSS	Y33
AR37	VSS	AF31
AR39	VSS	AD31
AR43	VSS	U30
AT12	VSS	V31
AT17	VSS	AA30
AT18	VSS	AC30
AT21	VSS	AA3
AT23	VSS	AG25
AT26	VSS	AG26
AT27	VSS	AG27
AT31	VSS	AJ24
AU6	VSS	AJ27
AU9	VSS	AK40
AU12	VSS	AW17
AU13	VSS	AW19
AU15	VSS	AY14
AU17	VSS	BC16
AU20	VSS	AJ29
AD18	VSS	AG29
AD20	VSS	
AD22	VSS	
AD24	VSS	
AD27	VSS	
AD29	VSS	
AE19	VSS	
AE21	VSS	
AE23	VSS	
AE25	VSS	
AF18	VSS	
AF20	VSS	
AF22	VSS	
AF24	VSS	
AY1	VSS	
BC4	VSS	

Lakeport

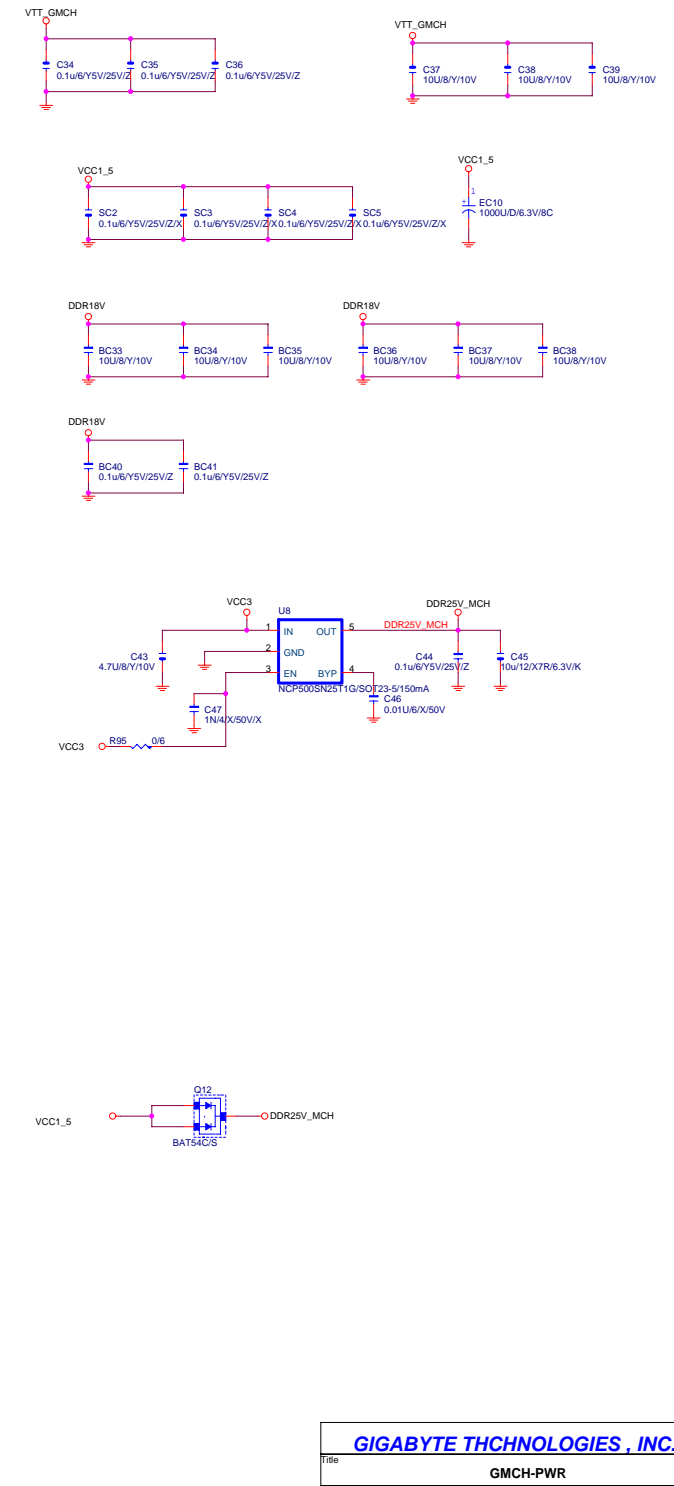
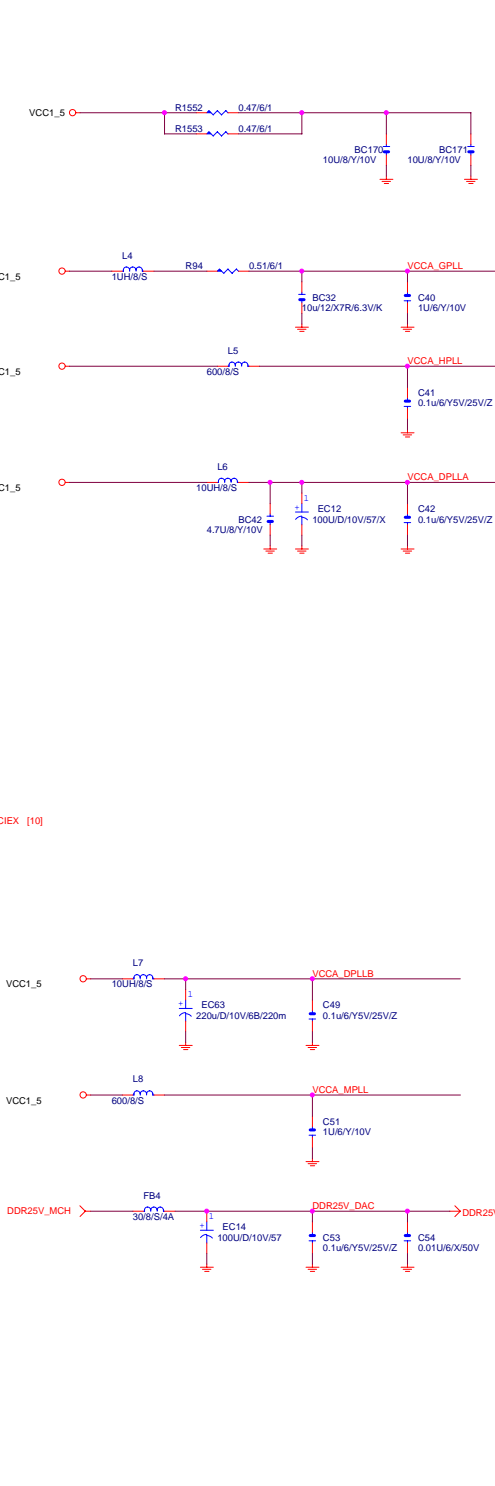
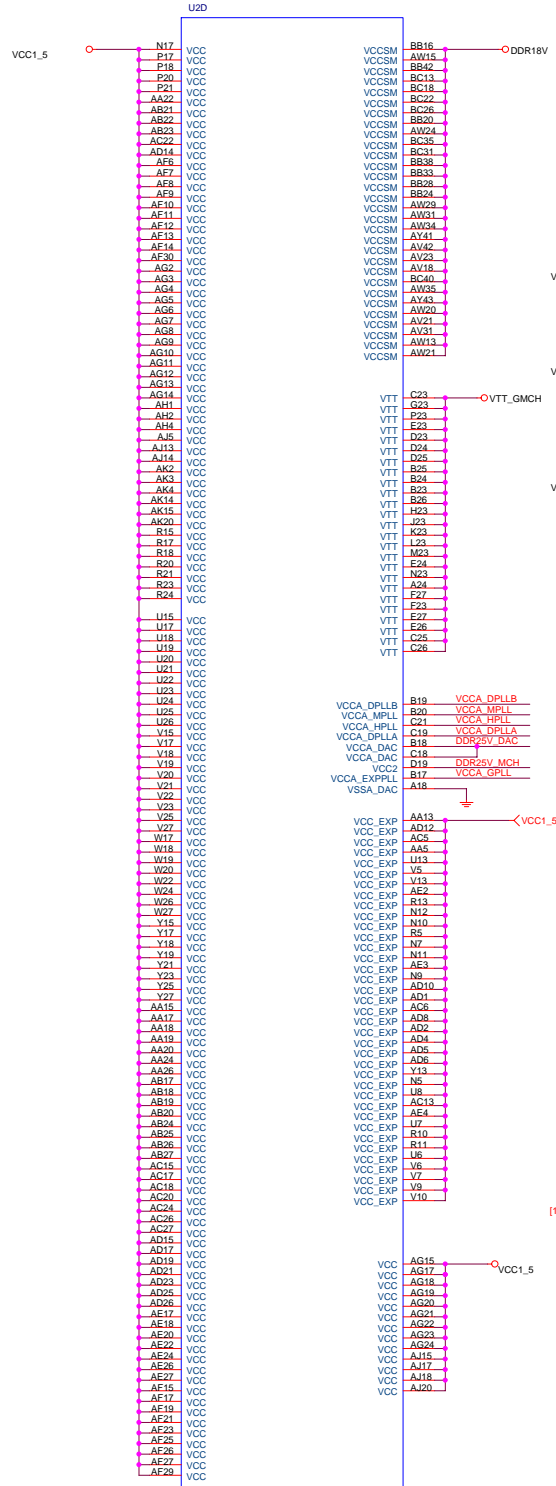
**GIGABYTE THCNLOGIES , INC.**

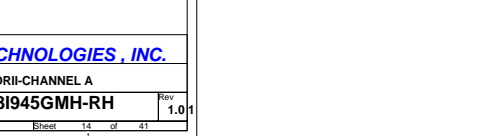
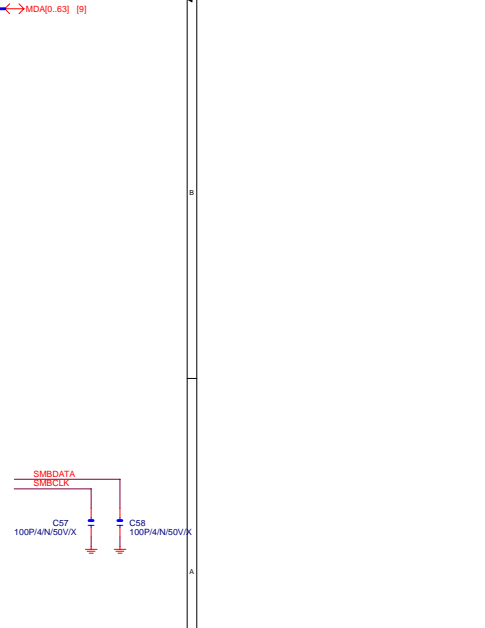
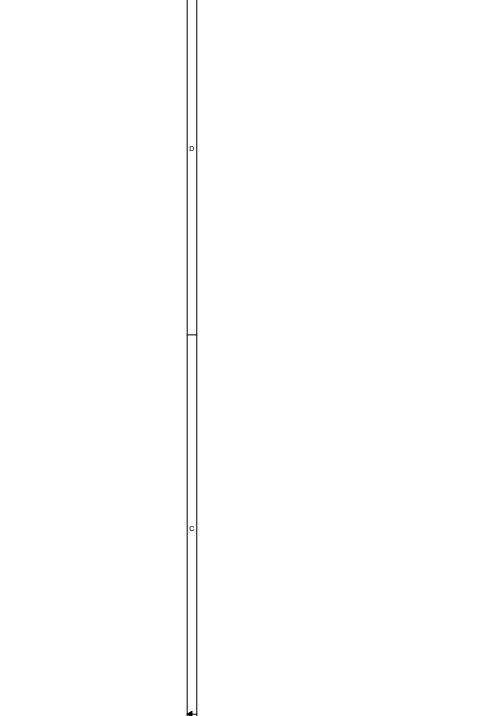
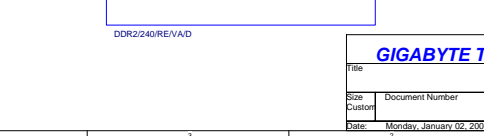
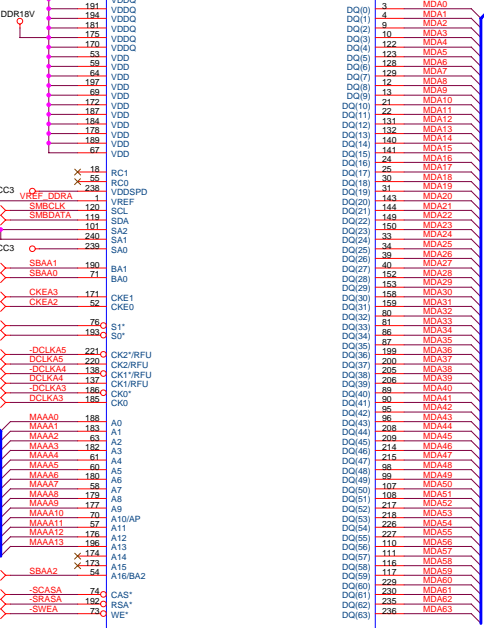
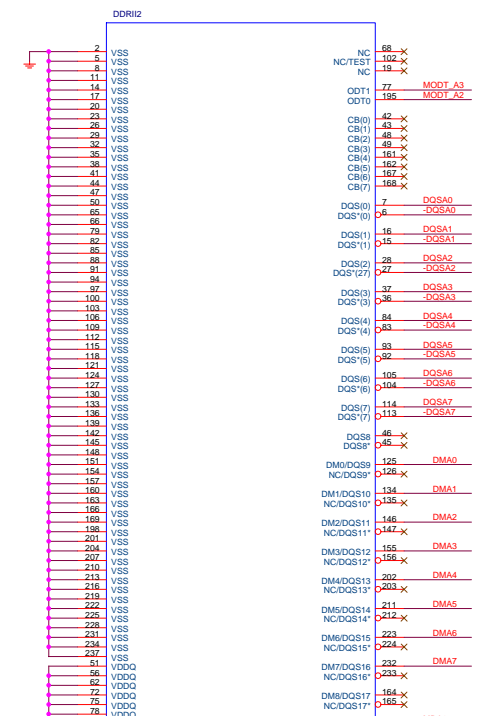
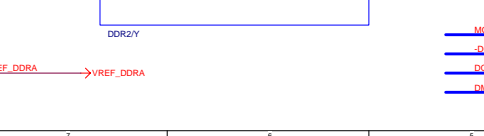
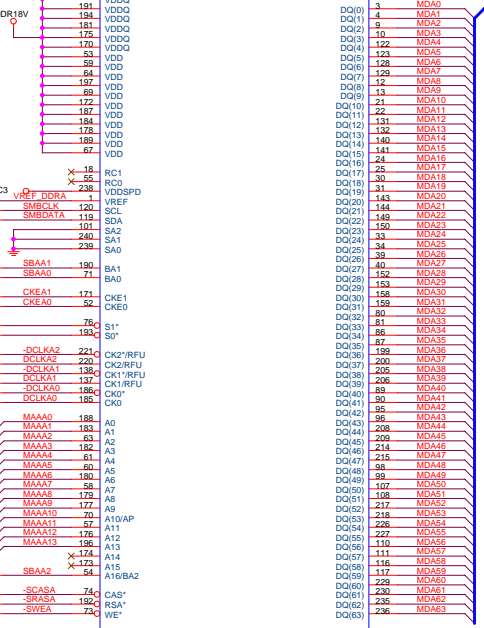
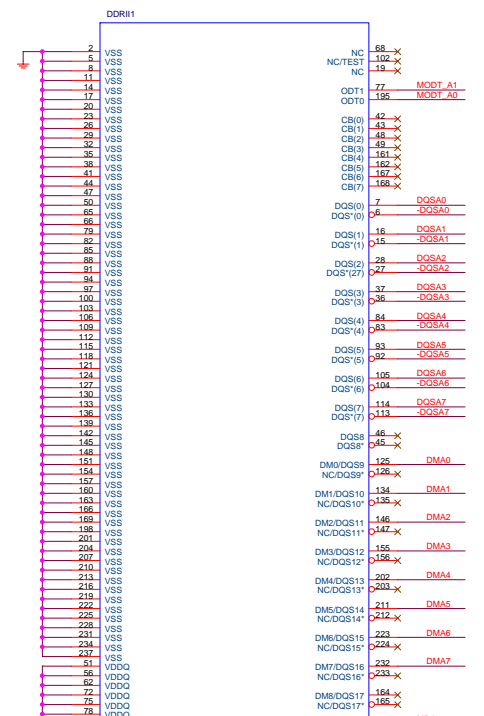
Title: **GMCH-GND**

Size: **81945GMH-RH** Rev: **1.0**

Customer: **81945GMH-RH**

Date: **Monday, January 02, 2006** Sheet: **12** of **41**



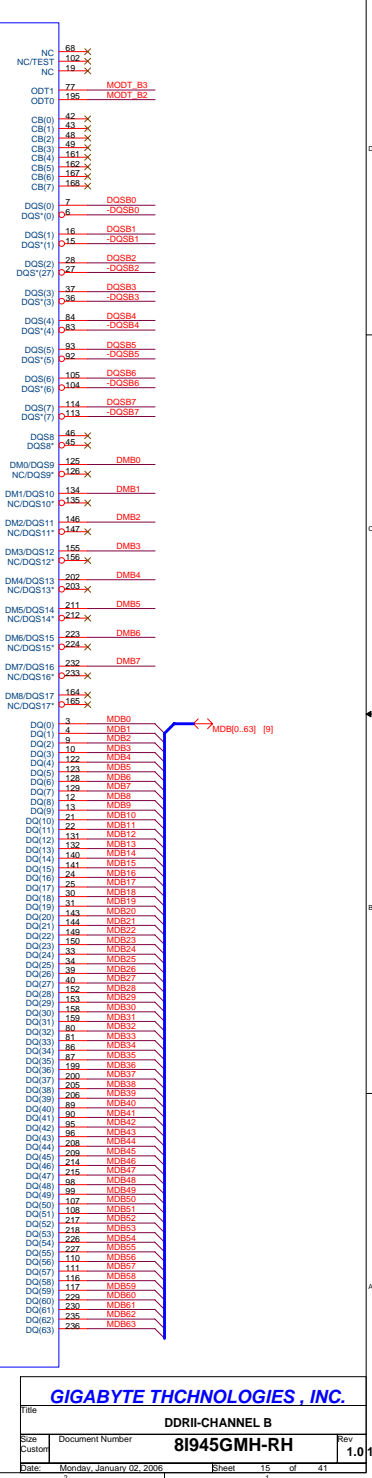
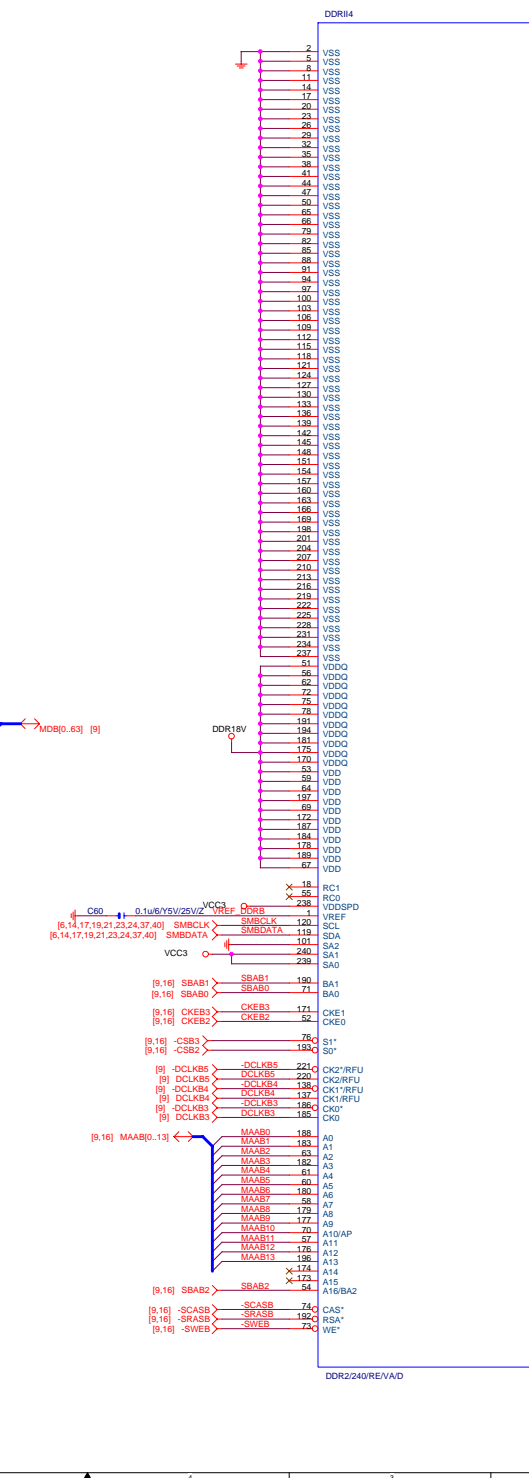
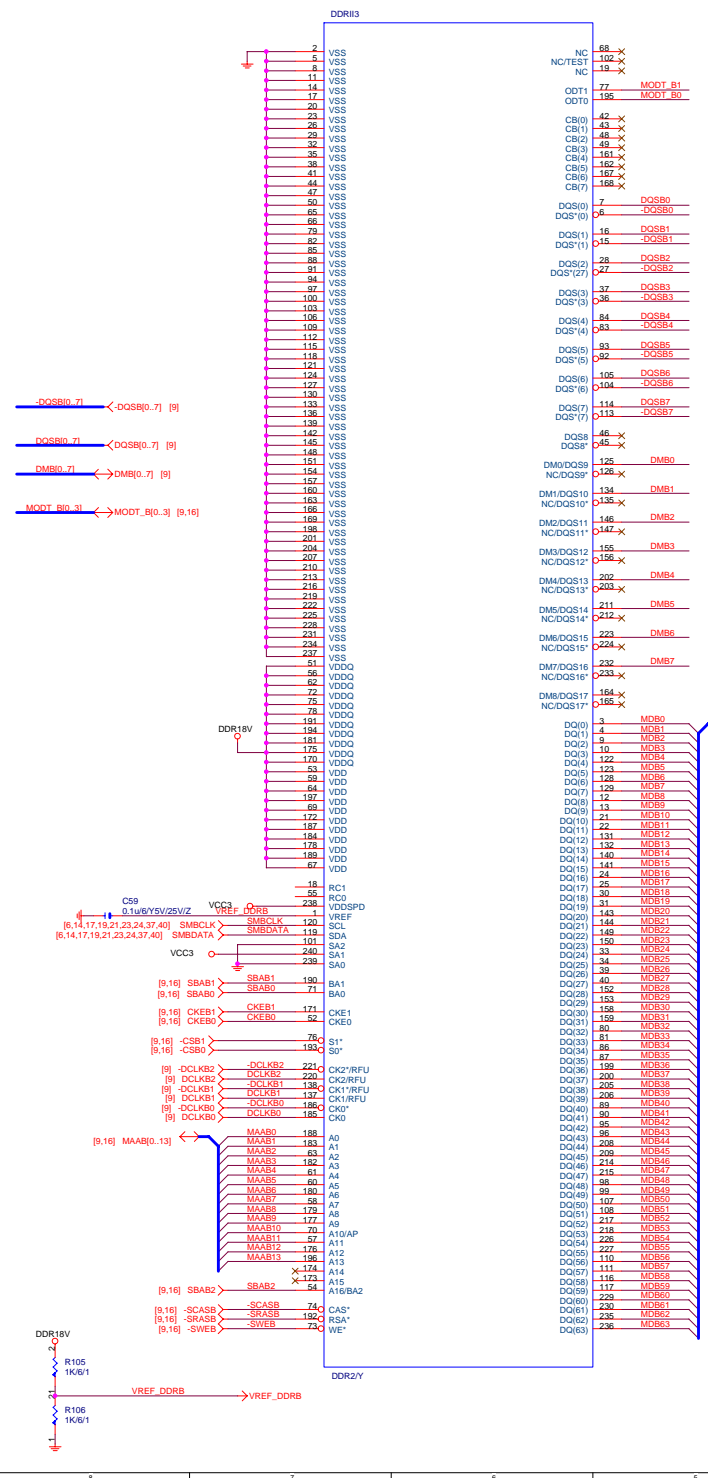


**GIGABYTE THCNLOGIES, INC.**

Title: **DDR11-CHANNEL A**

Size: **Document Number 81945GMH-RH**

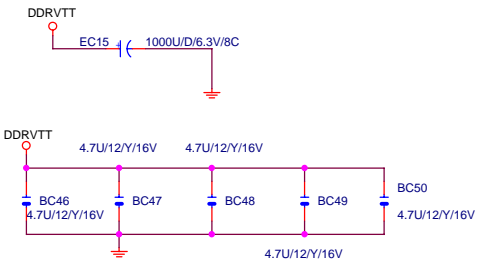
Date: **Monday, January 02, 2006** Sheet: **14** of **41** Rev: **1.0**



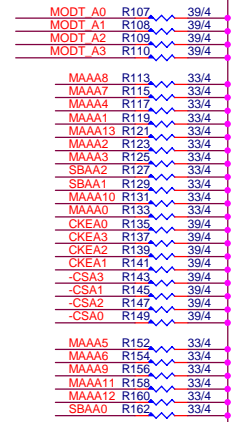
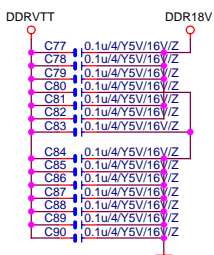
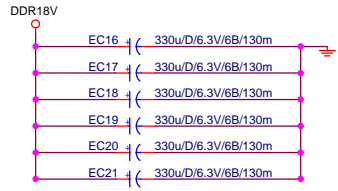
**GIGABYTE THCHNOLOGIES, INC.**

Title	DDRII-CHANNEL B		
Size	Document Number	81945GMH-RH	Rev
Customer			1.0
Date	Monday, January 02, 2006	Sheet	15 of 41

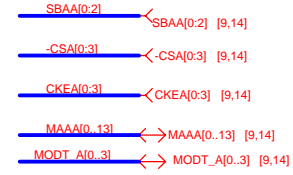
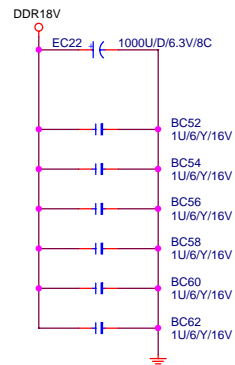
### DDRVTT Decouple



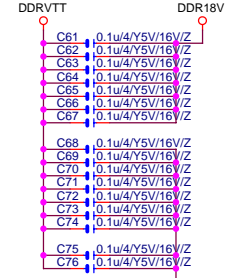
### DDR TERMINATION CHANNEL A



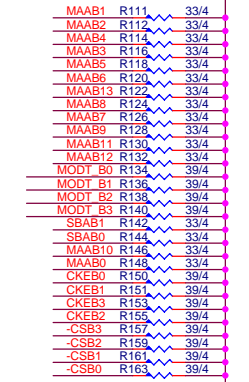
### DDR18V Decouple



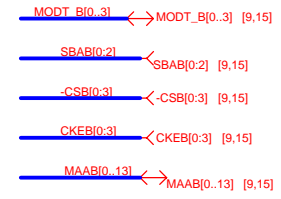
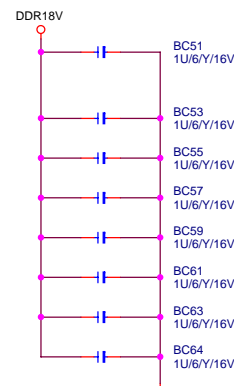
### DDRVTT Decouple



### CHANNEL B



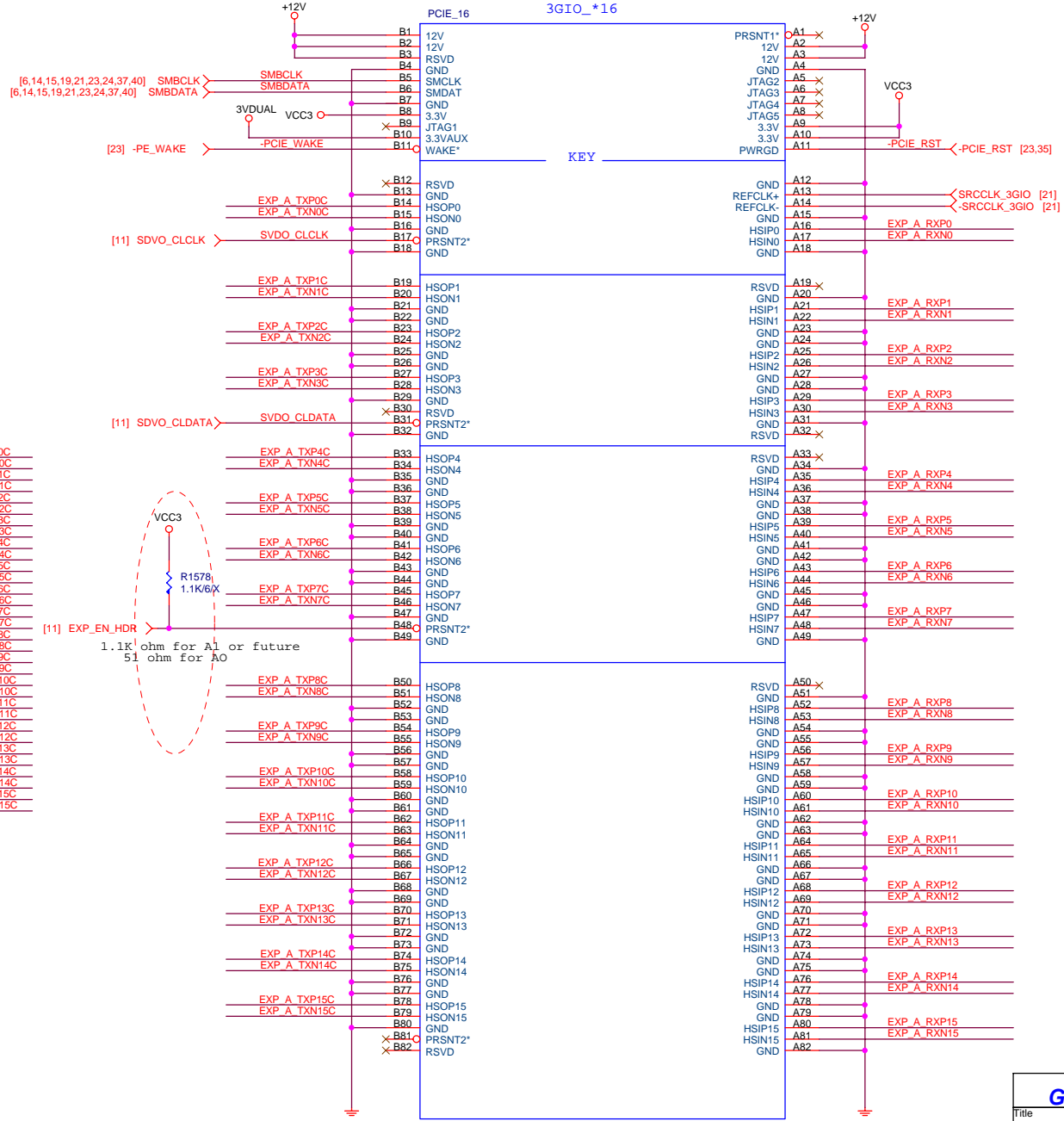
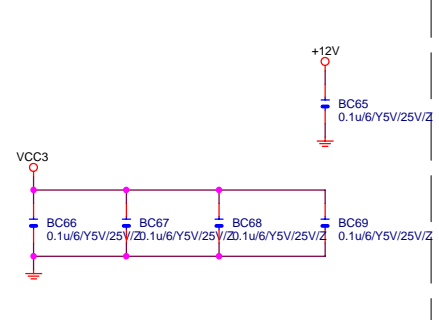
### DDR18V Decouple



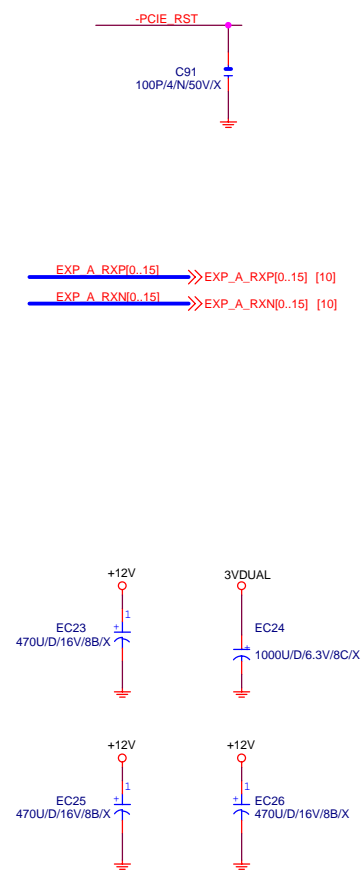
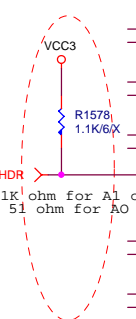
**GIGABYTE THCNOLOGIES, INC.**

Title			DDRII TERMINATOR		
Size		Document Number		Rev	
B		8I945GMH-RH		1.01	
Date:		Monday, January 02, 2006		Sheet 16 of 41	





EXP A TXP0	C92	0.1uF/6V/25V/Z	EXP A TXP0C
EXP A TXN0	C93	0.1uF/6V/25V/Z	EXP A TXN0C
EXP A TXP1	C94	0.1uF/6V/25V/Z	EXP A TXP1C
EXP A TXN1	C95	0.1uF/6V/25V/Z	EXP A TXN1C
EXP A TXP2	C96	0.1uF/6V/25V/Z	EXP A TXP2C
EXP A TXN2	C97	0.1uF/6V/25V/Z	EXP A TXN2C
EXP A TXP3	C98	0.1uF/6V/25V/Z	EXP A TXP3C
EXP A TXN3	C99	0.1uF/6V/25V/Z	EXP A TXN3C
EXP A TXP4	C100	0.1uF/6V/25V/Z	EXP A TXP4C
EXP A TXN4	C101	0.1uF/6V/25V/Z	EXP A TXN4C
EXP A TXP5	C102	0.1uF/6V/25V/Z	EXP A TXP5C
EXP A TXN5	C103	0.1uF/6V/25V/Z	EXP A TXN5C
EXP A TXP6	C104	0.1uF/6V/25V/Z	EXP A TXP6C
EXP A TXN6	C105	0.1uF/6V/25V/Z	EXP A TXN6C
EXP A TXP7	C106	0.1uF/6V/25V/Z	EXP A TXP7C
EXP A TXN7	C107	0.1uF/6V/25V/Z	EXP A TXN7C
EXP A TXP8	C108	0.1uF/6V/25V/Z	EXP A TXP8C
EXP A TXN8	C109	0.1uF/6V/25V/Z	EXP A TXN8C
EXP A TXP9	C110	0.1uF/6V/25V/Z	EXP A TXP9C
EXP A TXN9	C111	0.1uF/6V/25V/Z	EXP A TXN9C
EXP A TXP10	C112	0.1uF/6V/25V/Z	EXP A TXP10C
EXP A TXN10	C113	0.1uF/6V/25V/Z	EXP A TXN10C
EXP A TXP11	C114	0.1uF/6V/25V/Z	EXP A TXP11C
EXP A TXN11	C115	0.1uF/6V/25V/Z	EXP A TXN11C
EXP A TXP12	C116	0.1uF/6V/25V/Z	EXP A TXP12C
EXP A TXN12	C117	0.1uF/6V/25V/Z	EXP A TXN12C
EXP A TXP13	C118	0.1uF/6V/25V/Z	EXP A TXP13C
EXP A TXN13	C119	0.1uF/6V/25V/Z	EXP A TXN13C
EXP A TXP14	C120	0.1uF/6V/25V/Z	EXP A TXP14C
EXP A TXN14	C121	0.1uF/6V/25V/Z	EXP A TXN14C
EXP A TXP15	C122	0.1uF/6V/25V/Z	EXP A TXP15C
EXP A TXN15	C123	0.1uF/6V/25V/Z	EXP A TXN15C



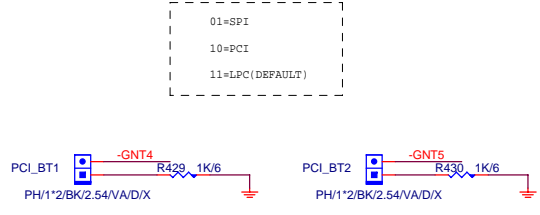
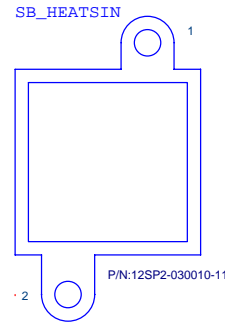
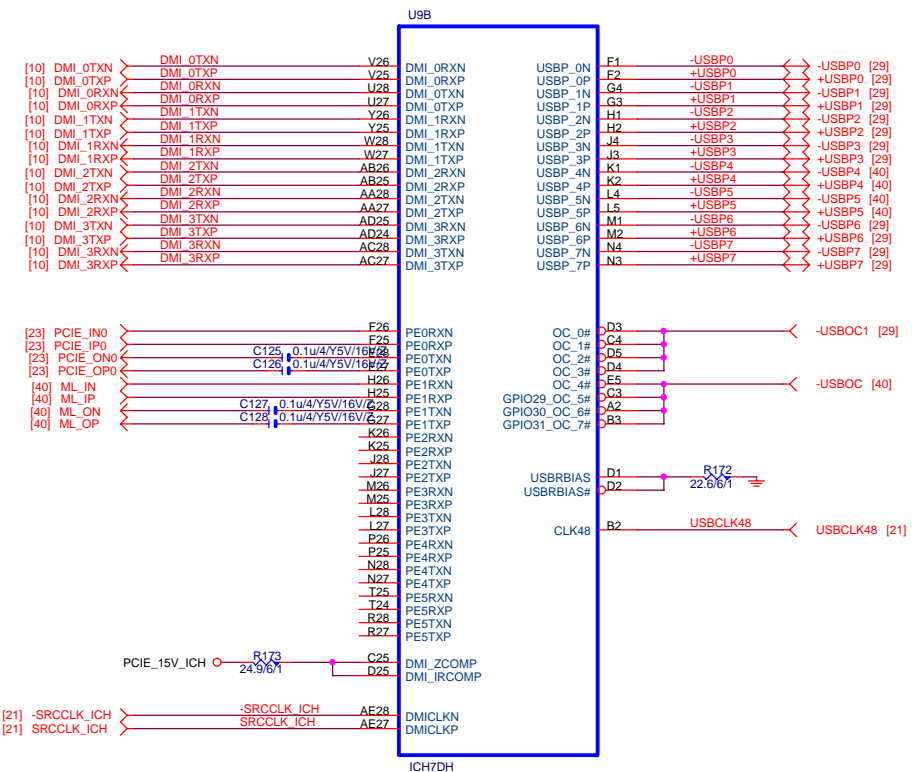
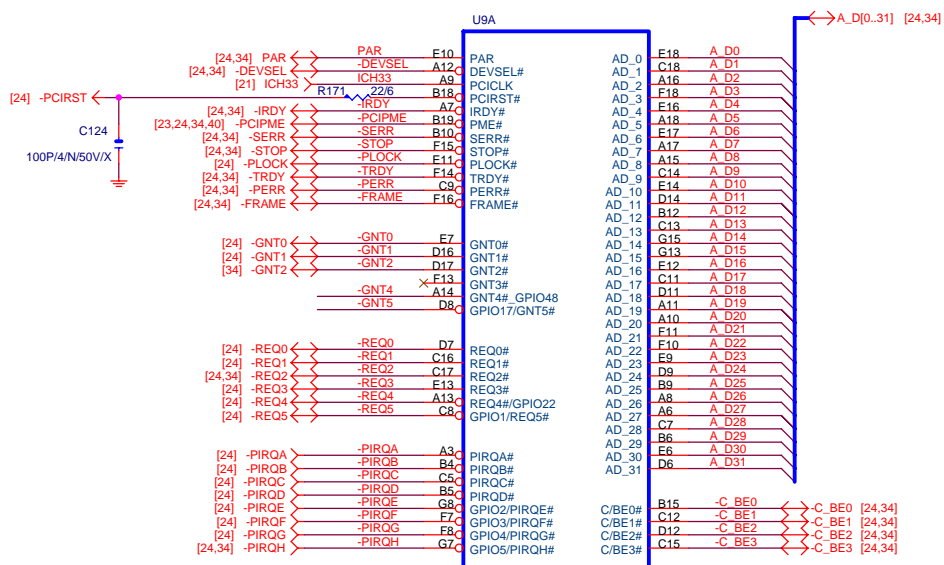
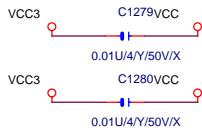
PCI-E/16X-164P/BK/AUTO-LOCK

**GIGABYTE THCNOLOGIES, INC.**

Title: **PCI EXPRESS X16**

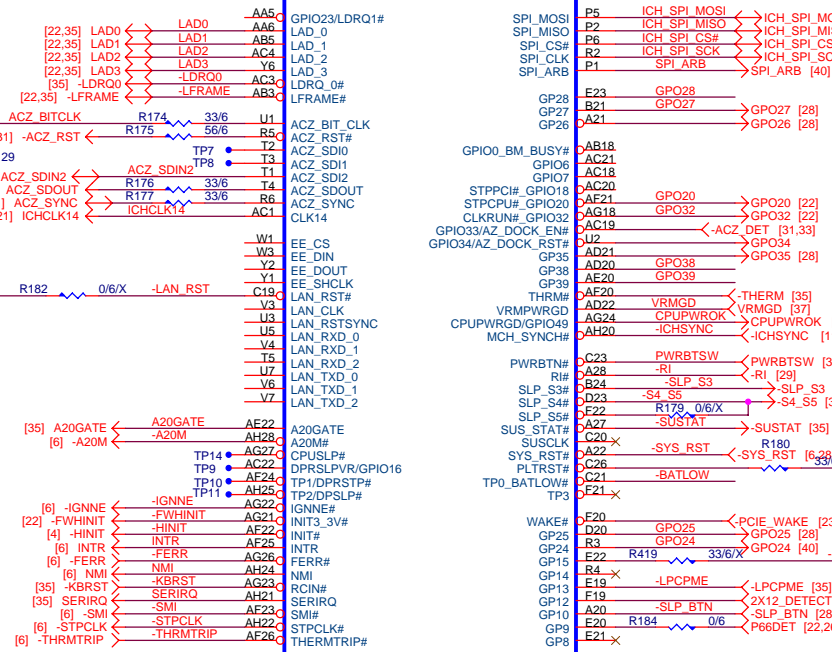
Size: Custom Document Number: **8I945GMH-RH** Rev: **1.01**

Date: Monday, January 02, 2006 Sheet: 17 of 41



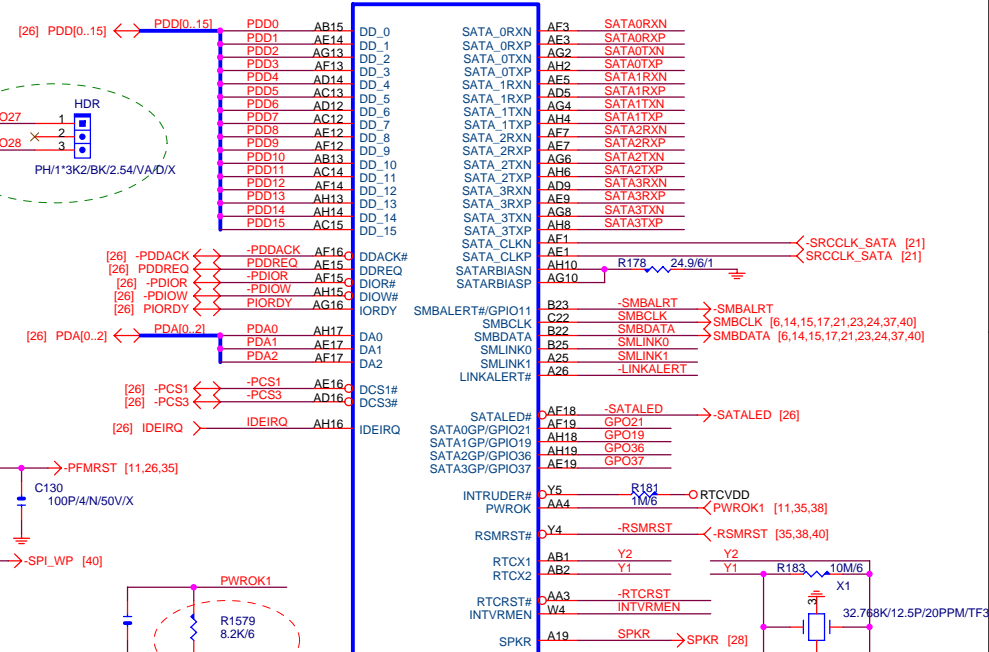
01=SPI  
10=PCI  
11=LPC(DEFAULT)

U9D

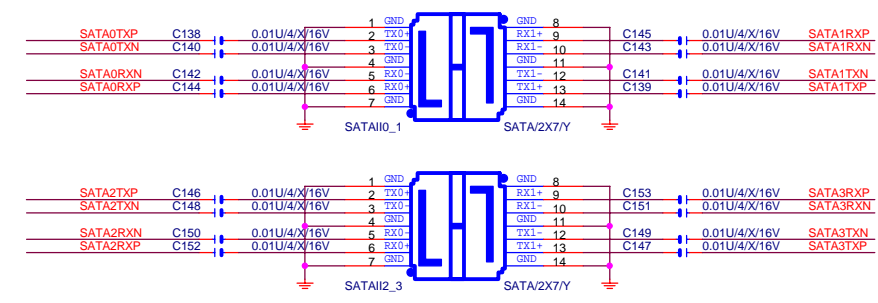
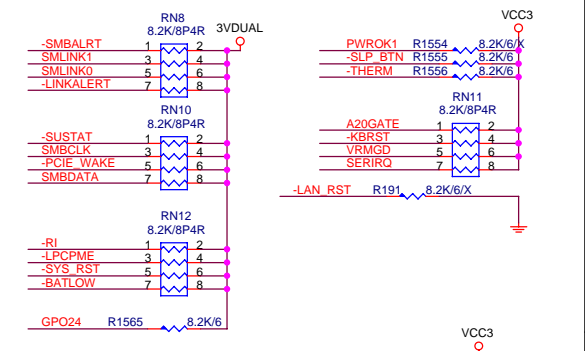
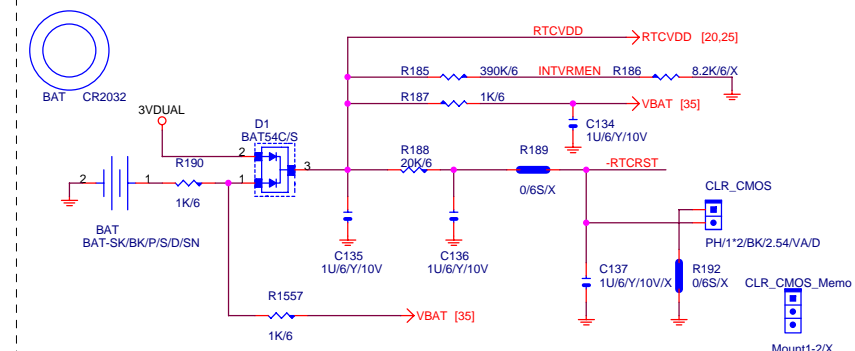


ICH7DH

U9C



ICH7DH

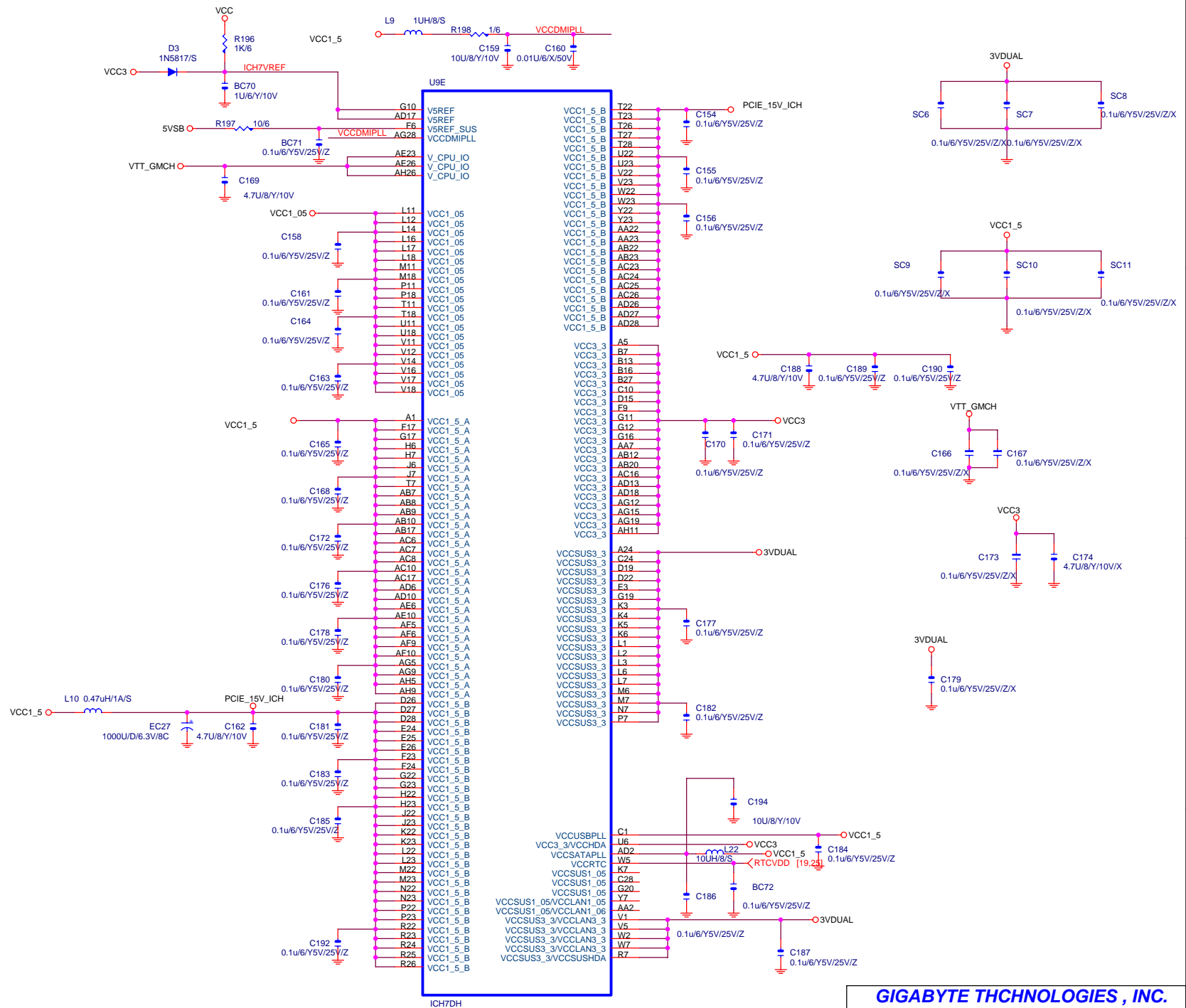


**GIGABYTE THCHNOLOGIES, INC.**

Title: ICH7-IDE, SATA, GPIO, CTRL

Size	Document Number	Rev
Custom	<b>81945GMH-RH</b>	<b>1.01</b>
Date:	Monday, January 02, 2006	Sheet 19 of 41

A4	VSS1	VSS101	R14
A23	VSS2	VSS102	R15
B1	VSS3	VSS103	R16
B8	VSS4	VSS104	R17
B11	VSS5	VSS105	R18
B14	VSS6	VSS106	T6
B17	VSS7	VSS107	T12
B20	VSS8	VSS108	T13
B26	VSS9	VSS109	T14
B28	VSS10	VSS110	T15
C2	VSS11	VSS111	T16
C6	VSS12	VSS112	T17
D10	VSS13	VSS113	U4
D13	VSS14	VSS114	U12
D18	VSS15	VSS115	U13
D21	VSS16	VSS116	U14
D24	VSS17	VSS117	U15
E1	VSS18	VSS118	U16
E2	VSS19	VSS119	U17
E8	VSS20	VSS120	U24
E15	VSS21	VSS121	U25
F3	VSS22	VSS122	U26
F4	VSS23	VSS123	Y2
F6	VSS24	VSS124	V13
F12	VSS25	VSS125	V15
F27	VSS26	VSS126	V24
F28	VSS27	VSS127	V27
G1	VSS28	VSS128	V28
G2	VSS29	VSS129	W6
G5	VSS30	VSS130	W24
G6	VSS31	VSS131	W25
G9	VSS32	VSS132	W26
G14	VSS33	VSS133	Y3
G18	VSS34	VSS134	Y24
G21	VSS35	VSS135	Y28
G24	VSS36	VSS136	AA1
G25	VSS37	VSS137	AA24
G26	VSS38	VSS138	AA24
H3	VSS39	VSS139	AA25
H4	VSS40	VSS140	AA26
H5	VSS41	VSS141	AB4
H24	VSS42	VSS142	AB6
H27	VSS43	VSS143	AB11
H28	VSS44	VSS144	AB14
J1	VSS45	VSS145	AB16
J2	VSS46	VSS146	AB19
J5	VSS47	VSS147	AB21
J24	VSS48	VSS148	AB21
J25	VSS49	VSS149	AB27
J26	VSS50	VSS150	AB28
K24	VSS51	VSS151	AC2
K27	VSS52	VSS152	AC5
K28	VSS53	VSS153	AC3
L13	VSS54	VSS154	AD1
L15	VSS55	VSS155	AD3
L24	VSS56	VSS156	AD4
L25	VSS57	VSS157	AD7
L26	VSS58	VSS158	AD8
M3	VSS59	VSS159	AD8
M4	VSS60	VSS160	AD15
M5	VSS61	VSS161	AD11
M12	VSS62	VSS162	AD19
M13	VSS63	VSS163	AD23
M14	VSS64	VSS164	AE2
M15	VSS65	VSS165	AE4
M16	VSS66	VSS166	AE8
M17	VSS67	VSS167	AE11
M24	VSS68	VSS168	AE13
M27	VSS69	VSS169	AE18
M28	VSS70	VSS170	AE21
N1	VSS71	VSS171	AE24
N2	VSS72	VSS172	AE25
N5	VSS73	VSS173	AF2
N6	VSS74	VSS174	AF4
N11	VSS75	VSS175	AF8
N12	VSS76	VSS176	AF11
N13	VSS77	VSS177	AF27
N14	VSS78	VSS178	AF28
N15	VSS79	VSS179	AG1
N16	VSS80	VSS180	AG3
N17	VSS81	VSS181	AG7
N18	VSS82	VSS182	AG14
N24	VSS83	VSS183	AG17
N25	VSS84	VSS184	AG20
N26	VSS85	VSS185	AG25
P3	VSS86	VSS186	AH1
P4	VSS87	VSS187	AH3
P12	VSS88	VSS188	AH7
P13	VSS89	VSS189	AH12
P14	VSS90	VSS190	AH23
P15	VSS91	VSS191	AH27
P16	VSS92	VSS192	C27
P17	VSS93	VSS193	E4
P24	VSS94	VSS194	AG11
P27	VSS95		
P28	VSS96		
R1	VSS97		
R11	VSS98		
R12	VSS99		
R13	VSS100		

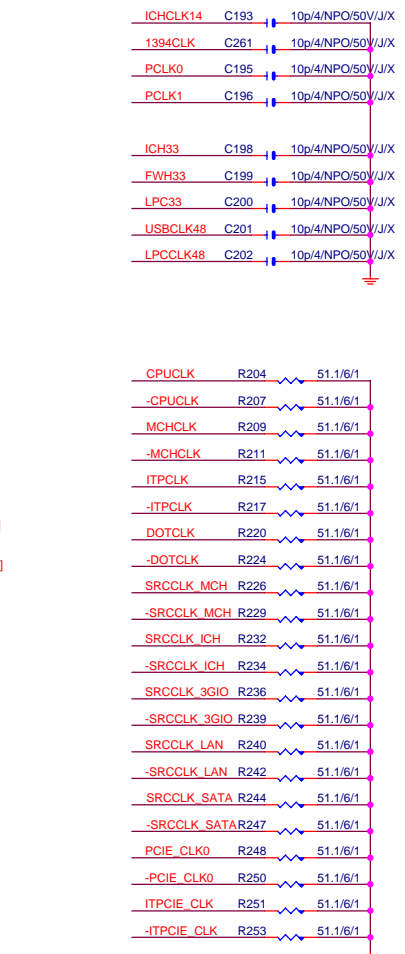
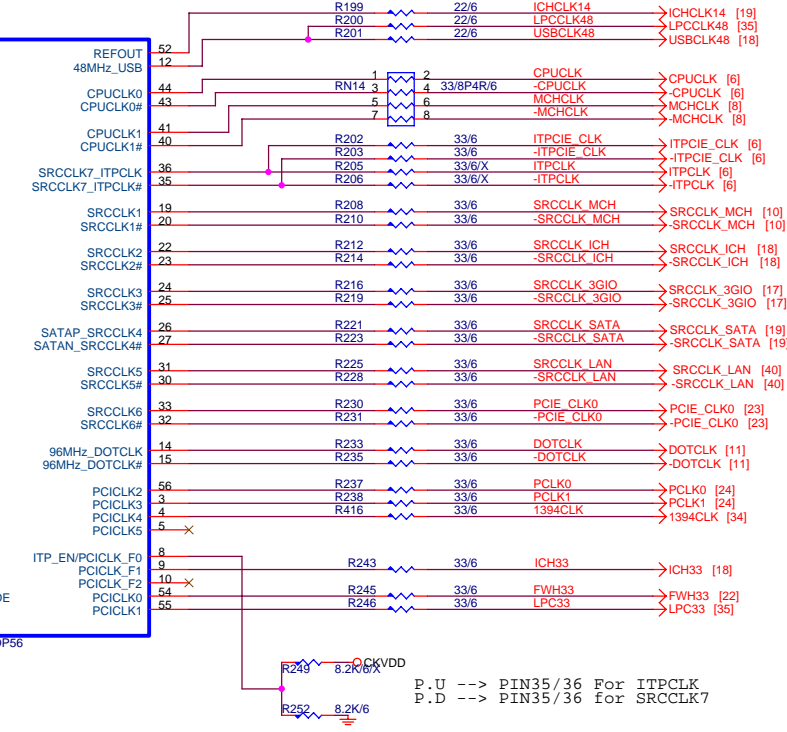
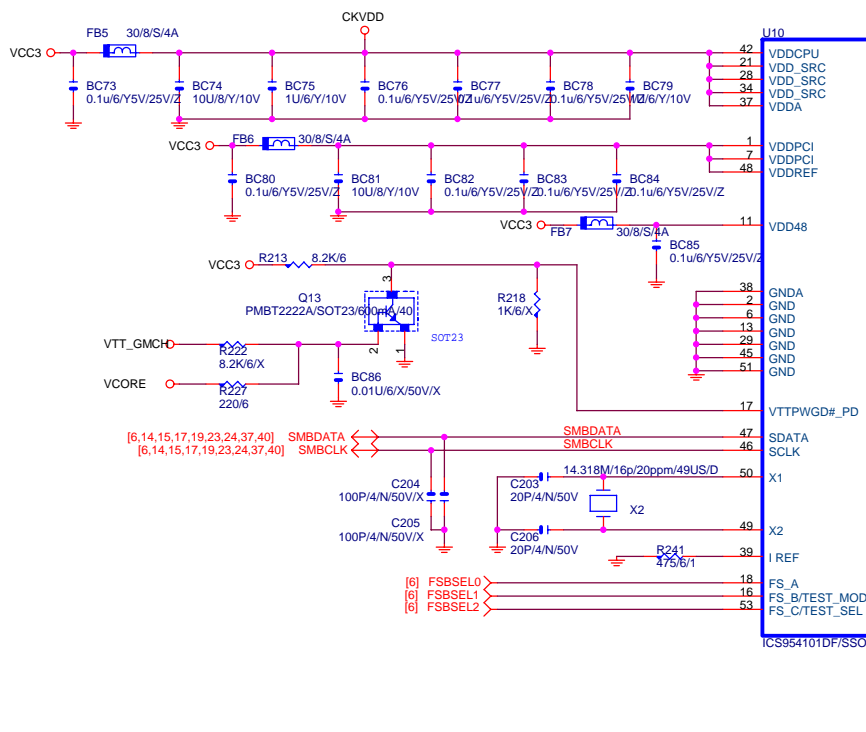


**GIGABYTE THCHNOLOGIES, INC.**

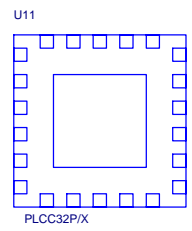
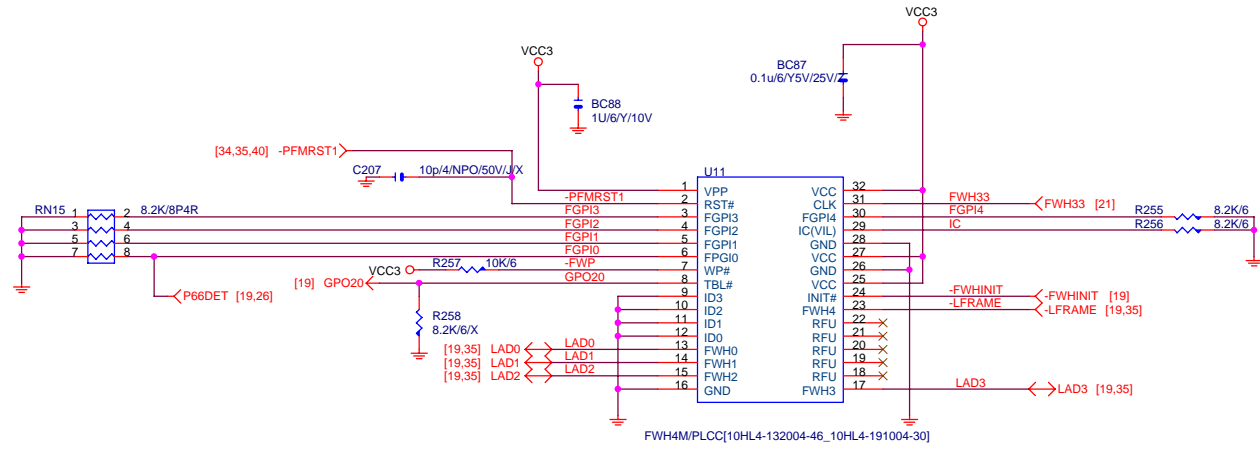
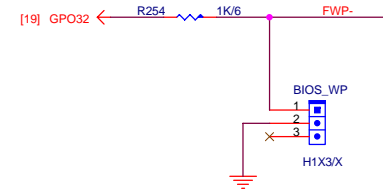
Title: **ICH7-PWR & GND**

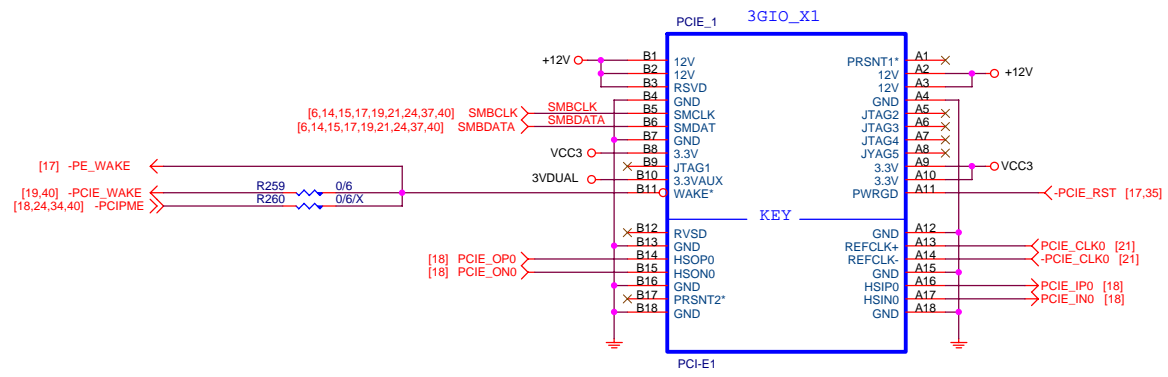
Size: B Document Number: **81945GMH-RH** Rev: **1.01**

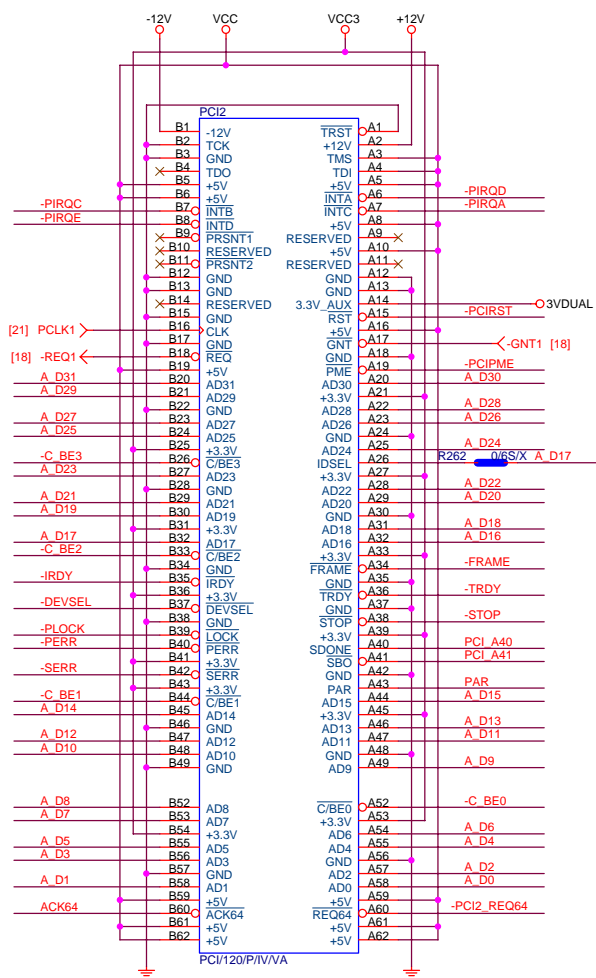
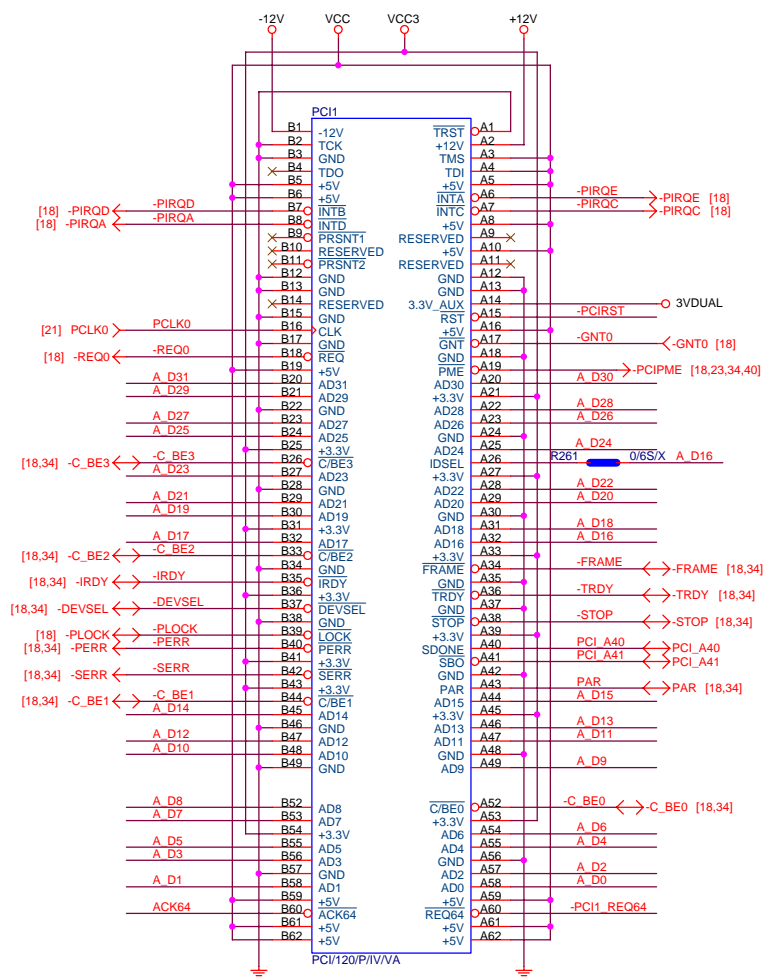
Date: Monday, January 02, 2006 Sheet: 20 of 41



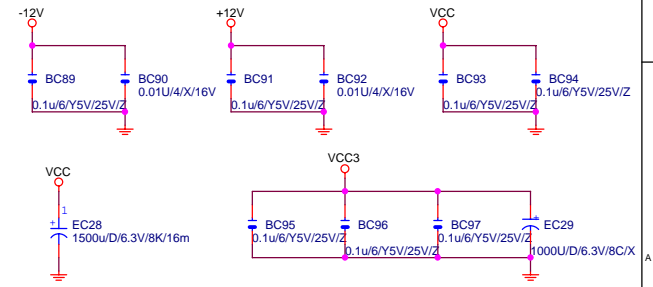
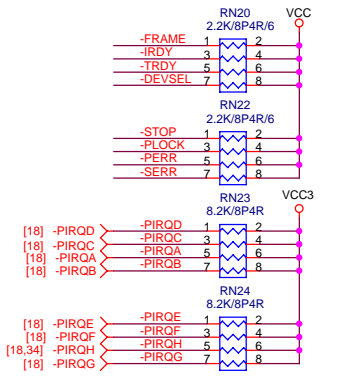
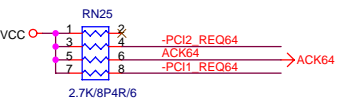
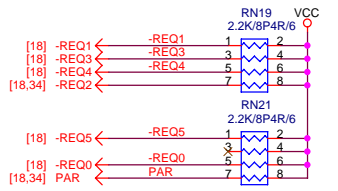
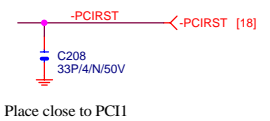
P.U --> PIN35/36 For ITPCLK  
P.D --> PIN35/36 for SRCCLK7







[18,34] A\_D[0..31] ↔ A\_D[0..31]

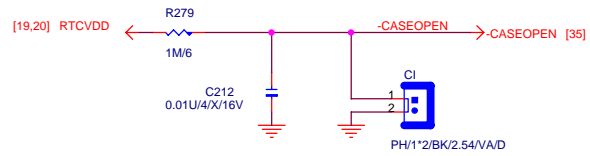
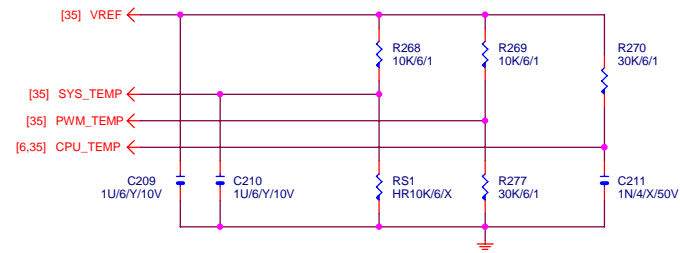


**GIGABYTE THCHNOLOGIES, INC.**

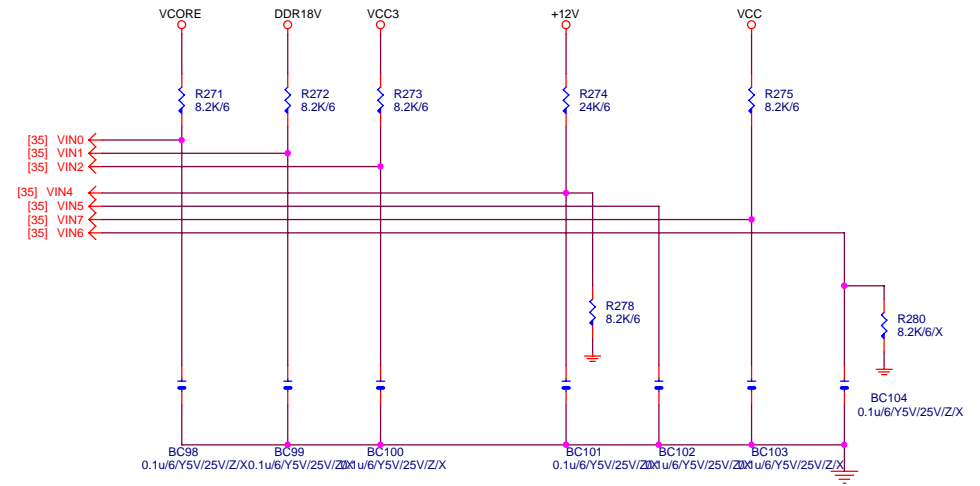
**PCI SLOT 1, 2**

Title		Rev <b>1.01</b>
Size B		
Document Number <b>81945GMH-RH</b>		
Date:	Monday, January 02, 2006	Sheet 24 of 41



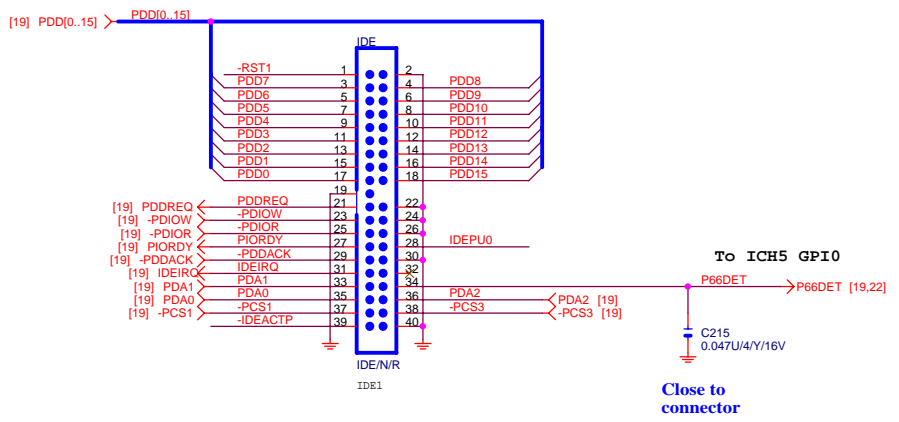
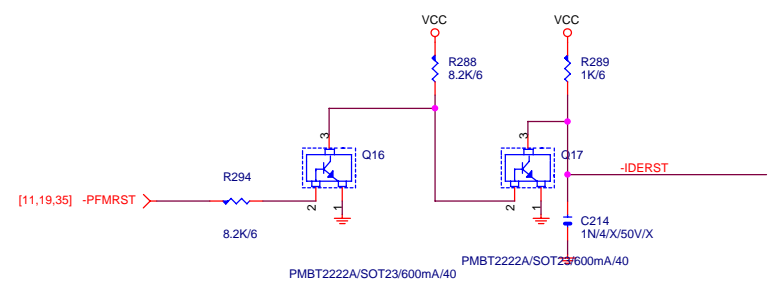
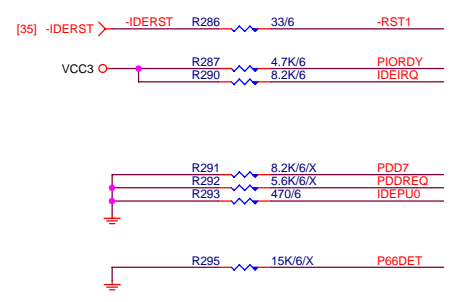
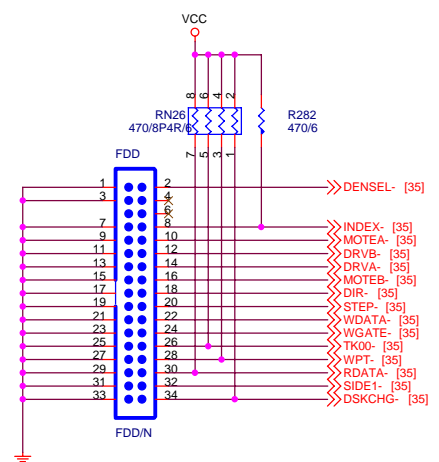
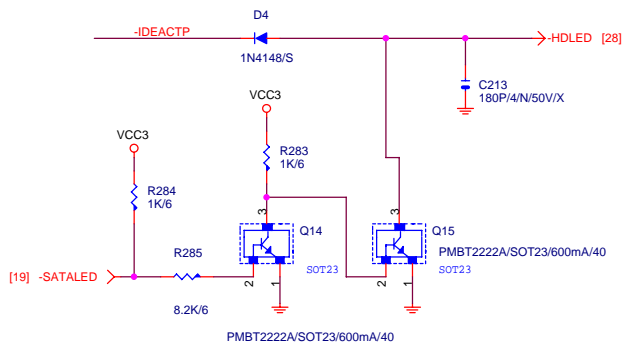


Case Open Circuits

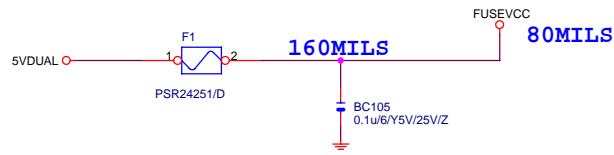


**GIGABYTE THCNOLOGIES, INC.**

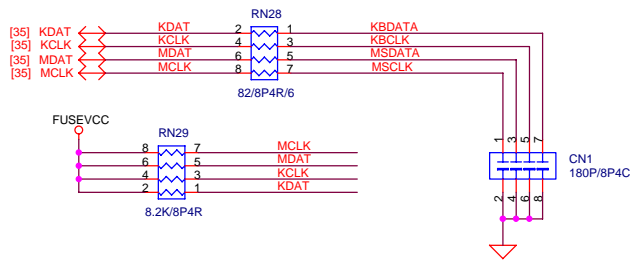
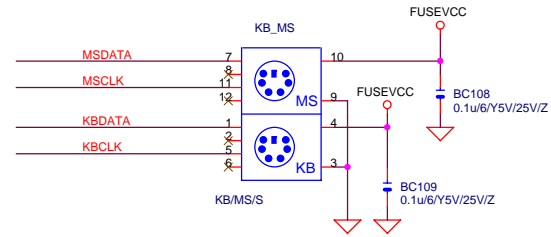
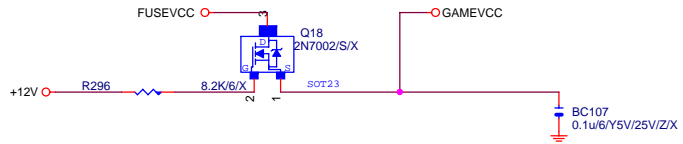
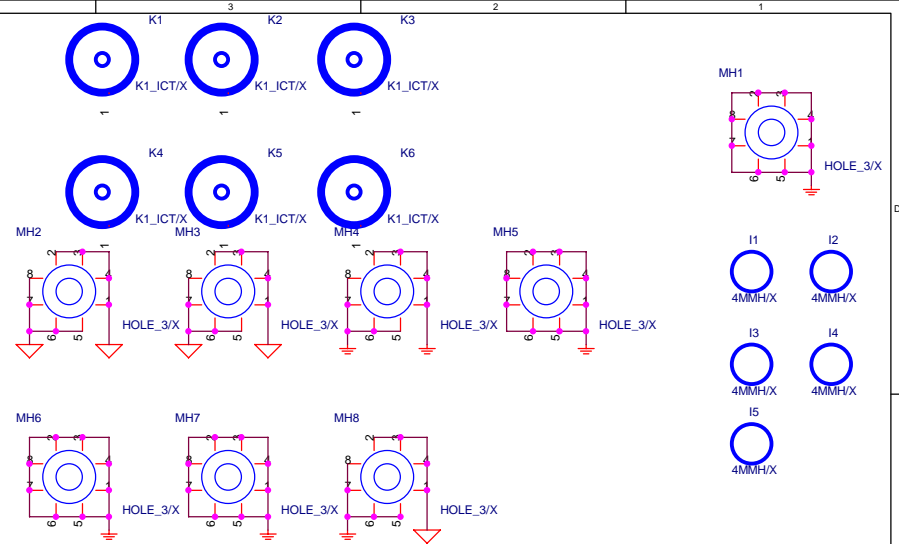
Title		
HARDWARE MONITOR		
Size	Document Number	Rev
B	81945GMH-RH	1.01
Date:	Monday, January 02, 2006	Sheet 25 of 41



PRIMARY IDE CONNECTOR

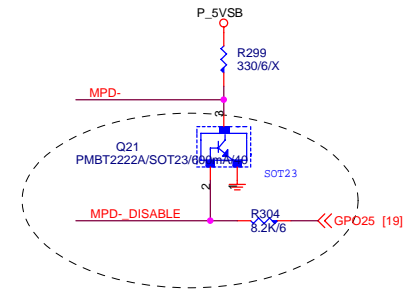
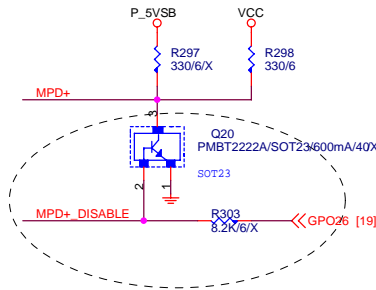
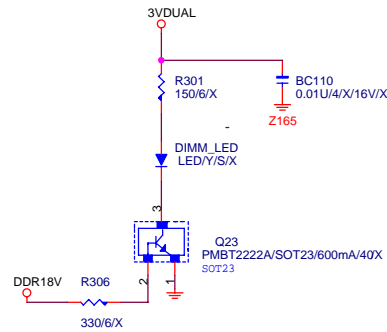
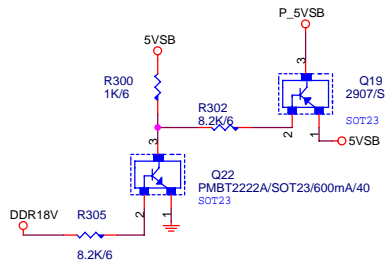


240MILS



**GIGABYTE THCHNOLOGIES, INC.**

Title		<b>KB &amp; PS2 MOUSE &amp; IR</b>	
Size	Document Number	<b>8I945GMH-RH</b>	Rev
B			<b>1.01</b>
Date:	Monday, January 02, 2006	Sheet	27 of 41

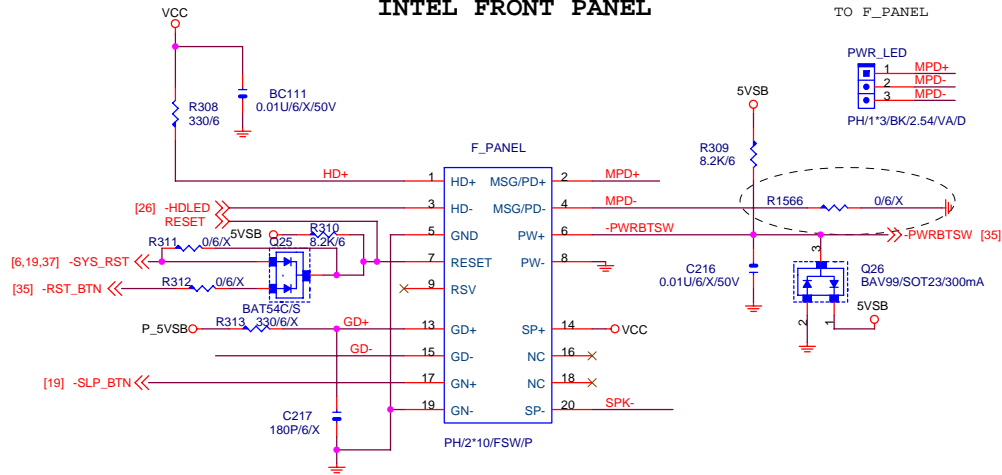
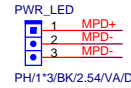


PREVENT S0 W/O CPU, GREEN IS ON.

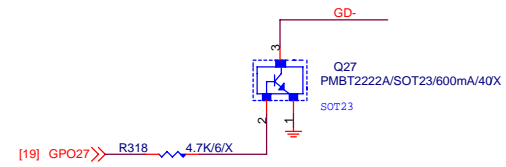
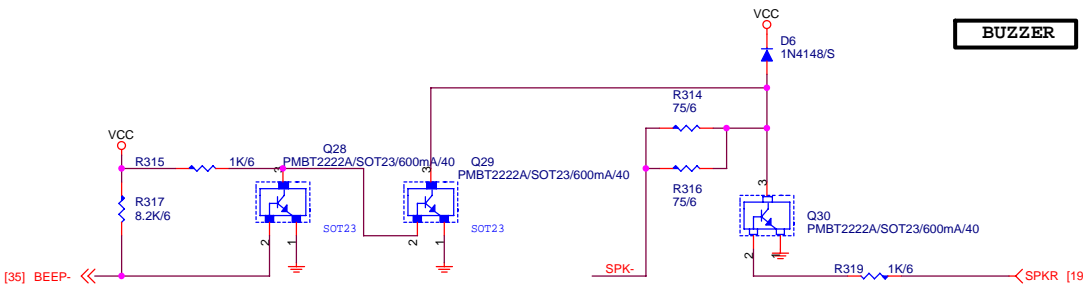


### INTEL FRONT PANEL

3 PIN POWER LED LAYOUT PLACE CLOSE TO F\_PANEL



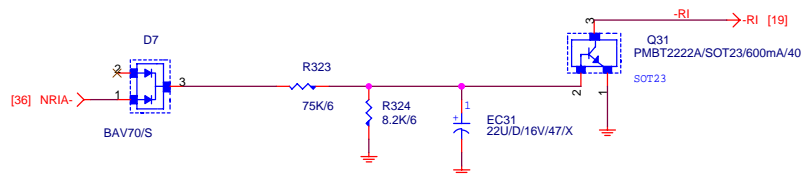
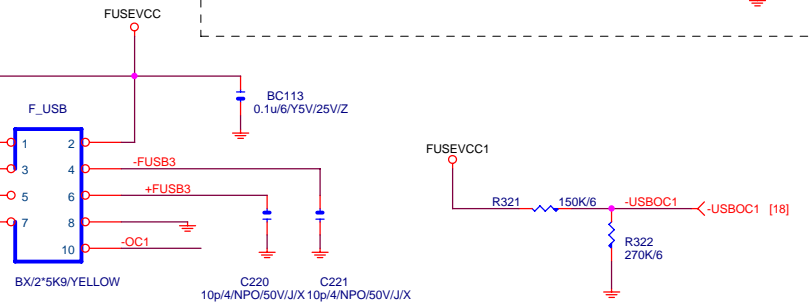
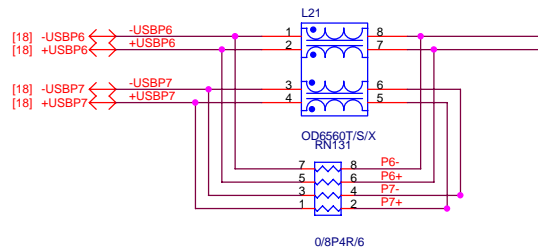
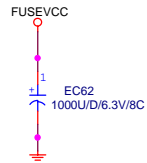
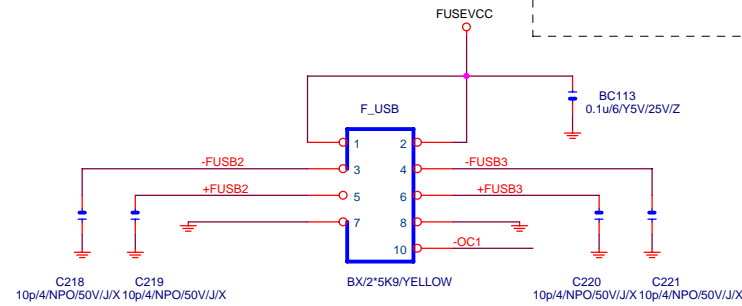
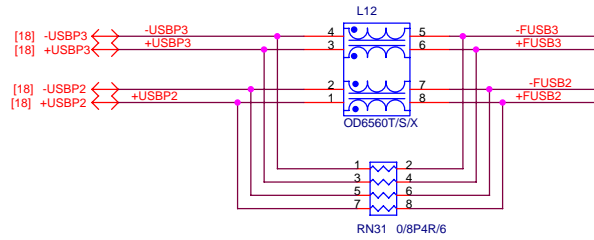
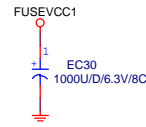
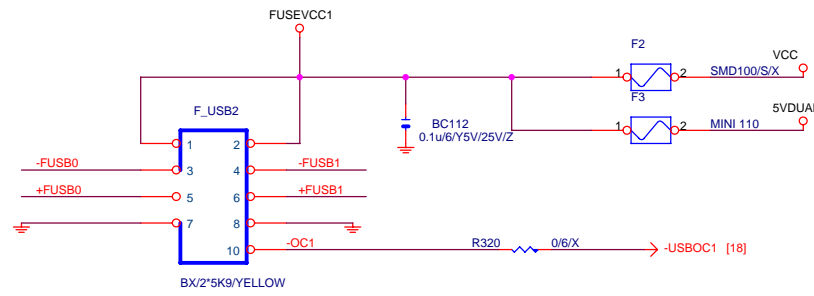
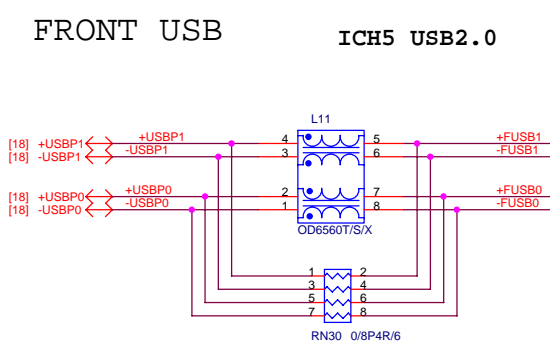
### BUZZER



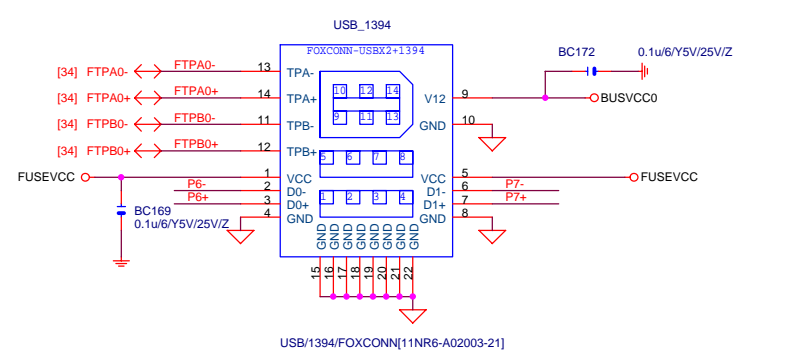
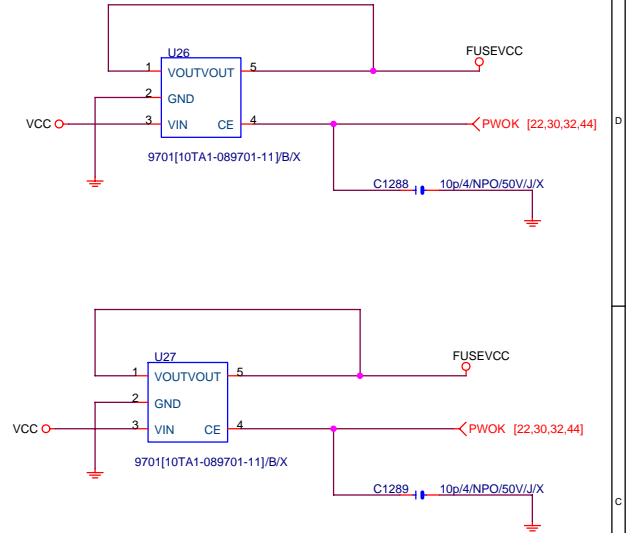
<b>GIGABYTE THCNLOGIES , INC.</b>		
Title <b>FRONT PANEL</b>		
Size Custom	Document Number <b>8I945GMH-RH</b>	Rev <b>1.01</b>
Date:	Monday, January 02, 2006	Sheet 28 of 41

# FRONT USB

## ICH5 USB2.0



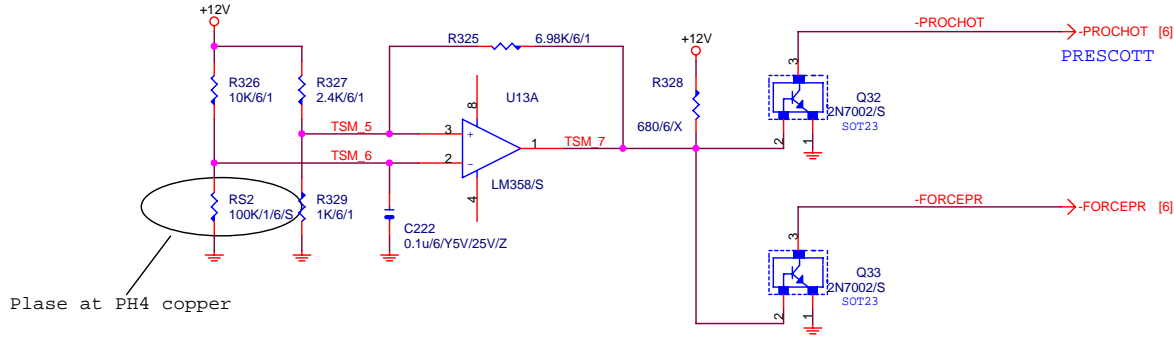
# CLOSE REAR USB



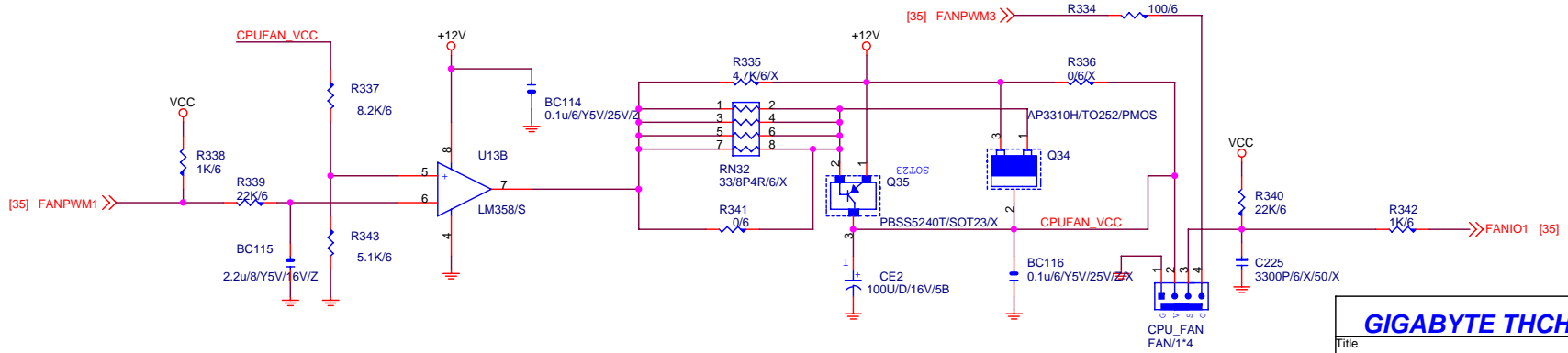
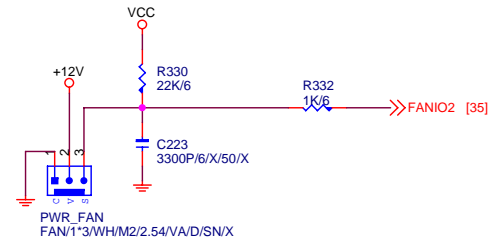
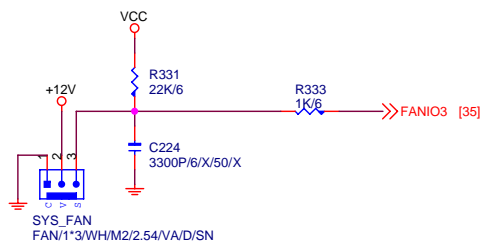
<b>GIGABYTE THCHNOLOGIES, INC.</b>			
Title			
<b>FRONT USB CONNECTOR</b>			
Size	Document Number	<b>81945GMH-RH</b>	Rev
B			<b>1.01</b>
Date:	Monday, January 02, 2006	Sheet	29 of 41

asserted at 131 degree  
deasserted at 116 degree

RS2 CLOSE CPU VR MOSFET

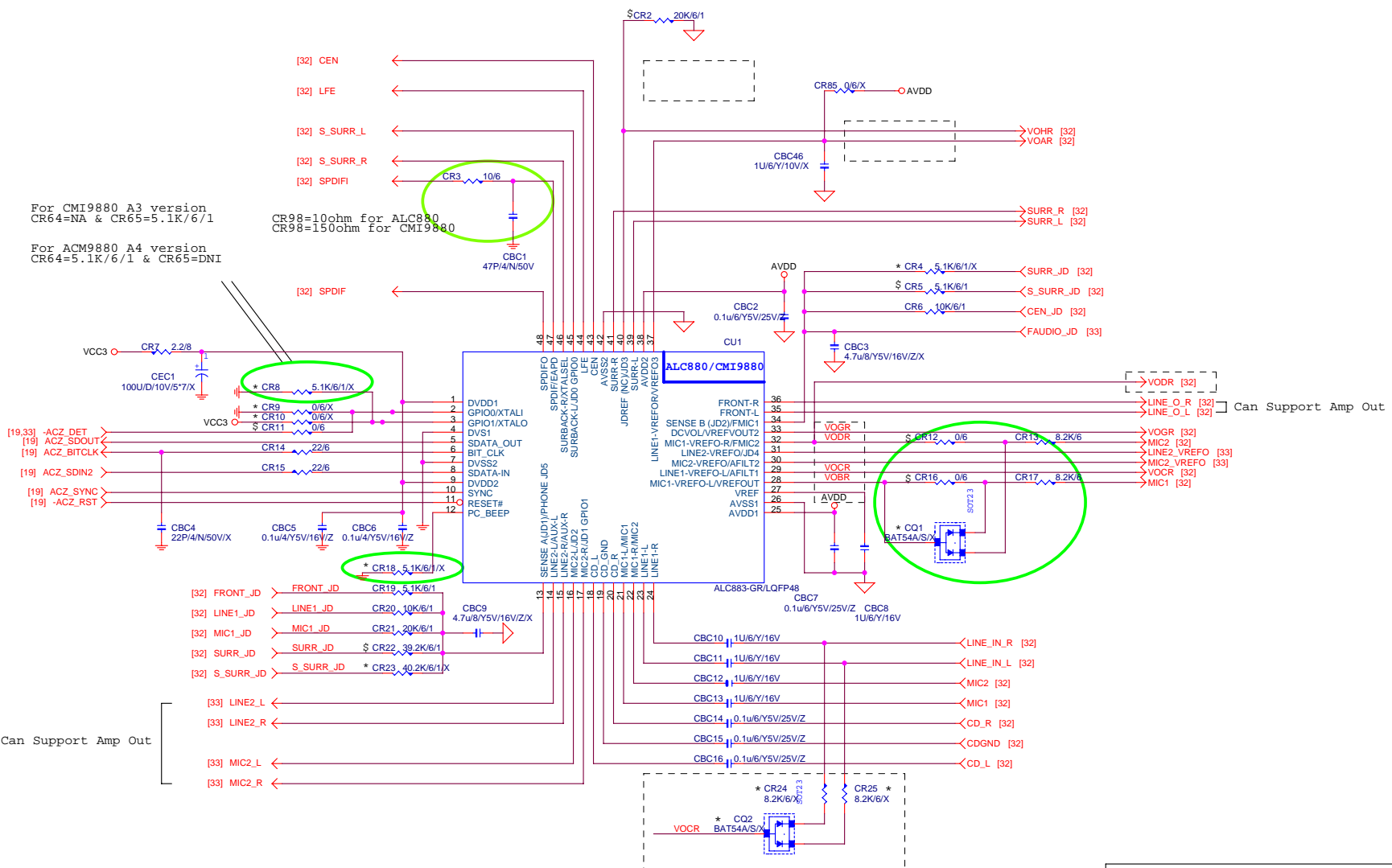


Plase at PH4 copper



<b>GIGABYTE THCHNOLOGIES, INC.</b>		
<b>FAN CONTROL</b>		
Size B	Document Number	Rev 1.01
<b>8I945GMH-RH</b>		
Date:	Monday, January 02, 2006	Sheet 30 of 41

"\$" means for ALC880 only  
 "\*" means for CMI9880 only



For CMI9880 A3 version  
 CR64=NA & CR65=5.1K/6/1  
 For ACM9880 A4 version  
 CR64=5.1K/6/1 & CR65=DNI

CR98=10ohm for ALC880  
 CR98=150ohm for CMI9880

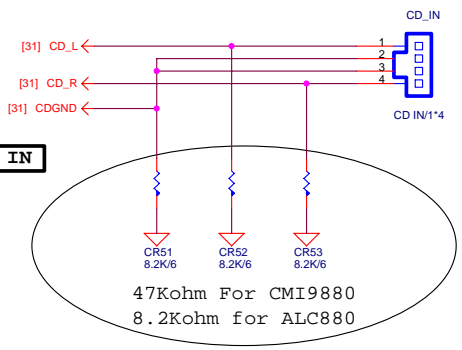
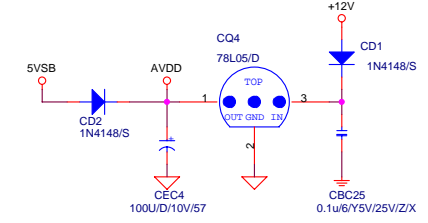
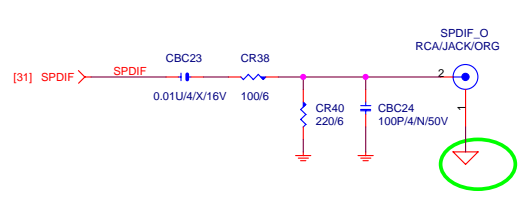
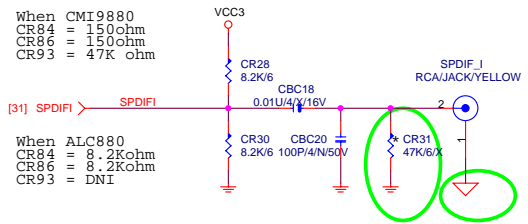
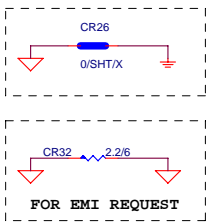
[19.33] -ACZ\_DET  
 [19] ACZ\_SDOUT  
 [19] ACZ\_BITCLK  
 [19] ACZ\_SDIN2  
 [19] ACZ\_SYNC  
 [19] -ACZ\_RST

[32] FRONT\_JD > FRONT\_JD CR19\_5.1K/6/1  
 [32] LINE1\_JD > LINE1\_JD CR20\_10K/6/1  
 [32] MIC1\_JD > MIC1\_JD CR21\_20K/6/1  
 [32] S\_SURR\_JD > S\_SURR\_JD \$ CR22\_39.2K/6/1  
 [32] S\_SURR\_L > S\_SURR\_L \* CR23\_40.2K/6/1X

[33] LINE2\_L <  
 [33] LINE2\_R <  
 [33] MIC2\_L <  
 [33] MIC2\_R <

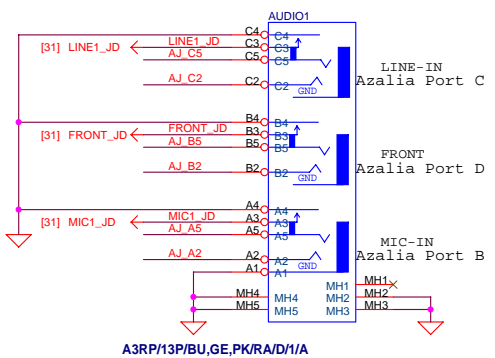
Can Support Amp Out

GIGABYTE THCHNOLOGIES , INC.			
Title	AC97 ALC658		
Size	Document Number	81945GMH-RH	Rev 1.0
Customer			
Date:	Monday, January 02, 2006	Sheet	31 of 41

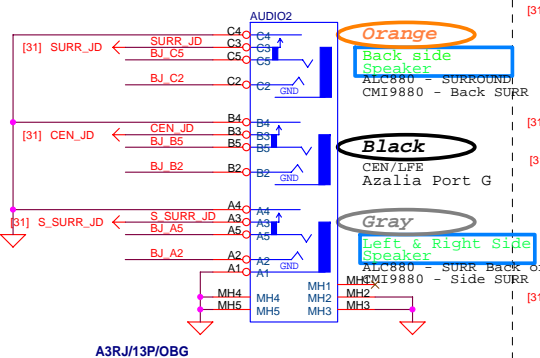


Azalia Jack  
Normal --> pin4/pin3 open  
Plug jack --> pin4/pin3 close

CMI9880 Port A is Side SURROUND, Port H is Back SURROUND  
ALC880 Port A is SURROUND, Port H is SIDE

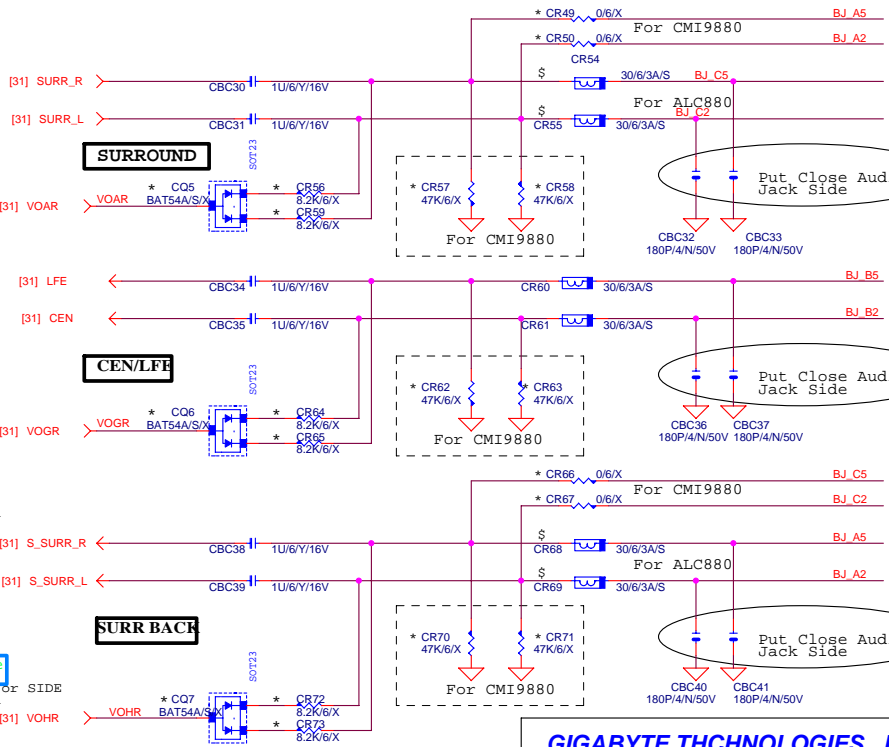
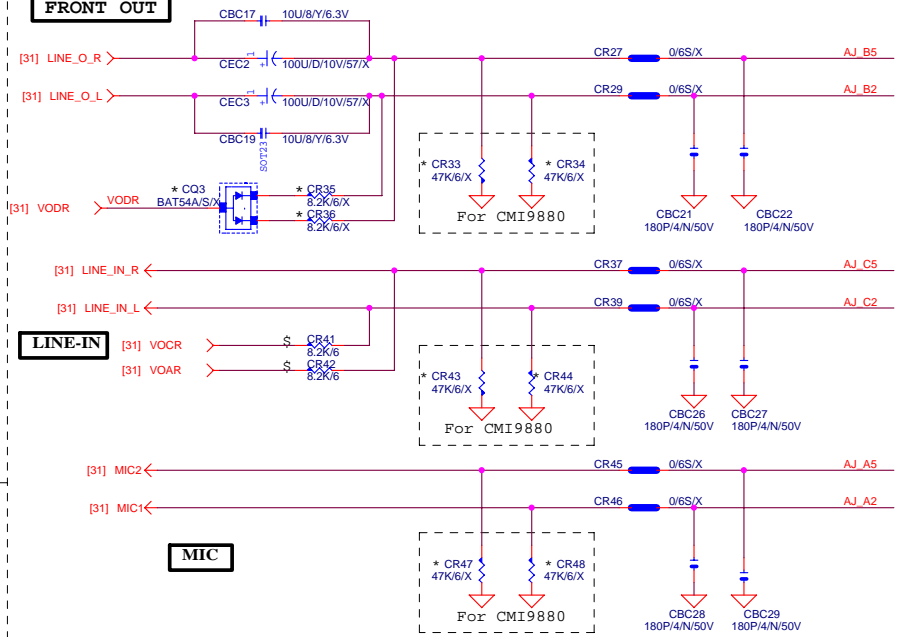


A3RP/13P/BU,GE,PK/RAD/1/A



A3RJ/13P/OBG

LINE OUT FRONT OUT



**GIGABYTE THCHNOLOGIES, INC.**

Title: **AUDIO JACK**

Size Custom: Document Number **81945GMH-RH**

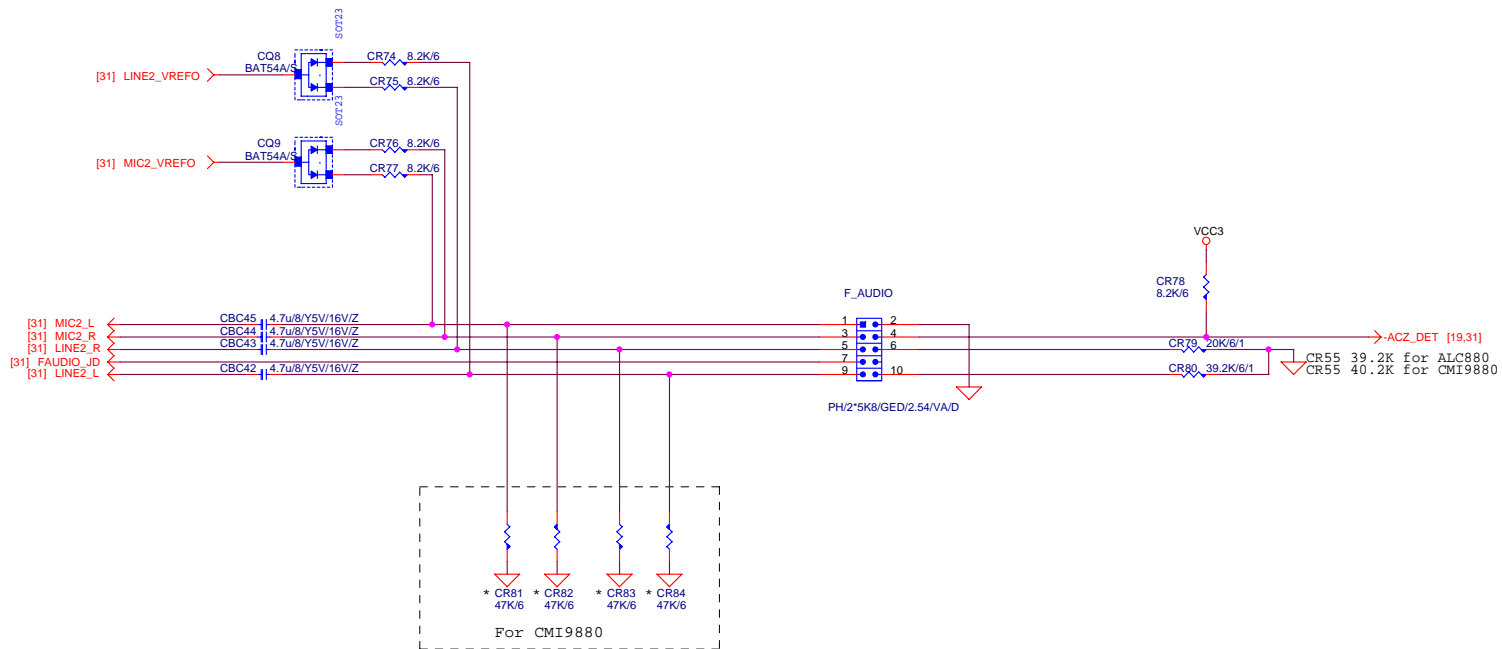
Date: Monday, January 02, 2006

Sheet 32 of 41

Rev 1.01

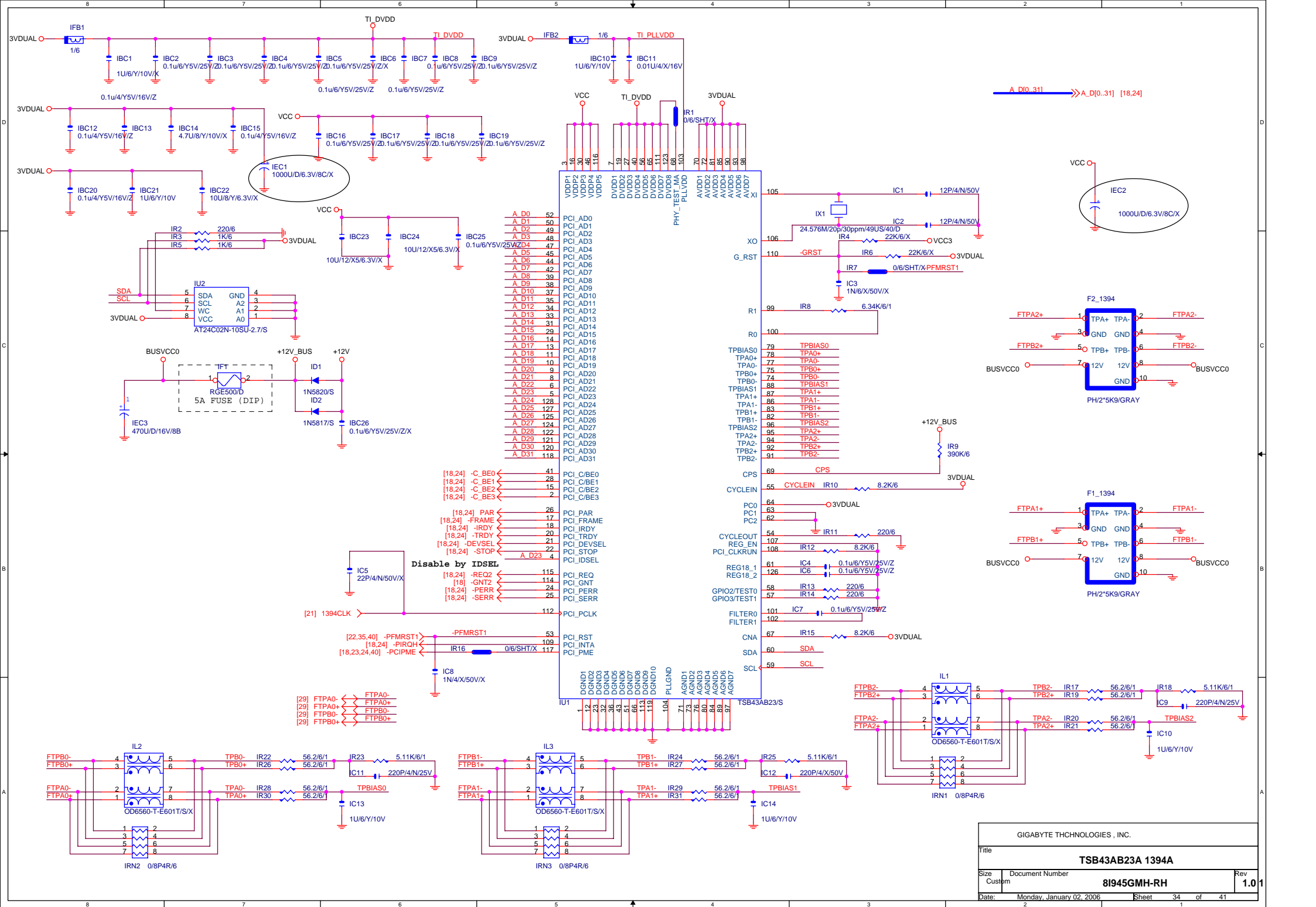


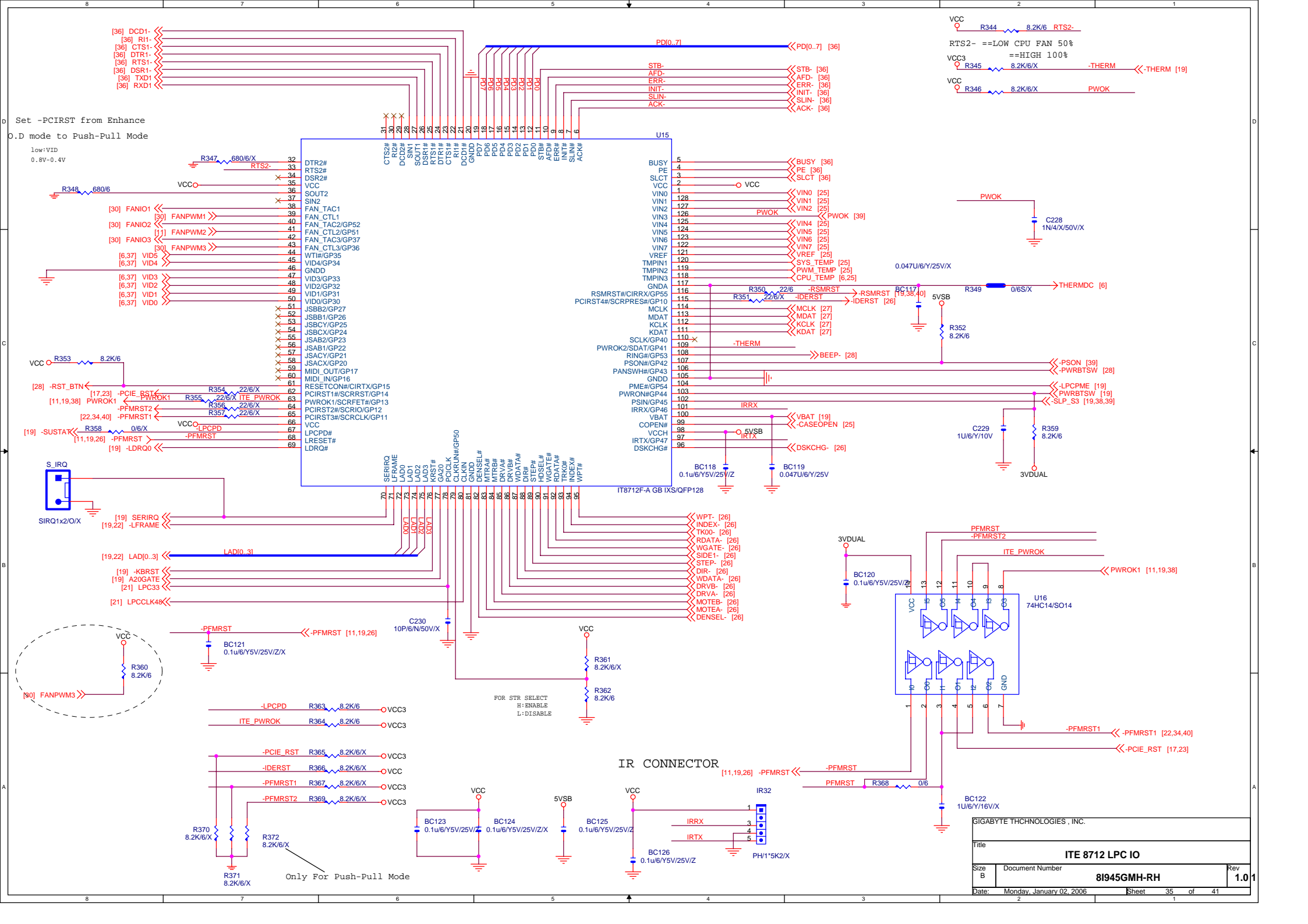
Azalia Port F  
Azalia Port E



**GIGABYTE THCNOLOGIES , INC.**

Title		<b>FRONT AUDIO CONNECTOR</b>	
Size	Document Number	<b>8I945GMH-RH</b>	
Custom		Rev	<b>1.0</b>
Date:	Monday, January 02, 2006	Sheet	33 of 41





Set -PCIRST from Enhance  
D.D mode to Push-Pull Mode

low:VID  
0.8V-0.4V

[30] FANIO1 << FANPWM1 >>  
[30] FANIO2 << FANPWM2 >>  
[30] FANIO3 << FANPWM3 >>  
[6.37] VID5 << WT#/GP35 >>  
[6.37] VID4 << VID4/GP34 >>  
[6.37] VID3 << VID3/GP33 >>  
[6.37] VID2 << VID2/GP32 >>  
[6.37] VID1 << VID1/GP31 >>  
[6.37] VID0 << VID0/GP30 >>

[28] -RST\_BTN << -PCIE\_RST >>  
[11,19,38] PWROK1 << PWROK1 >>  
[22,34,40] -PFMRST2 << -PFMRST2 >>  
[19] -SUSTAK << -PFMRST1 >>  
[19] -LDRQ0 << -LDRQ0 >>

[19] SERIRQ << SERIRQ >>  
[19,22] -LFRAME << -LFRAME >>  
[19,22] LAD[0..3] << LAD[0..3] >>  
[19] -KBRST << -KBRST >>  
[19] A2OGATE << A2OGATE >>  
[21] LPC33 << LPC33 >>  
[21] LPCCLK48 << LPCCLK48 >>

-PFMRST << -PFMRST [11,19,26] >>  
-LPCPD << -LPCPD >>  
ITE\_PWROK << ITE\_PWROK >>

-PCIE\_RST << -PCIE\_RST >>  
-IDERST << -IDERST >>  
-PFMRST1 << -PFMRST1 >>  
-PFMRST2 << -PFMRST2 >>

Only For Push-Pull Mode

VCC << R344 8.2K/6 RTS2- >>  
RTS2- ==LOW CPU FAN 50%  
==HIGH 100%  
VCC3 << R345 8.2K/6/X -THERM >>  
VCC << R346 8.2K/6/X PWOK >>

PWOK << C228 1N4/X/50V/X >>

0.047U/6/Y/25V/X << THERMDC [6] >>

5VSB << R352 8.2K/6 >>

C229 1U/6/Y/10V << 3VDUAL >>

3VDUAL << BC120 0.1u/6/Y/5V/25V/Z >>

ITE\_PWROK << PWROK1 [11,19,38] >>

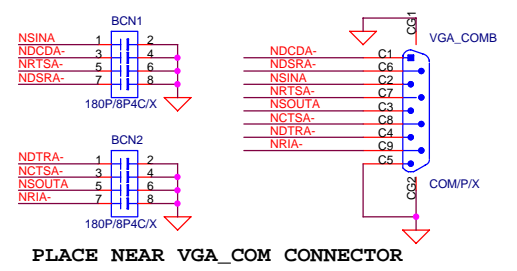
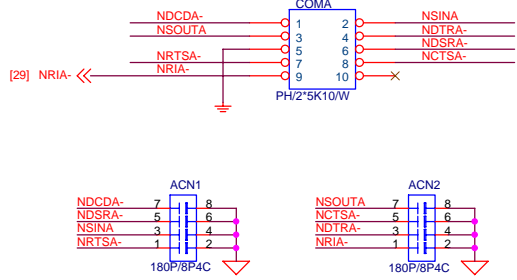
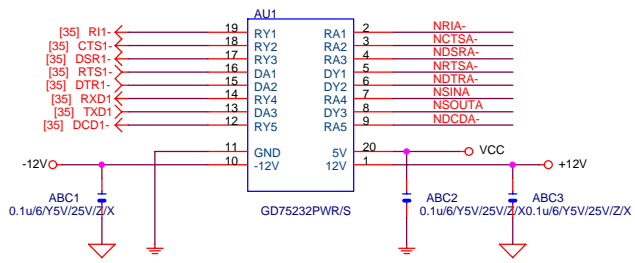
-PFMRST1 << -PFMRST1 [22,34,40] >>  
-PCIE\_RST << -PCIE\_RST [17,23] >>

FOR STR SELECT  
H:ENABLE  
L:DISABLE

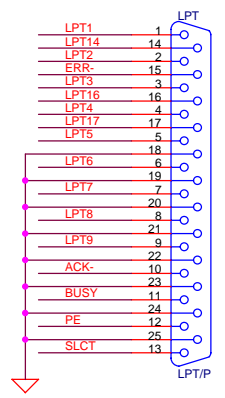
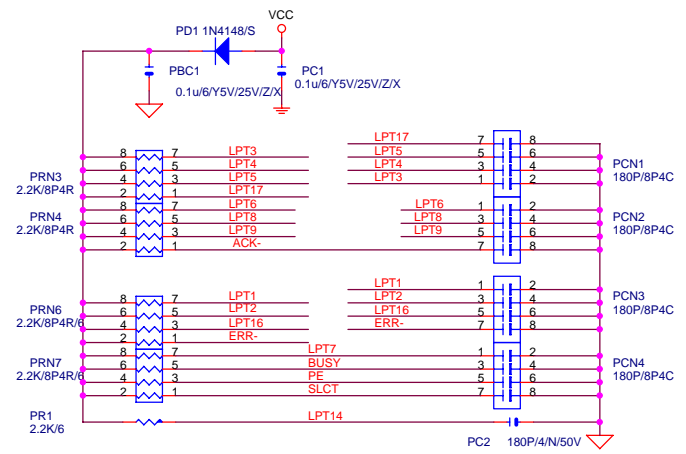
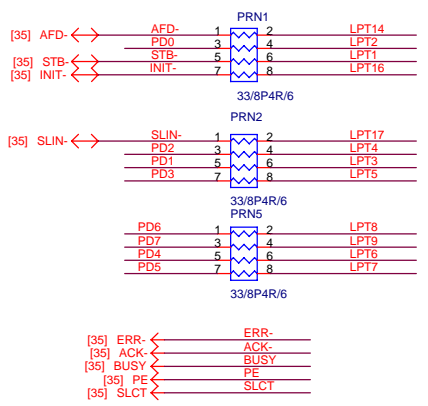
IR CONNECTOR

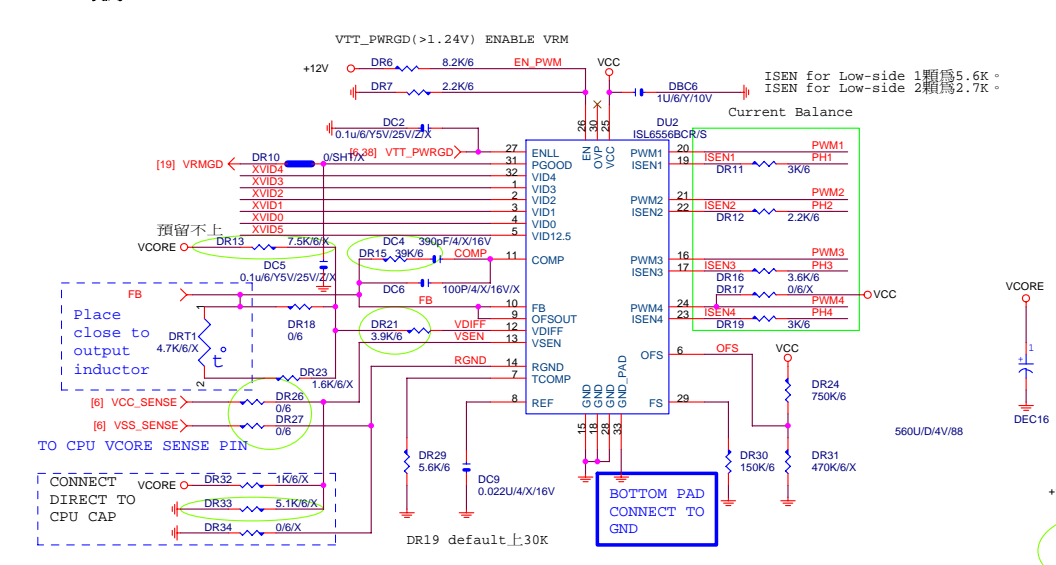
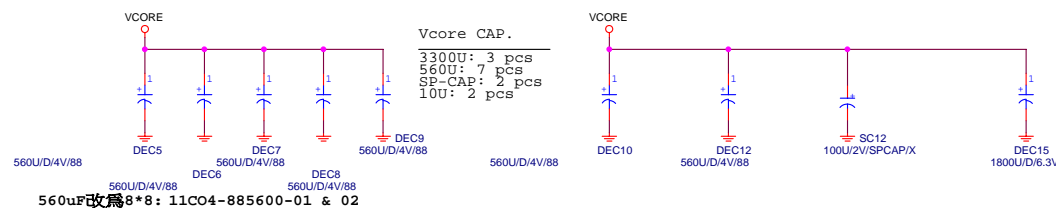
IR32 << PH1\*5K2/X >>  
IRRX << IRRX >>  
IRTX << IRTX >>

GIGABYTE TECHNOLOGIES, INC.		
Title		
ITE 8712 LPC IO		
Size	Document Number	Rev
B	81945GMH-RH	1.01
Date:	Monday, January 02, 2006	Sheet 35 of 41

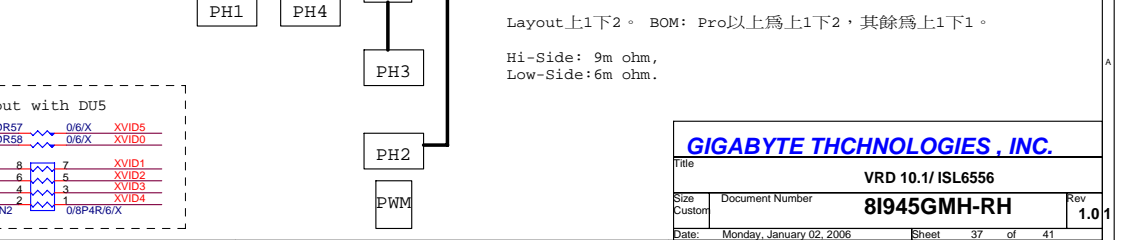
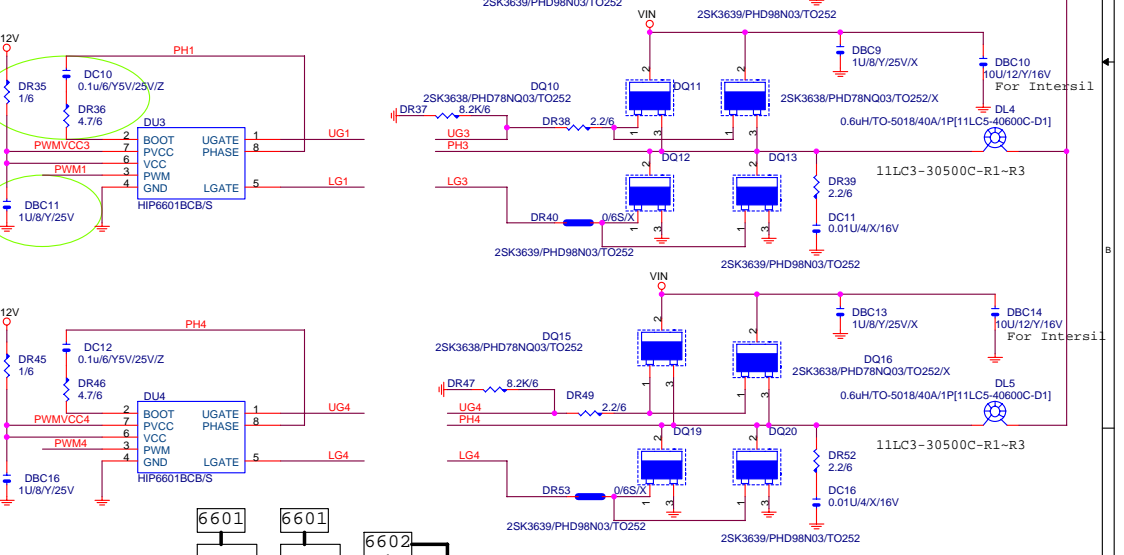
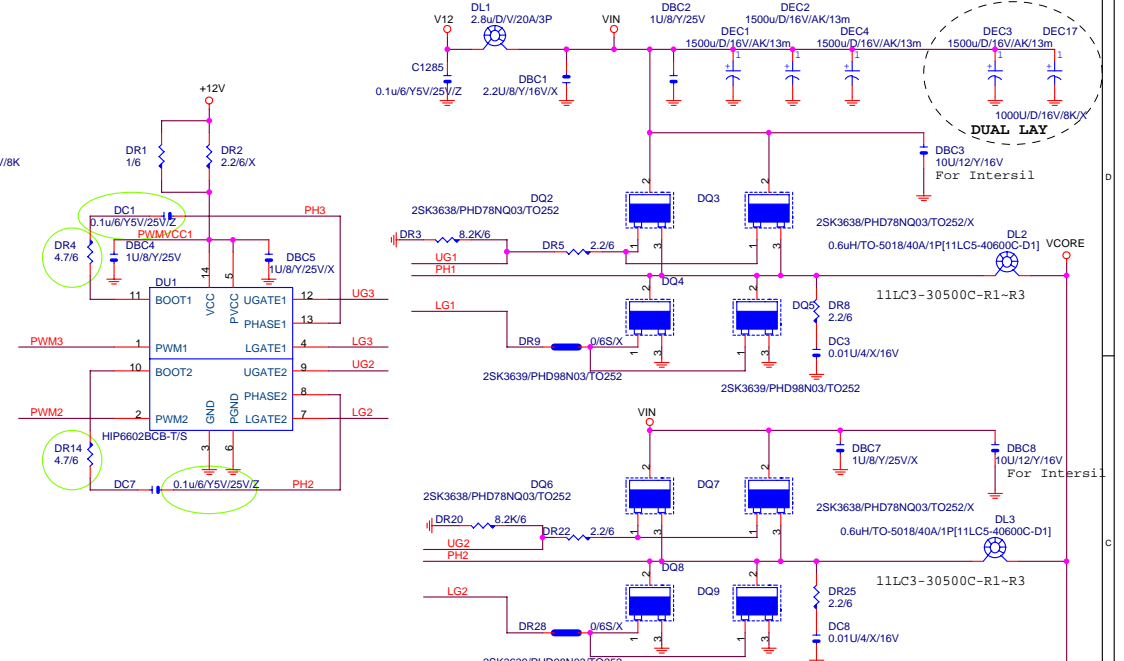
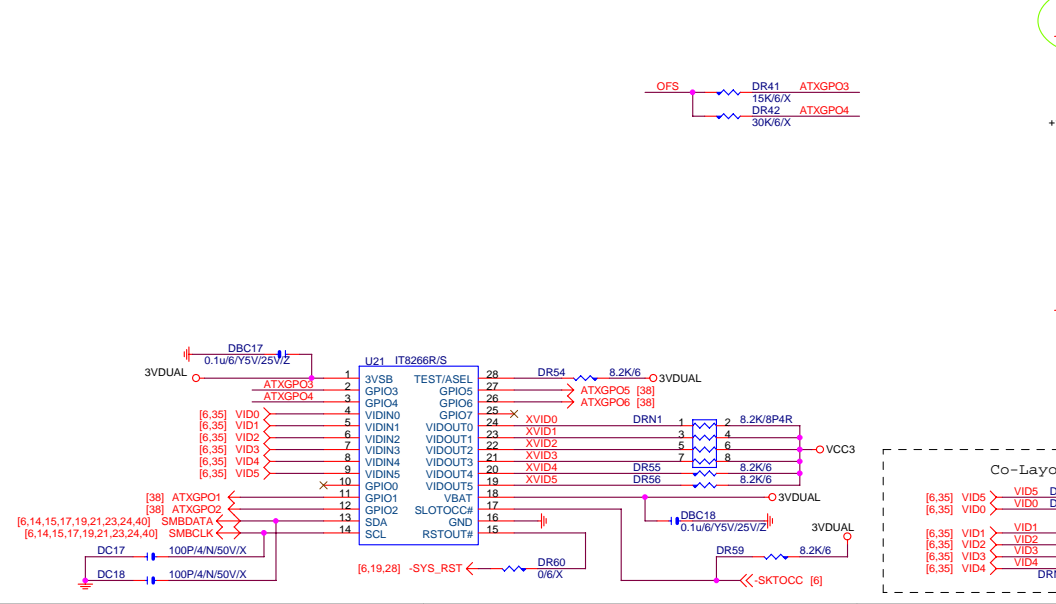


[35] PD[0..7] ↔ PD[0..7]



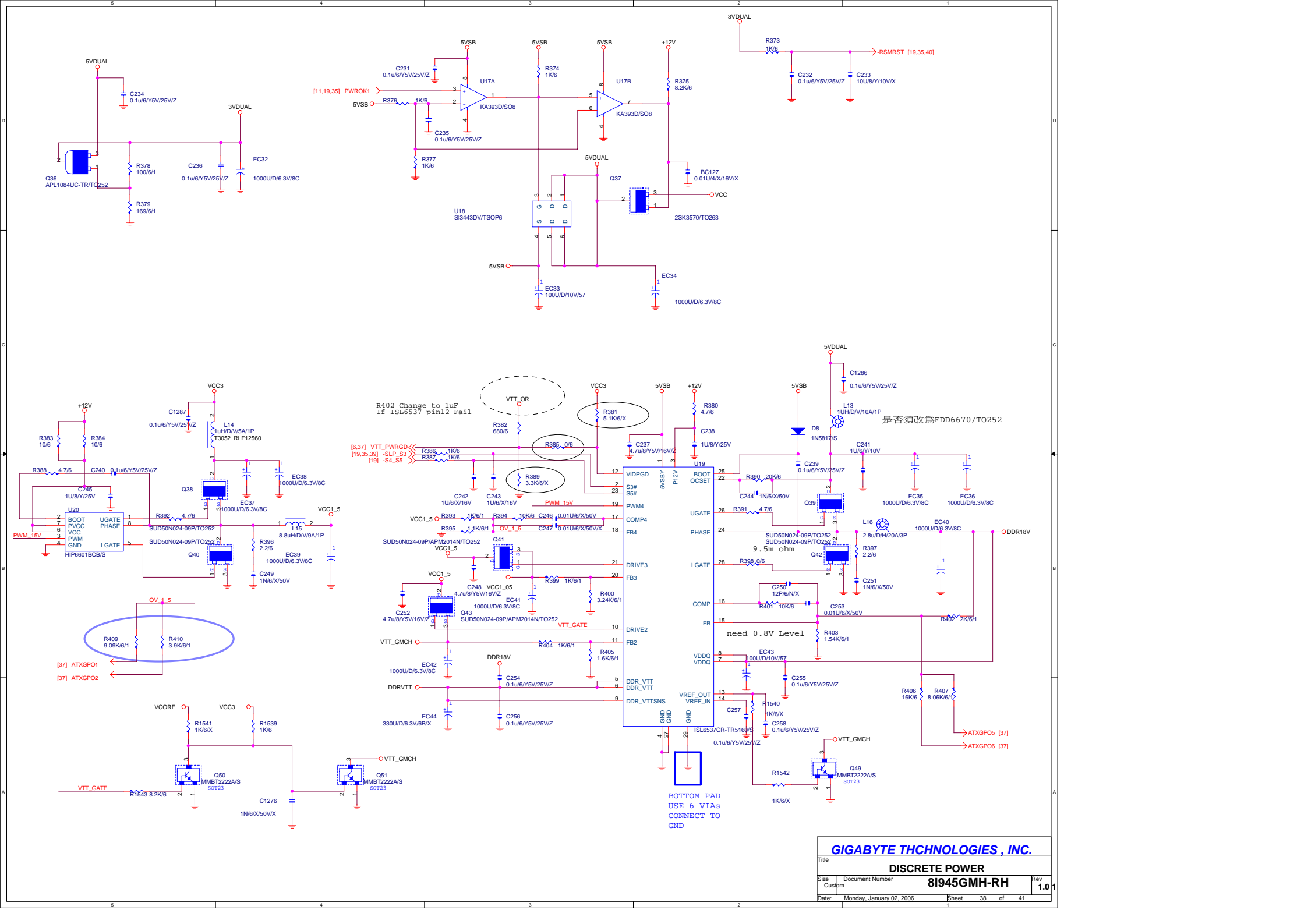


For LoadLine Test: (93.04.23)  
 DR19-->39K, DR26-->4.3K

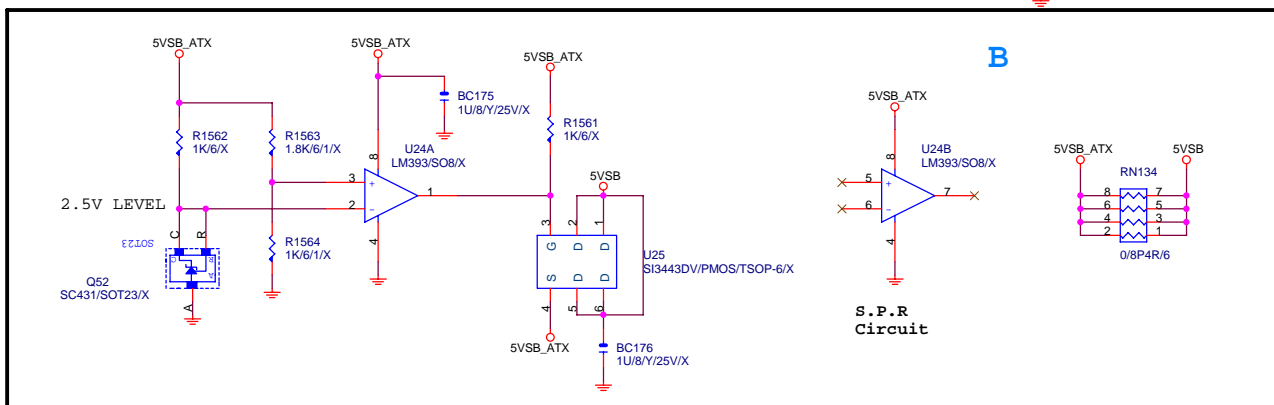
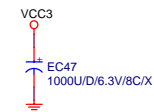
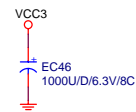
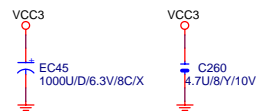
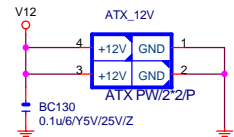
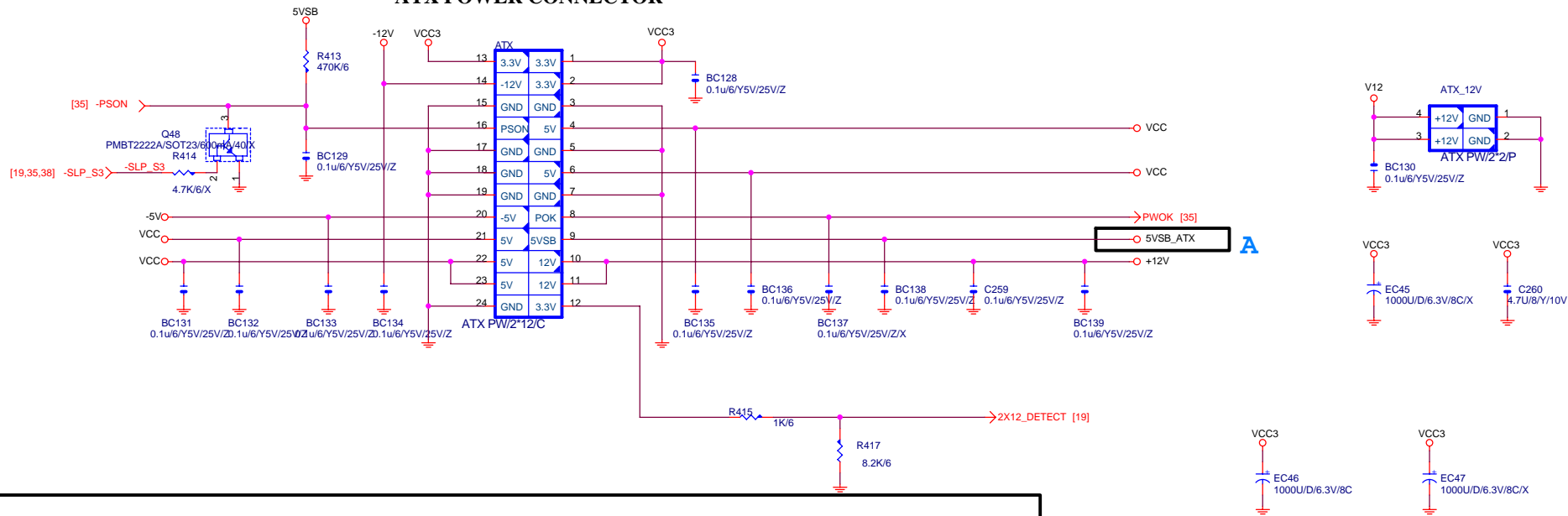


GIGABYTE THCNLOGIES, INC.

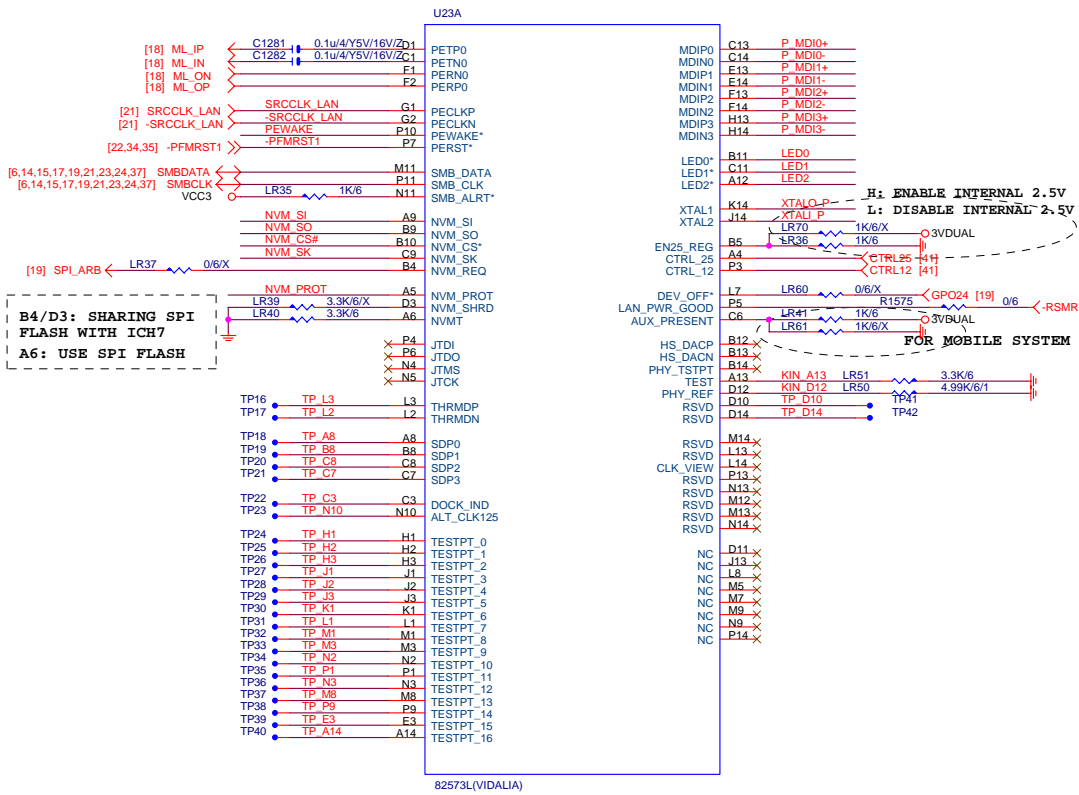
Title		VRD 10.1/ ISL6556	
Size	Document Number	81945GMH-RH	
Custom		Rev 1.01	
Date:	Monday, January 02, 2006	Sheet	37 of 41



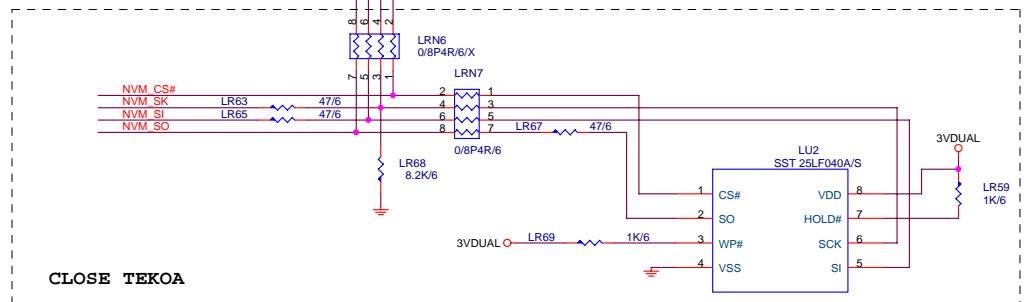
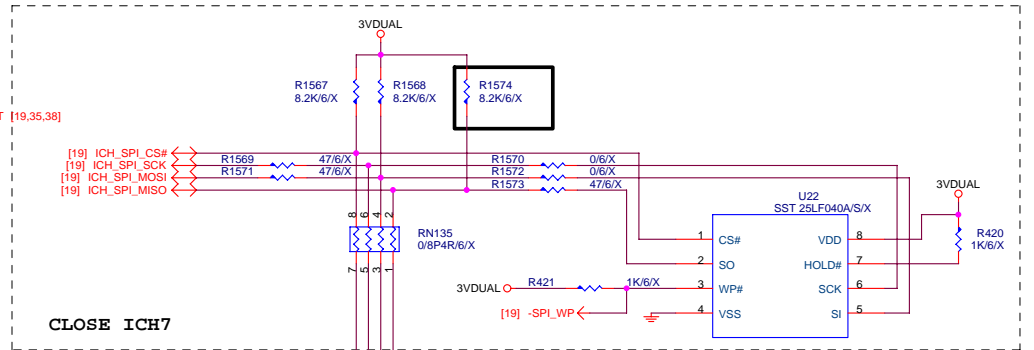
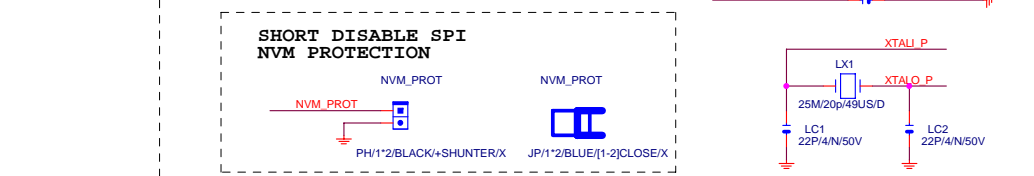
### ATX POWER CONNECTOR



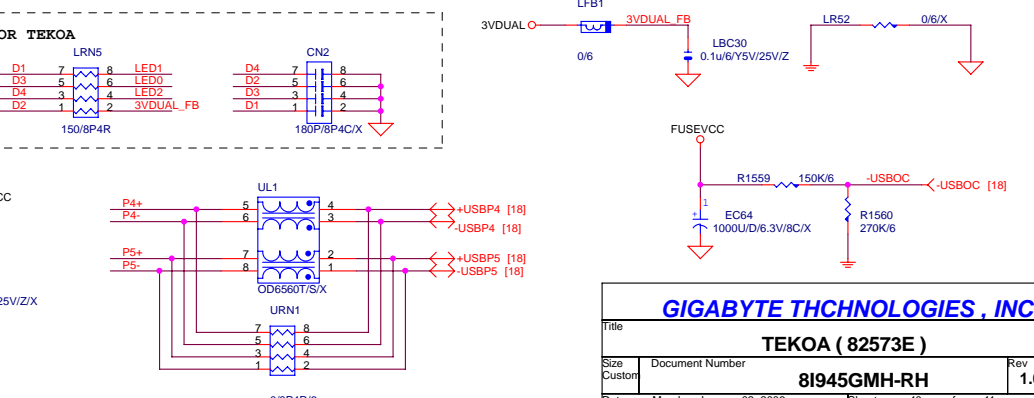
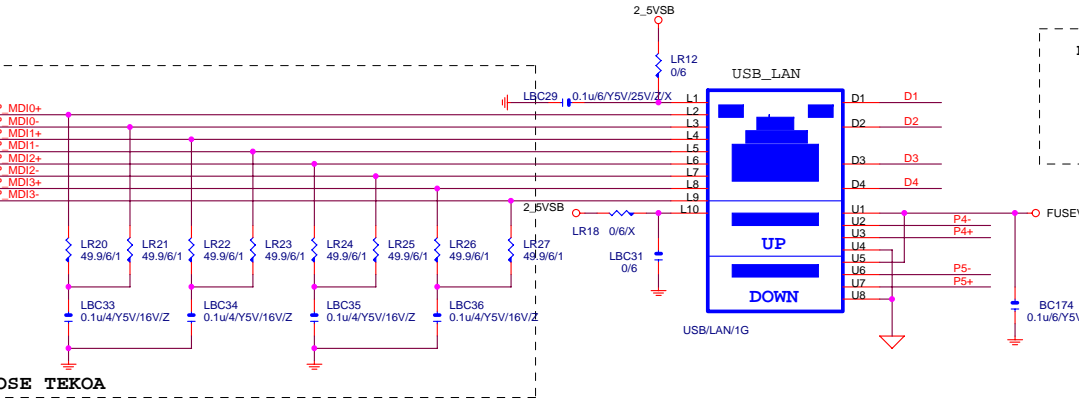
<b>GIGABYTE THCNOLOGIES , INC.</b>		
Title <b>ATX POWER CONNECTOR</b>		
Size B	Document Number <b>81945GMH-RH</b>	Rev <b>1.01</b>
Date: Monday, January 02, 2006	Sheet 39	of 41



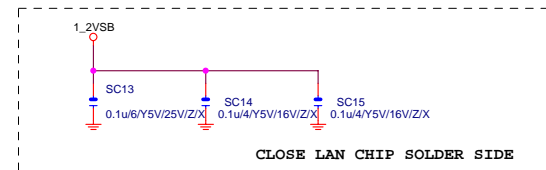
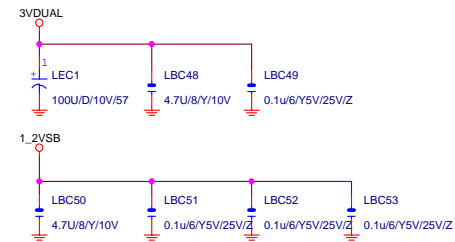
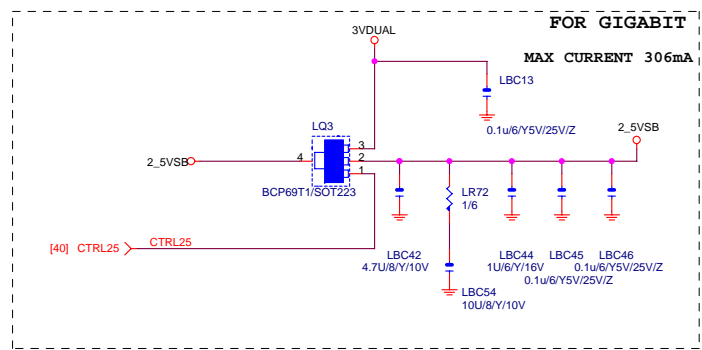
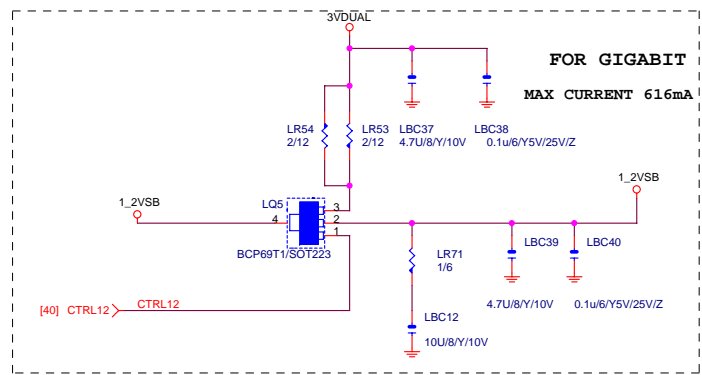
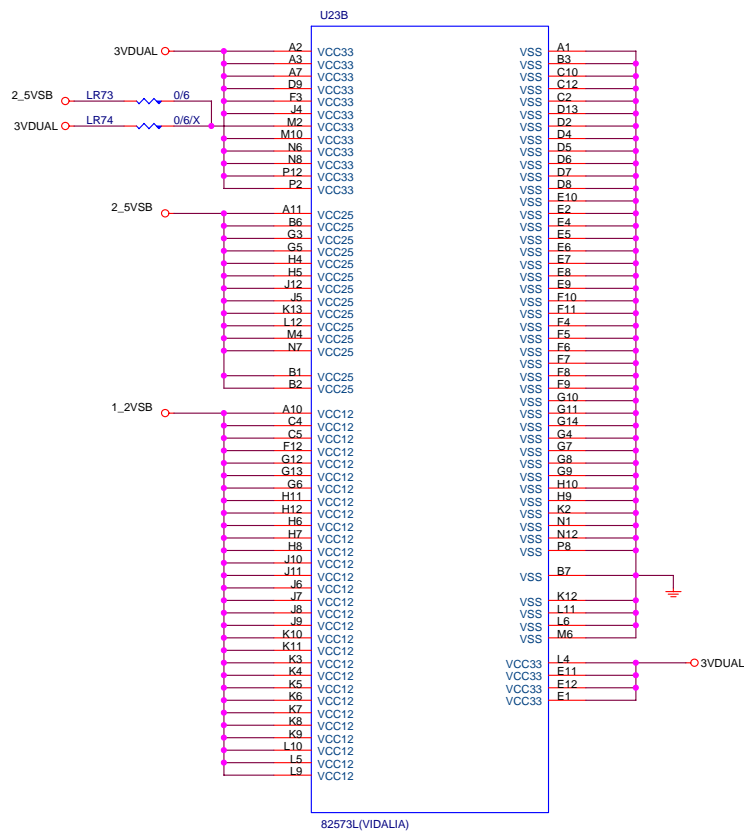
**B4/D3: SHARING SPI FLASH WITH ICH7**  
**A6: USE SPI FLASH**



<b>DEDICATE 82573E</b>	LR63,65,67:47 ; LR68:8.2K ; LRN7:0 ; LU2 ; LR59 ; LR69
<b>DEDICATE 82573E &amp; ICH</b>	LR63,65,67:47 ; LR68:8.2K ; LRN7:0 ; LU2 ; LR59 ; LR69 ; R1569,1571,1573:47 ; R1567,R1568:8.2K ; R1570,1572:0 ; U22 ; R420 ; R421 (R419)
<b>SHARE 82573E &amp; ICH</b>	R1570,1572,1573:47 ; LR63,65,R1569,1571,LRN6,RN135:0 ; U22 ; R420 ; R421







<b>GIGABYTE THCHNOLOGIES , INC.</b>			
Title			
<b>TEKOA ( 82573E )</b>			
Size	Document Number	8I945GMH-RH	Rev 1.0 1
Date:	Monday, January 02, 2006	Sheet	41 of 41