

SHEET

TITLE

01	COVER SHEET
02	BLOCK DIAGRAM
03	BOM & PCB MODIFY HISTORY
04	P4_LGA775_A
05	P4_LGA775_B
06	P4_LGA775_C
07	P4_LGA775_D,E,F,G
08	GMCH-LAKEPORT_HOST
09	GMCH-LAKEPORT_DDRII
10	GMCH-LAKEPORT_PCI E, DMI
11	GMCH-LAKEPORT_INT VGA
12	GMCH-LAKEPORT_GND
13	GMCH-LAKEPORT_PWR
14	DDRII CHANNEL A 1
15	DDRII CHANNEL B 2
16	DDRII TERMINATION
17	PCI EXPRESS*16 SLOT
18	ICH7 PCI, USB, DMI, LAN
19	ICH7 IDE, GPIO, SATA, CTRL
20	ICH7 VCC, GND
21	GB/CK410M CLOCK.
22	PCI SLOT 1,2,3
23	IDE/FLOPPY
24	ITE 8712 GBIX
25	COM_LPT
26	BIOS,CI,HWM,KB/MS
27	AC97 ALC655

SHEET

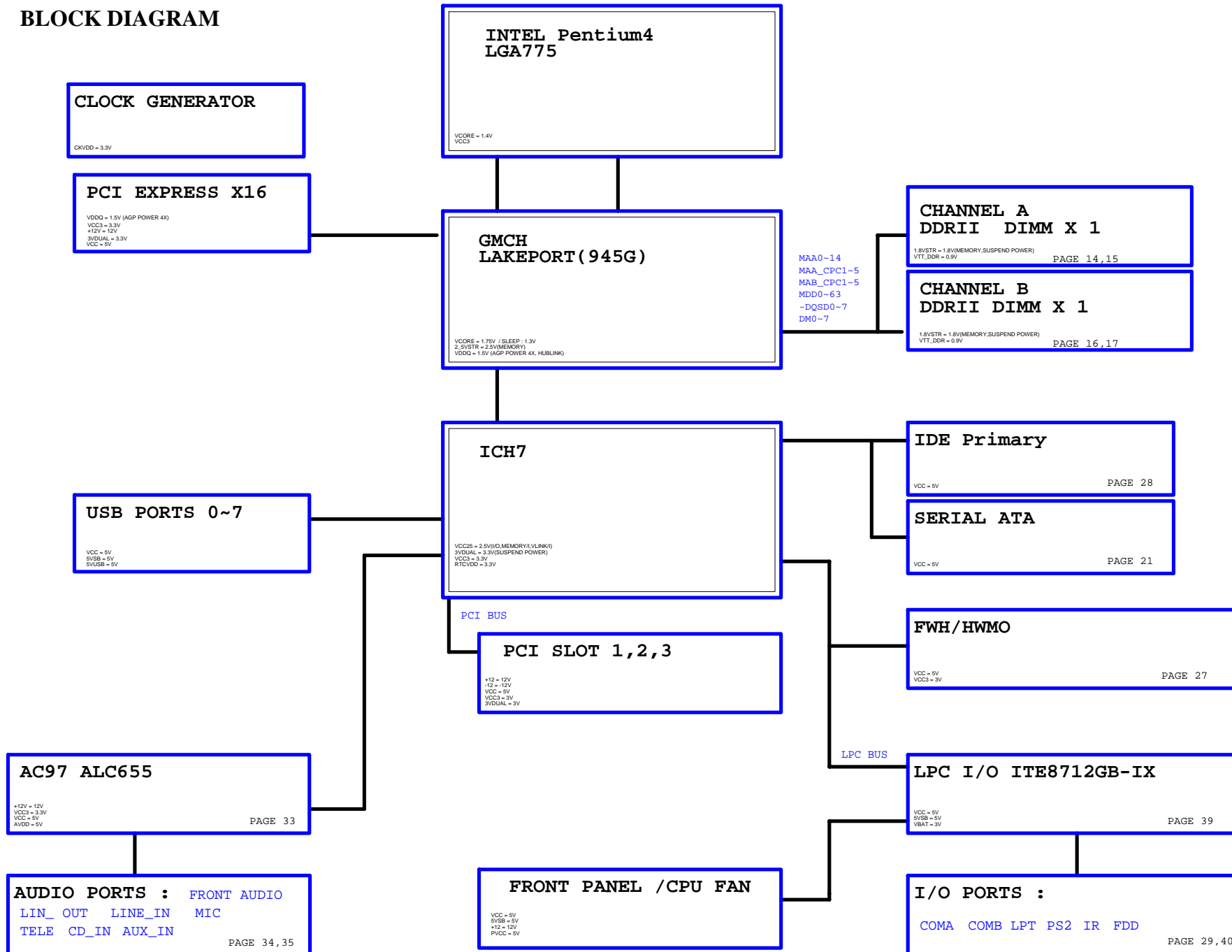
TITLE

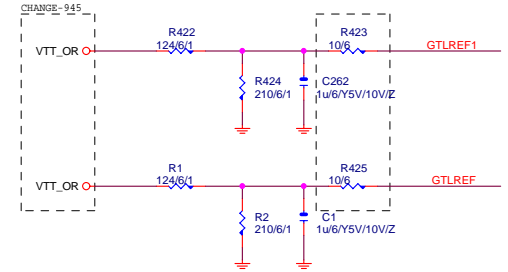
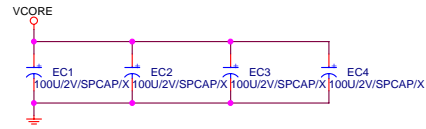
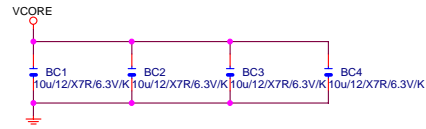
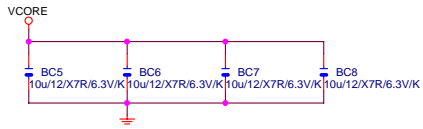
28	REAR AUDIO JACK
29	DISCRETE POWER
30	VCORE PWM_ISL6556
31	ATX, OTHERS POWER
32	RTL8110S/RTL8100C
33	FRONT PANEL

Gigabyte Technology

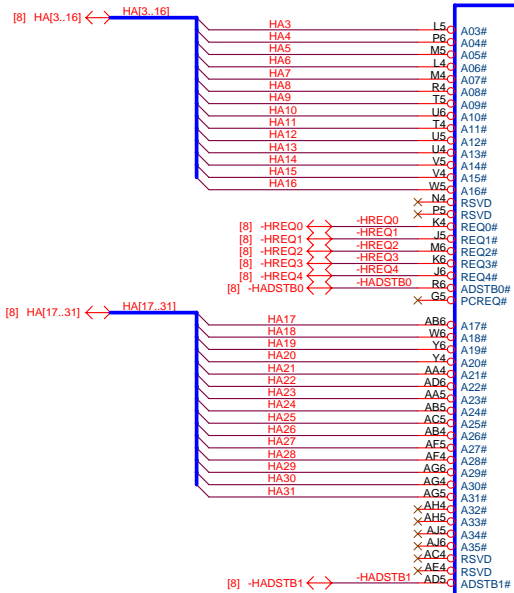
Title		
Cover Sheet		
Size	Document Number	Rev
Custom	8I945GME	1.0
Date:	Monday, October 31, 2005	Sheet 1 of 33

BLOCK DIAGRAM

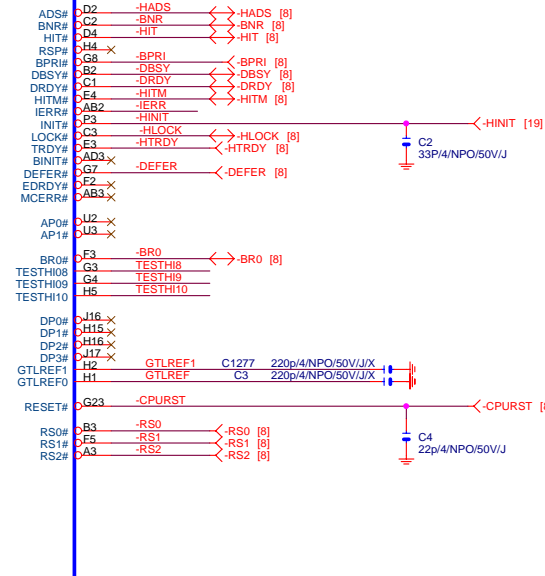




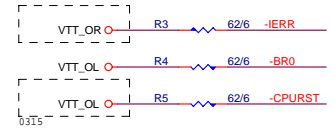
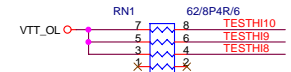
LGA775-D [DIP TYPE]



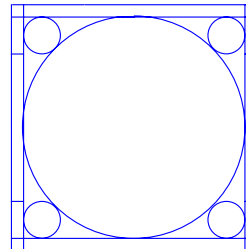
LGA775A



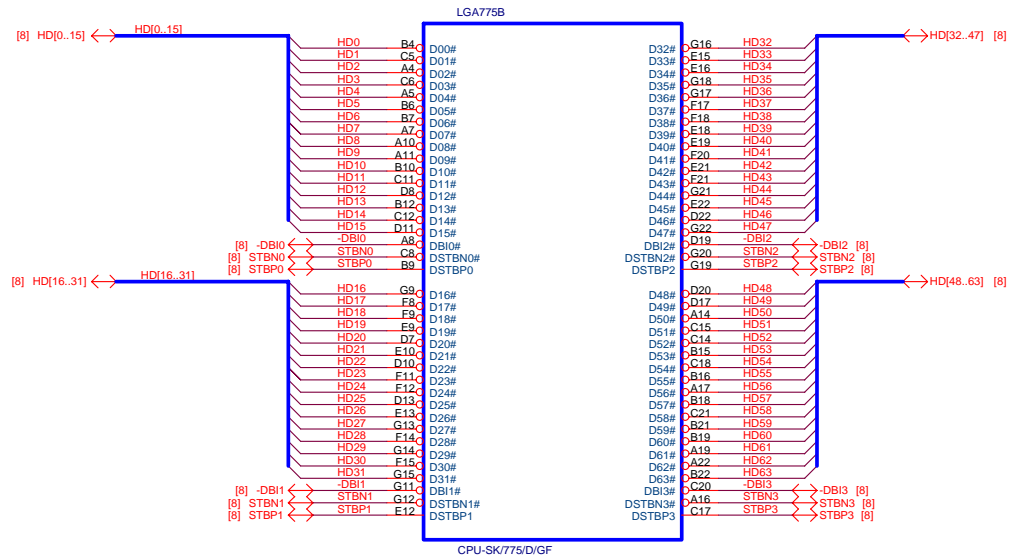
CPU-SK775/D/GF



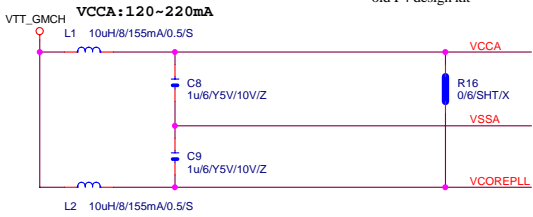
CR
CPU RETAINION/X



Gigabyte Technology		
Title P4_LGA775-A		
Size Custom	Document Number 81945GME	Rev 1.0
Date: Monday, October 31, 2005	Sheet 4	of 33

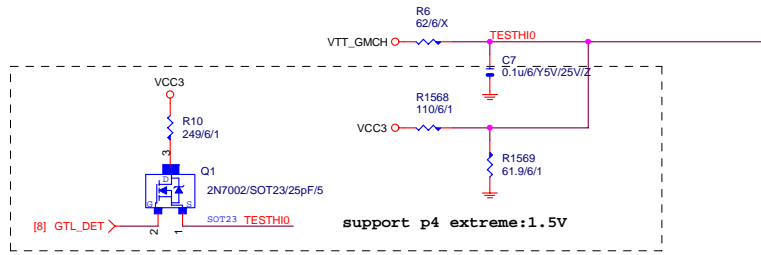
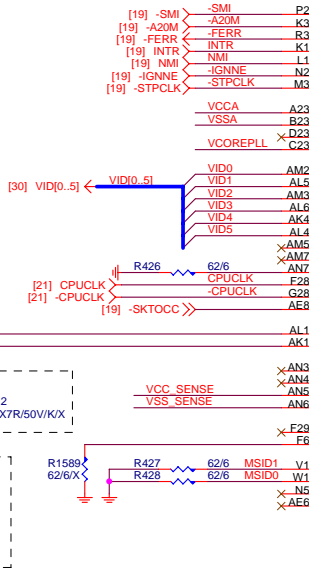
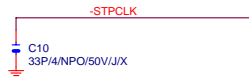


Note:
VCCA & VCOREPLL
define doesn't same as
old P4 design kit

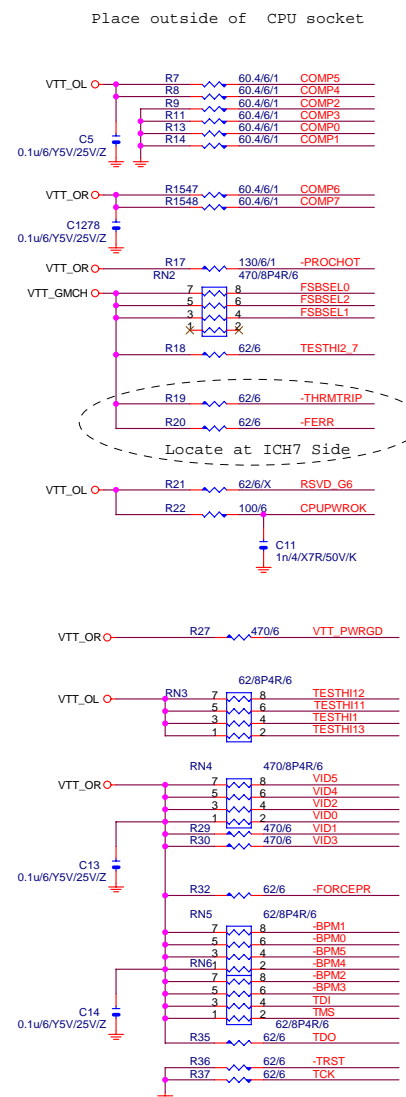
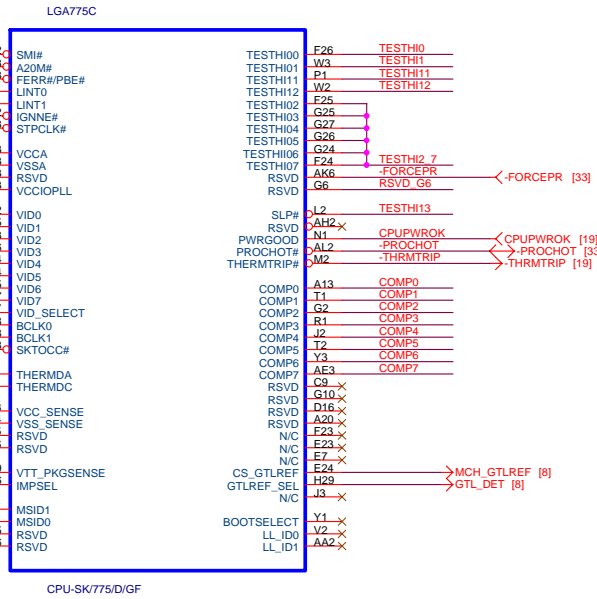


Trace width doesn't
less than 12 Mil

As close as possible to
CPU socket



support p4 extreme:1.5v



Place outside of CPU socket

Locate at ICH7 Side

945 Design Guide rev1.5 spec.
VCCA=120~220mA
公板為125mA

10LI2-12100A-03=INDUCTOR 10uH 300mA TAI-TECH
10LI2-12100A-02=INDUCTOR 10uH 155mA TAIYO
10LI2-12100A-01=INDUCTOR 10uH 120mA TDK

限用兩種

CPU

FSBSEL0	FSBSEL1	FSBSEL3	Clock
1	0	1	100MHz
1	0	0	133MHz
1	1	0	166MHz
0	1	0	200MHz
0	0	0	266MHz

X

FSA	FSB	NA	Clock
1	0	1	100MHz
1	0	0	133MHz
1	1	0	166MHz
0	1	0	200MHz
0	0	0	266MHz

RATIO

FSA	FSB	NA	Clock
1	0	1	100MHz
1	0	0	133MHz
1	1	0	166MHz
0	1	0	200MHz
0	0	0	266MHz

2.66/3.33
2.00/2.5

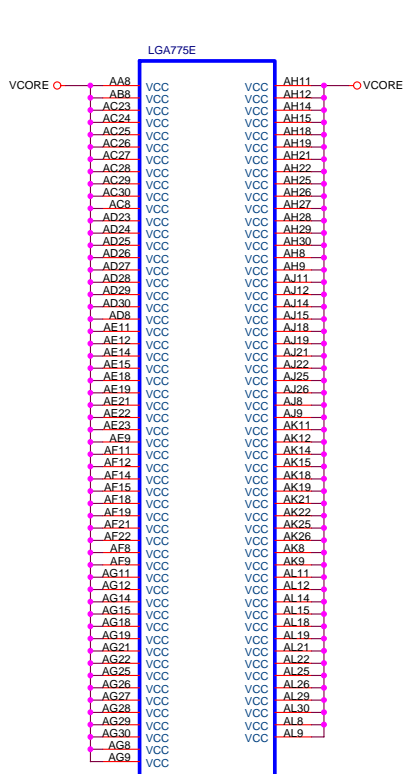


Gigabyte Technology

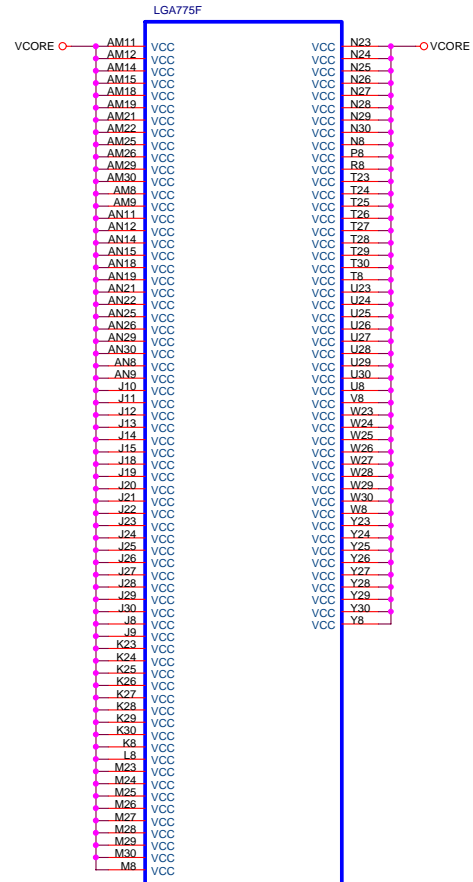
Title: P4_LGA775-B

Size Custom: Document Number: 81945GME Rev: 1.0

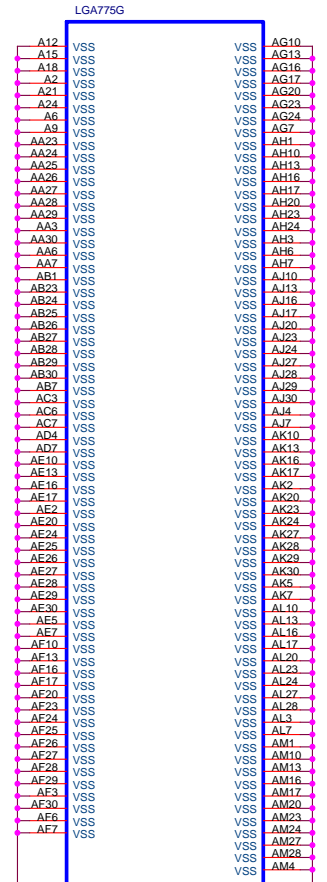
Date: Monday, October 31, 2005 Sheet: 6 of 33



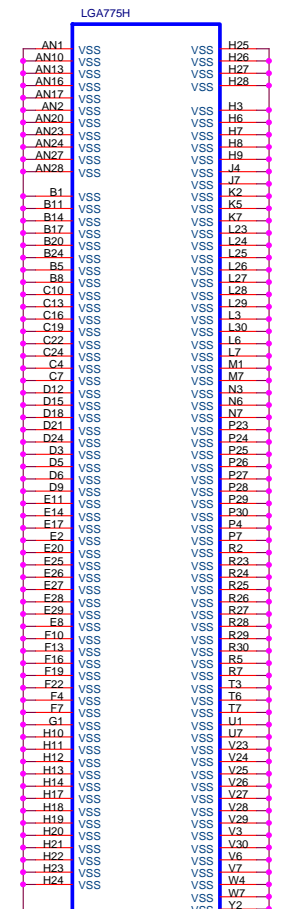
CPU-SK/775/D/GF



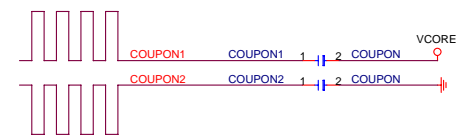
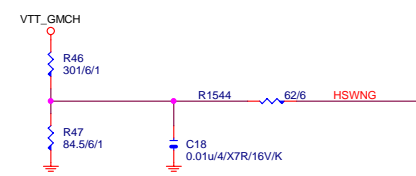
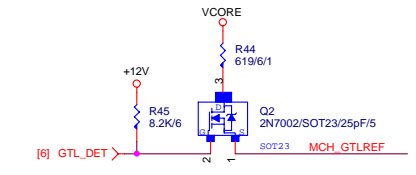
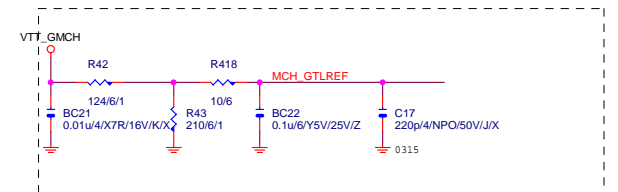
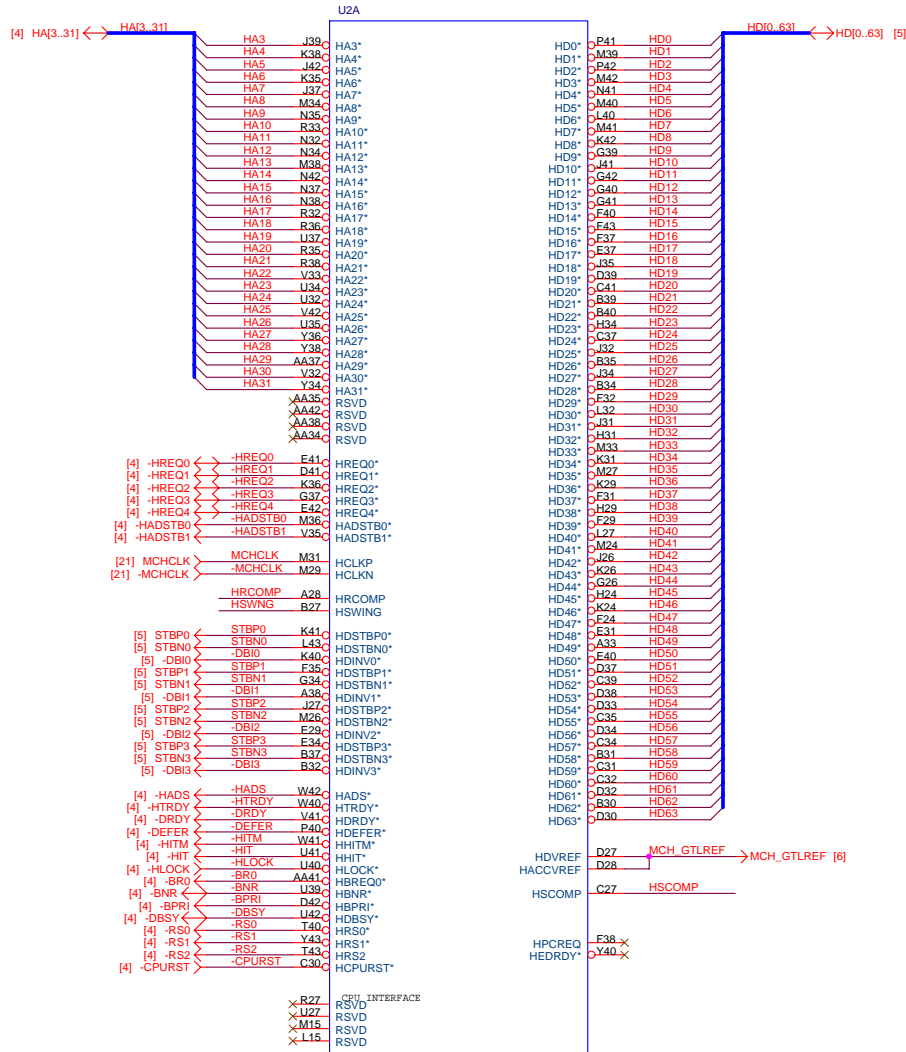
CPU-SK/775/D/GF



CPU-SK/775/D/GF



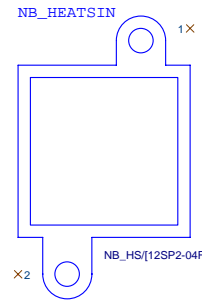
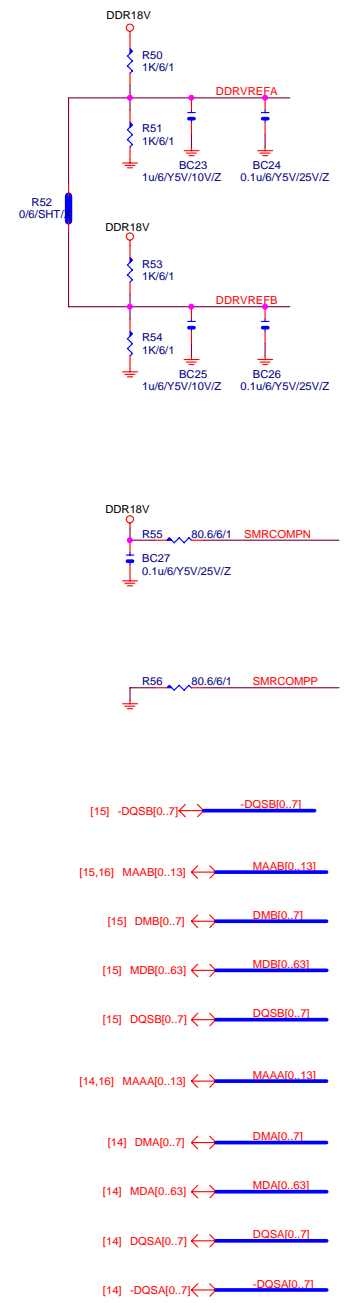
CPU-SK/775/D/GF



Gigabyte Technology			
Title GMCH-HOST			
Size Custom	Document Number 81945GME	Rev 1.0	
Date: Monday, October 31, 2005	Sheet 8	of 33	

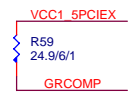
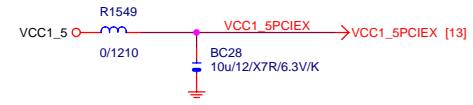
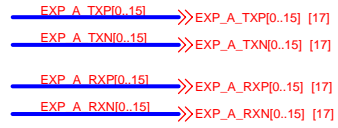
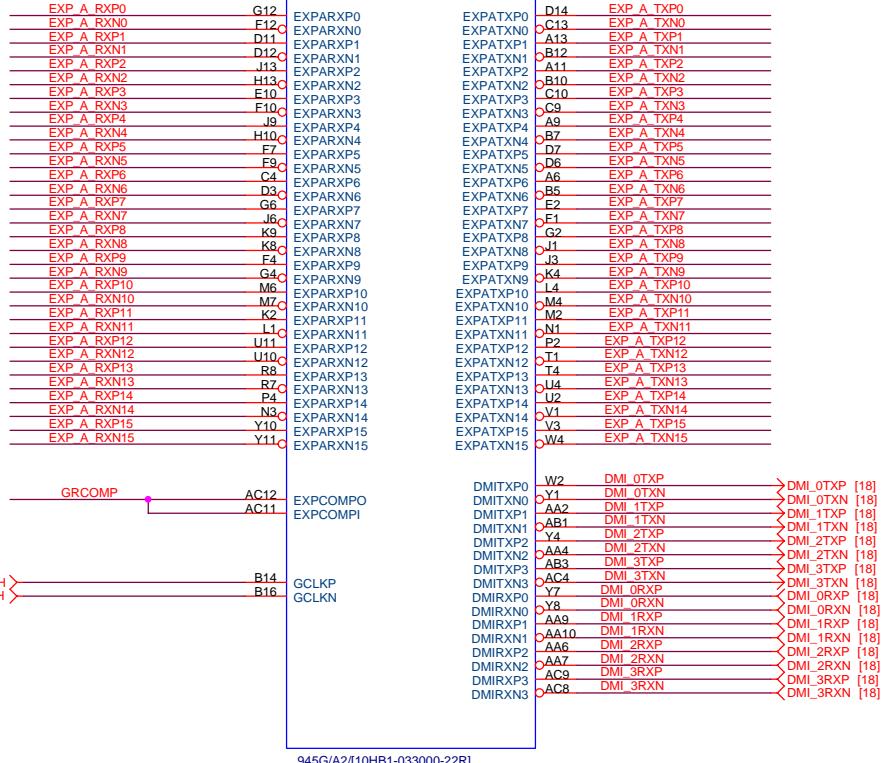
U2F

U2G



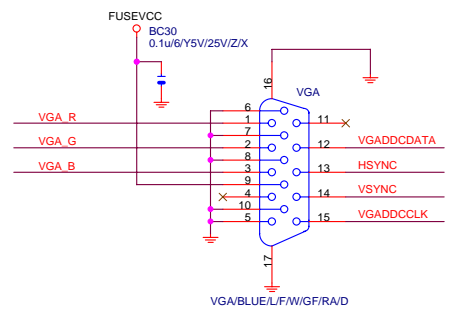
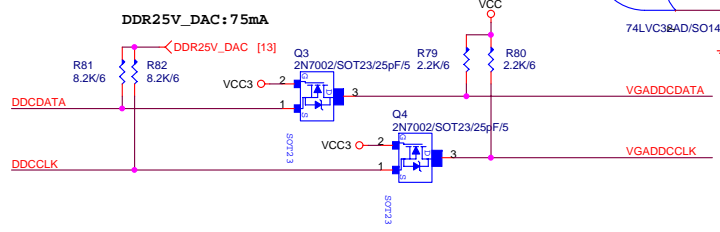
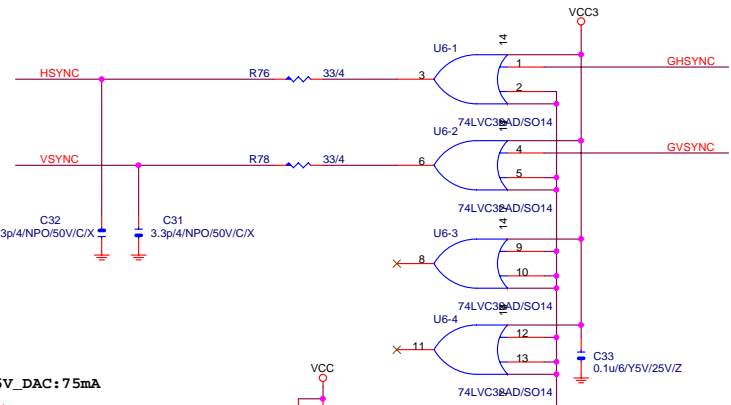
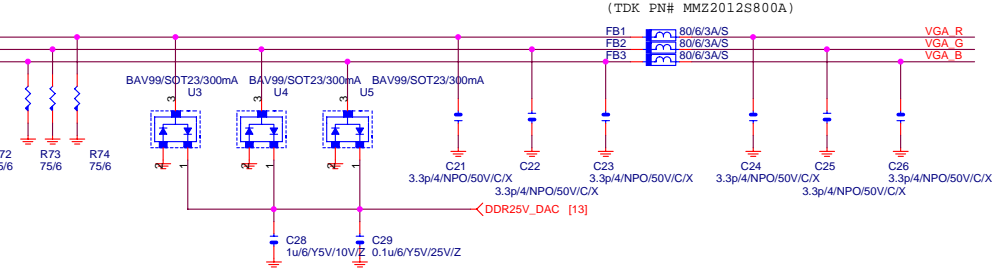
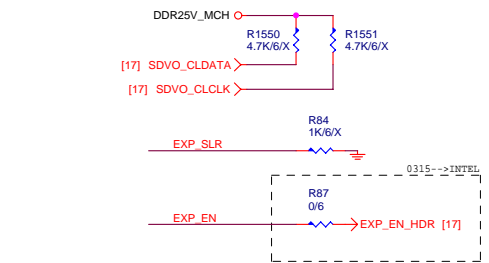
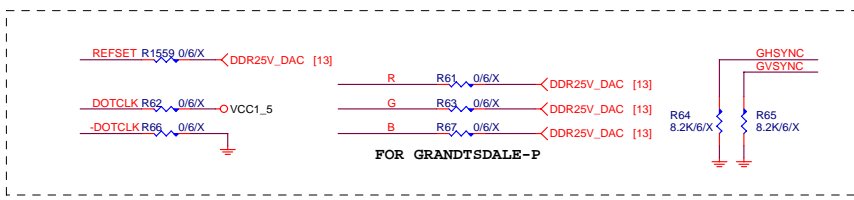
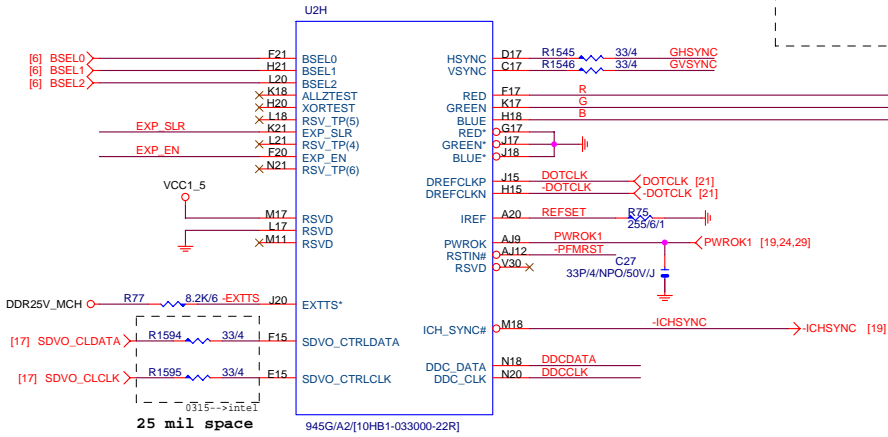
945G/A2[10HB1-033000-22R]

U2B



Gigabyte Technology

Title		GMCH-PCI E & DMI	
Size Custom	Document Number	81945GME	
Date:	Monday, October 31, 2005	Sheet	10 of 33
			Rev 1.0



U2C

A4	VSS	N2
A16	VSS	N6
A22	VSS	AD0
A26	VSS	AD11
A31	VSS	AD13
A35	VSS	N15
B4	VSS	N24
B6	VSS	N26
B9	VSS	N27
B11	VSS	N29
B13	VSS	AF1
B21	VSS	AF2
B22	VSS	N33
B28	VSS	N36
B33	VSS	N39
B38	VSS	N43
C3	VSS	P3
C5	VSS	P14
C7	VSS	P15
C12	VSS	P24
C14	VSS	P26
C22	VSS	P27
C40	VSS	P29
D2	VSS	P30
D5	VSS	R6
D10	VSS	R9
D16	VSS	R12
D20	VSS	R14
D21	VSS	R30
E3	VSS	R31
E4	VSS	R34
E7	VSS	R37
E9	VSS	R39
E12	VSS	T2
E13	VSS	T2
E17	VSS	AK26
E18	VSS	AK29
E20	VSS	AK30
E21	VSS	U8
E32	VSS	U12
F2	VSS	U14
F6	VSS	U17
F8	VSS	U33
F18	VSS	U36
F26	VSS	U38
F34	VSS	V2
F42	VSS	V8
G3	VSS	V11
G5	VSS	V12
G7	VSS	V14
G9	VSS	V24
G10	VSS	V36
G13	VSS	V37
G15	VSS	V38
G18	VSS	V39
G20	VSS	B43
G21	VSS	V43
G24	VSS	W3
G27	VSS	Y2
G29	VSS	Y5
G31	VSS	Y6
G32	VSS	Y9
G35	VSS	Y12
G38	VSS	Y14
H12	VSS	Y31
H17	VSS	Y35
H26	VSS	Y37
H27	VSS	Y39
H32	VSS	Y42
I2	VSS	AA3
J5	VSS	AA8
J7	VSS	AA11
J10	VSS	AA12
J12	VSS	AA14
J21	VSS	AA21
J24	VSS	AA23
J38	VSS	AA31
J43	VSS	AA33
K3	VSS	AA36
K5	VSS	AB2
K6	VSS	AB43
K7	VSS	AC3
K10	VSS	AC7
K12	VSS	AC10
K13	VSS	AC14
K15	VSS	AR6
K20	VSS	AR15
K27	VSS	AR20
K32	VSS	AR24
K34	VSS	AR32
K37	VSS	AR37
K39	VSS	AR39
L2	VSS	AR43
L12	VSS	AT12
L13	VSS	AT17
L24	VSS	AT18
L26	VSS	AT21
L29	VSS	AT23
L31	VSS	AT26
L42	VSS	AT27
M3	VSS	AT31
M5	VSS	AU6
M8	VSS	AU9
M9	VSS	AU12
M10	VSS	AL13
M13	VSS	AL15
M20	VSS	AL17
M21	VSS	AU20
M35	VSS	AD18
M37	VSS	AD20

945G/A2[10HB1-033000-22R]

U2E

AD7	VSS
N8	VSS
AD11	VSS
AD13	VSS
N15	VSS
N24	VSS
AD37	VSS
AD42	VSS
N29	VSS
AF1	VSS
AF2	VSS
N33	VSS
AF5	VSS
N39	VSS
AF36	VSS
P3	VSS
P14	VSS
P15	VSS
P24	VSS
P26	VSS
P27	VSS
P29	VSS
P30	VSS
R6	VSS
R9	VSS
R12	VSS
R14	VSS
R30	VSS
R31	VSS
R34	VSS
R37	VSS
R39	VSS
T2	VSS
AK26	VSS
AK29	VSS
AK30	VSS
U8	VSS
U12	VSS
U14	VSS
U17	VSS
U33	VSS
U36	VSS
U38	VSS
V2	VSS
V8	VSS
V11	VSS
V12	VSS
V14	VSS
V24	VSS
V36	VSS
V37	VSS
V38	VSS
V39	VSS
B43	VSS
V43	VSS
W3	VSS
Y2	VSS
Y5	VSS
Y6	VSS
Y9	VSS
Y12	VSS
Y14	VSS
Y31	VSS
Y35	VSS
Y37	VSS
Y39	VSS
Y42	VSS
AA3	VSS
AA8	VSS
AA11	VSS
AA12	VSS
AA14	VSS
AA21	VSS
AA23	VSS
AA31	VSS
AA33	VSS
AA36	VSS
AB2	VSS
AB43	VSS
AC3	VSS
AC7	VSS
AC10	VSS
AC14	VSS
AR6	VSS
AR15	VSS
AR20	VSS
AR24	VSS
AR32	VSS
AR37	VSS
AR39	VSS
AR43	VSS
AT12	VSS
AT17	VSS
AT18	VSS
AT21	VSS
AT23	VSS
AT26	VSS
AT27	VSS
AT31	VSS
AU6	VSS
AU9	VSS
AU12	VSS
AL13	VSS
AL15	VSS
AL17	VSS
AU20	VSS
AD18	VSS
AD20	VSS
AD22	VSS
AD24	VSS
AD27	VSS
AD29	VSS
AE19	VSS
AE21	VSS
AE23	VSS
AE25	VSS
AF18	VSS
AF20	VSS
AF22	VSS
AF24	VSS
AY1	VSS
BC4	VSS

945G/A2[10HB1-033000-22R]

VSS	AU21
VSS	AU24
VSS	AU26
VSS	AU29
VSS	AU32
VSS	AU34
VSS	AV2
VSS	AV10
VSS	AV17
VSS	AV37
VSS	AW10
VSS	BA4
VSS	BA42
VSS	BB3
VSS	BB6
VSS	BB11
VSS	BB14
VSS	BB19
VSS	BB34
VSS	BB39
VSS	BB41
VSS	BC9
VSS	A40
VSS	D1
VSS	D43
VSS	R26
VSS	R29
VSS	U29
VSS	V24
VSS	V26
VSS	V29
VSS	W21
VSS	W23
VSS	W25
VSS	Y20
VSS	Y22
VSS	Y24
VSS	Y26
VSS	Y29
VSS	AA25
VSS	AA27
VSS	AA29
VSS	AC19
VSS	AC25
VSS	AC29
NC	A42
NC	B2
NC	B3
NC	B4
NC	B42
NC	B43
NC	C2
NC	C42
NC	E35
NC	AV26
NC	AV27
NC	AW2
NC	AW28
NC	BA2
NC	BB1
NC	BB2
NC	BB43
NC	BC1
NC	BC2
NC	BC42
NC	BC43
RSVD	AK21
RSVD	AJ23
RSVD	AJ26
RSVD	AL23
RSVD	AL29
RSVD	AJ21
RSVD	AL26
RSVD	AK27
RSVD	AD36
RSVD	AC34
RSVD	Y30
RSVD	Y32
RSVD	AF31
RSVD	AD31
RSVD	U30
RSVD	V31
RSVD	AA30
RSVD	AC30
RSVD	AA3
RSVD	AG25
RSVD	AG26
RSVD	AG27
RSVD	AJ24
RSVD	AJ27
RSVD	AK40
RSVD	AW11
RSVD	AW18
RSVD	AY14
RSVD	BC16
RSVD	AJ29
RSVD	AG23

1.425~1.575V

- VCC1_5
- N17
- P18
- P19
- P20
- P21
- AA22
- AB21
- AB22
- AB23
- AC22
- AD14
- AF6
- AF7
- AF8
- AF9
- AF10
- AF11
- AF12
- AF13
- AF14
- AF30
- AG2
- AG3
- AG4
- AG5
- AG6
- AG7
- AG8
- AG9
- AG10
- AG11
- AG12
- AG13
- AG14
- AH1
- AH2
- AH3
- AH4
- AJ5
- AJ13
- AJ14
- AK3
- AK4
- AK14
- AK15
- AK20
- R15
- R17
- R18
- R20
- R21
- R23
- R24
- LI5
- LI7
- LI8
- LI9
- LI20
- LI21
- LI22
- LI23
- LI24
- LI25
- LI26
- V15
- V18
- V19
- V20
- V21
- V22
- V23
- V25
- V27
- W17
- W18
- W19
- W20
- W22
- W24
- W26
- W27
- Y15
- Y17
- Y18
- Y19
- Y21
- Y23
- Y25
- Y27
- AA15
- AA17
- AA18
- AA19
- AA20
- AA24
- AA26
- AB17
- AB18
- AB19
- AB20
- AB24
- AB25
- AB26
- AB27
- AC15
- AC17
- AC18
- AC20
- AC24
- AC26
- AC27
- AD15
- AD17
- AD19
- AD21
- AD23
- AD25
- AD26
- AE17
- AE18
- AE20
- AE22
- AE24
- AE26
- AE27
- AF15
- AF17
- AF19
- AF21
- AF23
- AF25
- AF26
- AF27
- AF29

- VCCSM
- BB16
- AW15
- BB42
- BB43
- BC18
- VCCSM
- BC22
- BC26
- VCCSM
- BB20
- VCCSM
- AW24
- BB26
- VCCSM
- BC31
- VCCSM
- BB36
- VCCSM
- BB33
- VCCSM
- BB28
- VCCSM
- BB24
- VCCSM
- AW29
- VCCSM
- AW31
- VCCSM
- AW34
- VCCSM
- AW41
- VCCSM
- AW42
- VCCSM
- AW23
- VCCSM
- AW18
- VCCSM
- BC40
- VCCSM
- AW38
- VCCSM
- AW43
- VCCSM
- AW20
- VCCSM
- AW12
- VCCSM
- AW13
- VCCSM
- AW21

1.7~1.9V

- DDR18V
- VTT
- G23
- P23
- E23
- D23
- D24
- D25
- B25
- B24
- B23
- B26
- H23
- E23
- K23
- L23
- M23
- E24
- N23
- A24
- F23
- E27
- E26
- C25
- C26
- VTT

1.14~1.26V

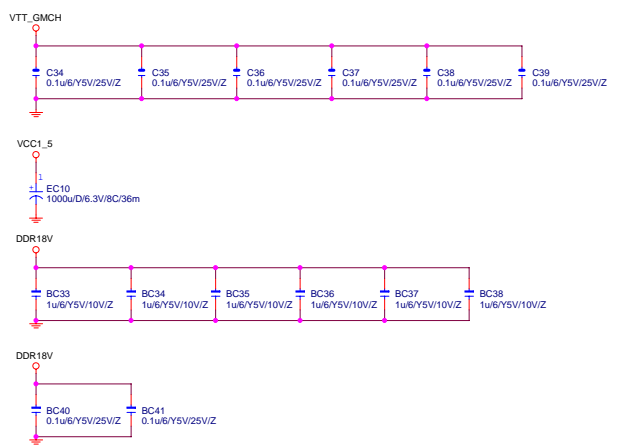
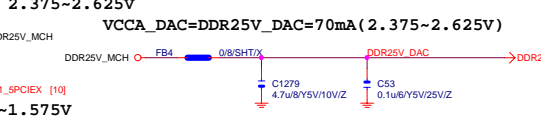
- VTT
- G23
- P23
- E23
- D23
- D24
- D25
- B25
- B24
- B23
- B26
- H23
- E23
- K23
- L23
- M23
- E24
- N23
- A24
- F23
- E27
- E26
- C25
- C26
- VTT

1.425~1.575V

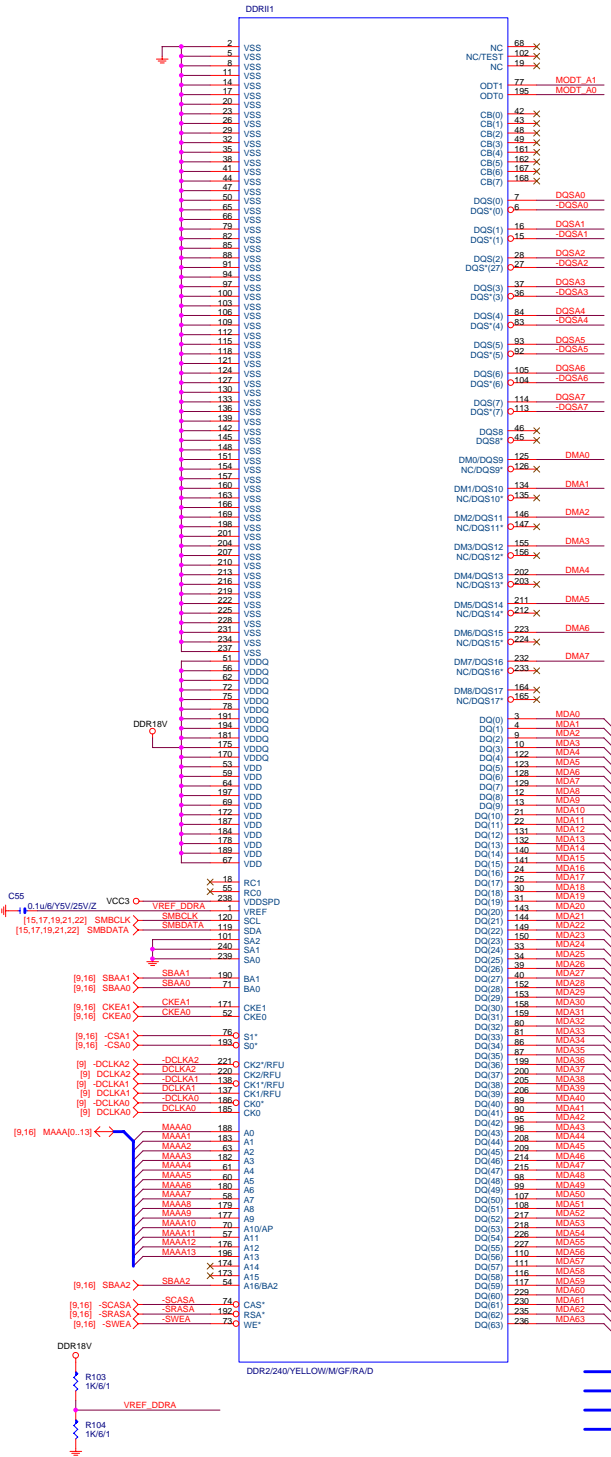
- VCC_EXP
- AD12
- AC5
- AA5
- V5
- V13
- AE2
- R13
- N12
- N10
- R6
- N7
- N11
- AE3
- N9
- AD10
- AD1
- AC6
- AD8
- AD2
- AD4
- AD5
- AD6
- Y13
- N6
- U8
- N6
- AC13
- AE4
- L7
- R10
- R11
- U6
- V6
- V7
- V9
- V10

VCC1_5

- AG15
- AG17
- AG18
- AG19
- AG20
- AG21
- AG22
- AG23
- AG24
- AJ15
- AJ17
- AJ18
- AJ20

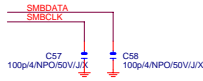


945 Design Guide rev1.5 spec.
 VCCA_EXPPLL=VCCA_GPLL=45mA (1.425V~1.575V)
 VCCA_HPLL>50mA 公板為200mA (1.425V~1.575V)
 VCCA_DPLLA=65mA (1.425V~1.575V)
 VCCA_DPLLB=65mA (1.425V~1.575V)
 VCCA_MPLL>50mA (1.425V~1.575V)
 VCCA_DAC=DDR25V_DAC=70mA (2.375~2.625V)

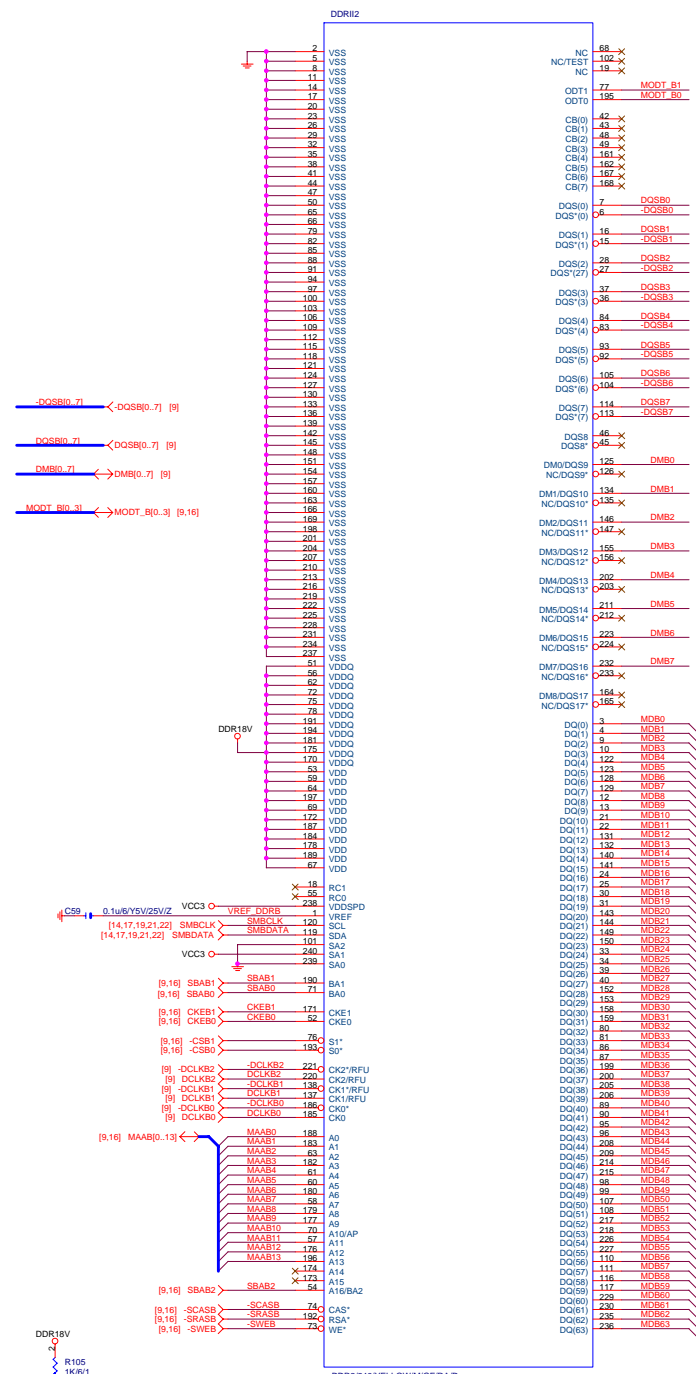


NC	68	X
NC/TEST	102	X
NC	19	X
ODT1	77	MODT_A1
ODT0	195	MODT_A0
CB(0)	42	X
CB(1)	43	X
CB(2)	49	X
CB(3)	48	X
CB(4)	161	X
CB(5)	162	X
CB(6)	167	X
CB(7)	168	X
DQS(0)	7	DQSA0
DQS*(0)	6	-DQSA0
DQS(1)	16	DQSA1
DQS*(1)	15	-DQSA1
DQS(2)	28	DQSA2
DQS*(2)	27	-DQSA2
DQS(3)	37	DQSA3
DQS*(3)	36	-DQSA3
DQS(4)	84	DQSA4
DQS*(4)	83	-DQSA4
DQS(5)	83	DQSA5
DQS*(5)	82	-DQSA5
DQS(6)	106	DQSA6
DQS*(6)	104	-DQSA6
DQS(7)	114	DQSA7
DQS*(7)	113	-DQSA7
DQS8	46	X
DQS8*	45	X
DM0/DQS8	125	DMA0
NC/DQS8*	126	X
DM1/DQS10	134	DMA1
NC/DQS10*	135	X
DM2/DQS11	146	DMA2
NC/DQS11*	147	X
DM3/DQS12	155	DMA3
NC/DQS12*	156	X
DM4/DQS13	202	DMA4
NC/DQS13*	203	X
DM5/DQS14	211	DMA5
NC/DQS14*	212	X
DM6/DQS15	223	DMA6
NC/DQS15*	224	X
DM7/DQS16	232	DMA7
NC/DQS16*	233	X
DM8/DQS17	184	X
NC/DQS17*	185	X
DQ(0)	3	MDA0
DQ(1)	4	MDA1
DQ(2)	9	MDA2
DQ(3)	10	MDA3
DQ(4)	122	MDA4
DQ(5)	123	MDA5
DQ(6)	128	MDA6
DQ(7)	129	MDA7
DQ(8)	12	MDA8
DQ(9)	13	MDA9
DQ(10)	21	MDA10
DQ(11)	22	MDA11
DQ(12)	131	MDA12
DQ(13)	132	MDA13
DQ(14)	140	MDA14
DQ(15)	141	MDA15
DQ(16)	24	MDA16
DQ(17)	25	MDA17
DQ(18)	30	MDA18
DQ(19)	31	MDA19
DQ(20)	143	MDA20
DQ(21)	144	MDA21
DQ(22)	149	MDA22
DQ(23)	150	MDA23
DQ(24)	33	MDA24
DQ(25)	34	MDA25
DQ(26)	39	MDA26
DQ(27)	40	MDA27
DQ(28)	152	MDA28
DQ(29)	153	MDA29
DQ(30)	158	MDA30
DQ(31)	159	MDA31
DQ(32)	80	MDA32
DQ(33)	81	MDA33
DQ(34)	86	MDA34
DQ(35)	87	MDA35
DQ(36)	159	MDA36
DQ(37)	200	MDA37
DQ(38)	205	MDA38
DQ(39)	206	MDA39
DQ(40)	89	MDA40
DQ(41)	90	MDA41
DQ(42)	95	MDA42
DQ(43)	96	MDA43
DQ(44)	208	MDA44
DQ(45)	208	MDA45
DQ(46)	214	MDA46
DQ(47)	215	MDA47
DQ(48)	98	MDA48
DQ(49)	99	MDA49
DQ(50)	107	MDA50
DQ(51)	108	MDA51
DQ(52)	217	MDA52
DQ(53)	218	MDA53
DQ(54)	226	MDA54
DQ(55)	227	MDA55
DQ(56)	110	MDA56
DQ(57)	111	MDA57
DQ(58)	116	MDA58
DQ(59)	117	MDA59
DQ(60)	229	MDA60
DQ(61)	230	MDA61
DQ(62)	235	MDA62
DQ(63)	236	MDA63

MDA0[0..63] [9]



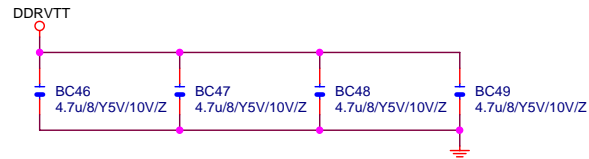
SigabYTE Technology	
Title	
DDRII CHANNEL A	
Size	Document Number
Customer	81945GME
Date	Rev
	1.0
Date	
Sheet 14 of 33	



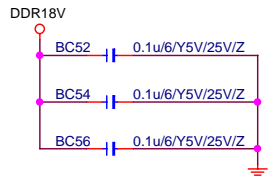
NC	68	X
NC/TEST	102	X
NC	19	X
ODT1	77	MODT_B1
ODT0	195	MODT_B0
CB(0)	42	X
CB(1)	43	X
CB(2)	49	X
CB(3)	48	X
CB(4)	161	X
CB(5)	162	X
CB(6)	167	X
CB(7)	168	X
DO(0)	7	DOSB0
DO(0)	6	-DOSB0
DO(1)	16	DOSB1
DO(1)	15	-DOSB1
DO(2)	28	DOSB2
DO(2)	27	-DOSB2
DO(3)	37	DOSB3
DO(3)	36	-DOSB3
DO(4)	84	DOSB4
DO(4)	83	-DOSB4
DO(5)	93	DOSB5
DO(5)	92	-DOSB5
DO(6)	106	DOSB6
DO(6)	104	-DOSB6
DO(7)	114	DOSB7
DO(7)	113	-DOSB7
DOS8	46	X
DOS8*	45	X
DM0/DOS8	125	DMB0
NC/DOS8*	128	X
DM1/DOS10	134	DMB1
NC/DOS10*	135	X
DM2/DOS11	146	DMB2
NC/DOS11*	147	X
DM3/DOS12	155	DMB3
NC/DOS12*	156	X
DM4/DOS13	202	DMB4
NC/DOS13*	203	X
DM5/DOS14	211	DMB5
NC/DOS14*	212	X
DM6/DOS15	223	DMB6
NC/DOS15*	224	X
DM7/DOS16	232	DMB7
NC/DOS16*	233	X
DM8/DOS17	184	X
NC/DOS17*	185	X
DQ(0)	3	MBE0
DQ(1)	4	MBE1
DQ(2)	9	MBE2
DQ(2)	10	MBE3
DQ(3)	122	MBE4
DQ(4)	123	MBE5
DQ(5)	128	MBE6
DQ(6)	129	MBE7
DQ(7)	12	MBE8
DQ(8)	12	MBE9
DQ(9)	13	MBE10
DQ(10)	21	MBE11
DQ(10)	22	MBE12
DQ(11)	131	MBE13
DQ(12)	132	MBE14
DQ(13)	140	MBE15
DQ(14)	141	MBE16
DQ(15)	24	MBE17
DQ(16)	144	MBE18
DQ(17)	30	MBE19
DQ(18)	31	MBE20
DQ(19)	143	MBE21
DQ(20)	144	MBE22
DQ(21)	149	MBE23
DQ(22)	150	MBE24
DQ(23)	34	MBE25
DQ(24)	34	MBE26
DQ(25)	39	MBE27
DQ(26)	40	MBE28
DQ(27)	40	MBE29
DQ(28)	152	MBE30
DQ(29)	153	MBE31
DQ(30)	158	MBE32
DQ(31)	159	MBE33
DQ(32)	80	MBE34
DQ(33)	81	MBE35
DQ(34)	86	MBE36
DQ(35)	87	MBE37
DQ(36)	159	MBE38
CK2*/RFU	200	MBE39
CK1*/RFU	200	MBE40
CK1*/RFU	206	MBE41
CK1*/RFU	206	MBE42
CK0*	89	MBE43
CK0*	90	MBE44
CK0*	90	MBE45
CK0*	90	MBE46
CK0*	90	MBE47
CK0*	90	MBE48
CK0*	90	MBE49
CK0*	90	MBE50
CK0*	90	MBE51
CK0*	90	MBE52
CK0*	90	MBE53
CK0*	90	MBE54
CK0*	90	MBE55
CK0*	90	MBE56
CK0*	90	MBE57
CK0*	90	MBE58
CK0*	90	MBE59
CK0*	90	MBE60
CK0*	90	MBE61
CK0*	90	MBE62
CK0*	90	MBE63

DDR TERMINATION CHANNEL A

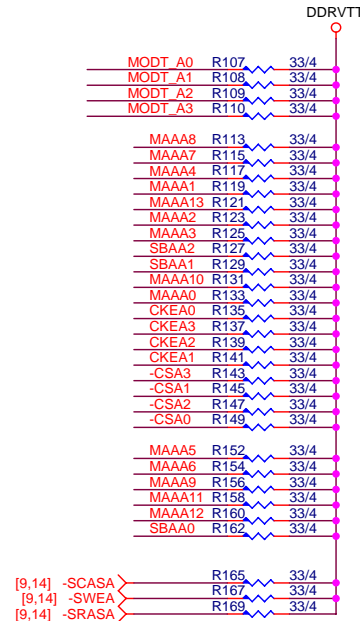
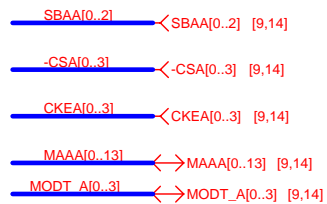
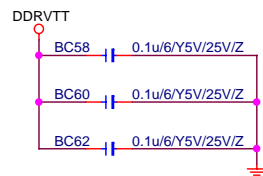
DDRVTT Decouple



DDR18V Decouple

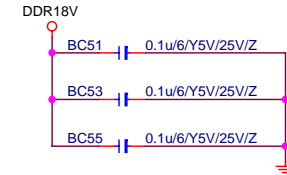


DDRVTT Decouple

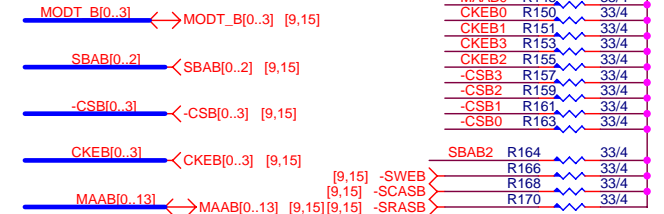
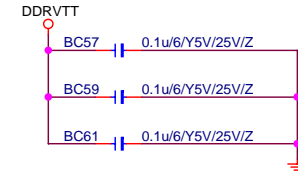


DDR TERMINATION CHANNEL B

DDR18V Decouple

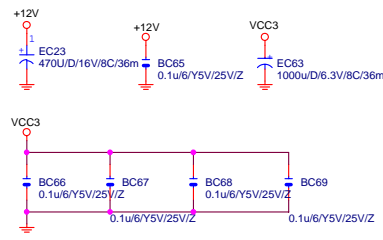


DDRVTT Decouple

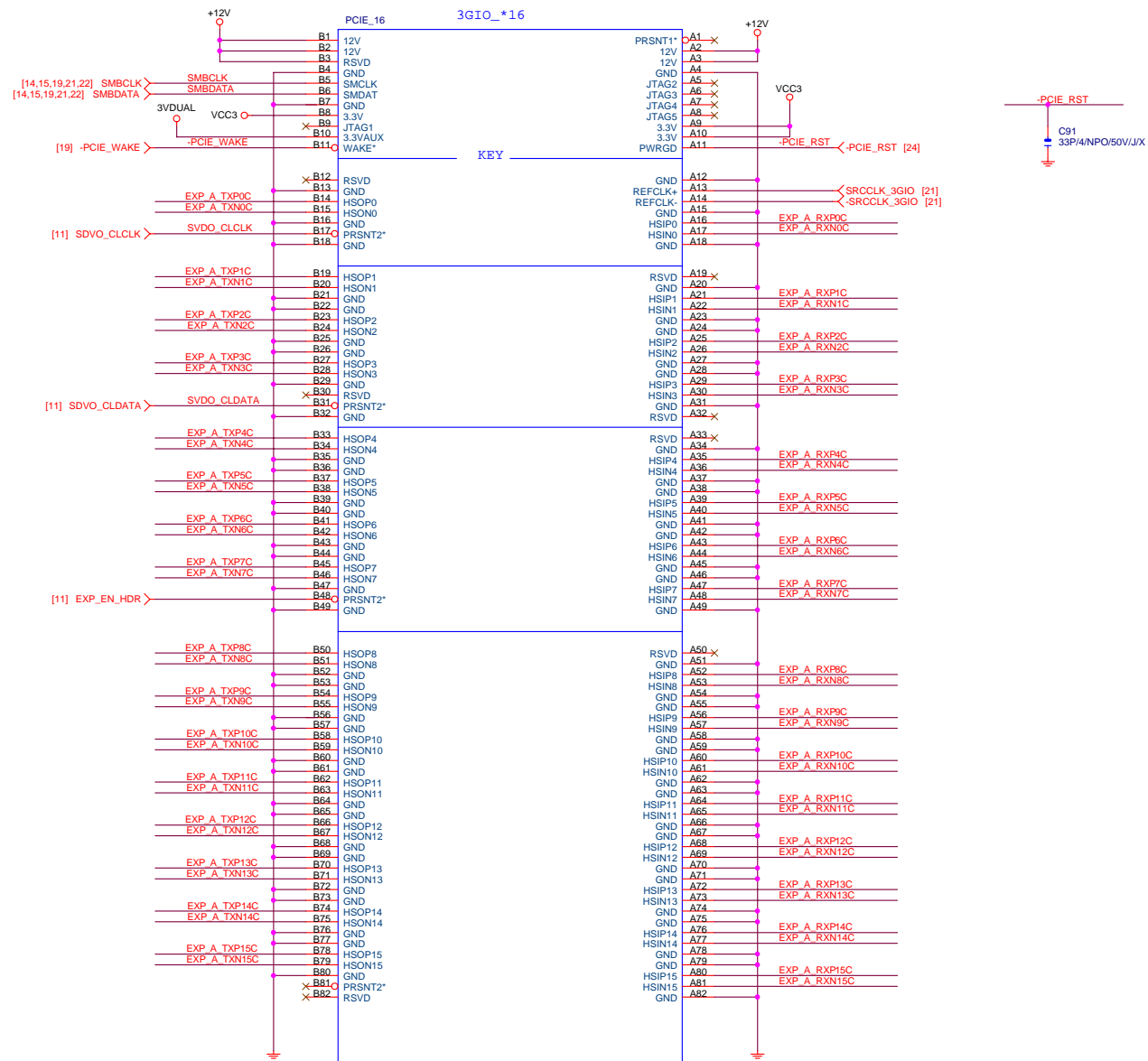


Gigabyte Technology

Title		
DDRII TERMINATOR		
Size Custom	Document Number	Rev
	8I945GME	1.0
Date:	Monday, October 31, 2005	Sheet 16 of 33



PCIESLOT-164DN-2



EXP A TXP0_15 >>> EXP_A_TXP[0..15] [10]
 EXP A TXN0_15 >>> EXP_A_TXN[0..15] [10]
 EXP A RXP0_15 >>> EXP_A_RXP[0..15] [10]
 EXP A RXN0_15 >>> EXP_A_RXN[0..15] [10]

EXP A TXP0	C92	0.1u/6/Y5V/25V/Z	EXP A TXP0C
EXP A TXN0	C93	0.1u/6/Y5V/25V/Z	EXP A TXN0C
EXP A TXP1	C94	0.1u/6/Y5V/25V/Z	EXP A TXP1C
EXP A TXN1	C95	0.1u/6/Y5V/25V/Z	EXP A TXN1C
EXP A TXP2	C96	0.1u/6/Y5V/25V/Z	EXP A TXP2C
EXP A TXN2	C97	0.1u/6/Y5V/25V/Z	EXP A TXN2C
EXP A TXP3	C98	0.1u/6/Y5V/25V/Z	EXP A TXP3C
EXP A TXN3	C99	0.1u/6/Y5V/25V/Z	EXP A TXN3C
EXP A TXP4	C100	0.1u/6/Y5V/25V/Z	EXP A TXP4C
EXP A TXN4	C101	0.1u/6/Y5V/25V/Z	EXP A TXN4C
EXP A TXP5	C102	0.1u/6/Y5V/25V/Z	EXP A TXP5C
EXP A TXN5	C103	0.1u/6/Y5V/25V/Z	EXP A TXN5C
EXP A TXP6	C104	0.1u/6/Y5V/25V/Z	EXP A TXP6C
EXP A TXN6	C105	0.1u/6/Y5V/25V/Z	EXP A TXN6C
EXP A TXP7	C106	0.1u/6/Y5V/25V/Z	EXP A TXP7C
EXP A TXN7	C107	0.1u/6/Y5V/25V/Z	EXP A TXN7C
EXP A TXP8	C108	0.1u/6/Y5V/25V/Z	EXP A TXP8C
EXP A TXN8	C109	0.1u/6/Y5V/25V/Z	EXP A TXN8C
EXP A TXP9	C110	0.1u/6/Y5V/25V/Z	EXP A TXP9C
EXP A TXN9	C111	0.1u/6/Y5V/25V/Z	EXP A TXN9C
EXP A TXP10	C112	0.1u/6/Y5V/25V/Z	EXP A TXP10C
EXP A TXN10	C113	0.1u/6/Y5V/25V/Z	EXP A TXN10C
EXP A TXP11	C114	0.1u/6/Y5V/25V/Z	EXP A TXP11C
EXP A TXN11	C115	0.1u/6/Y5V/25V/Z	EXP A TXN11C
EXP A TXP12	C116	0.1u/6/Y5V/25V/Z	EXP A TXP12C
EXP A TXN12	C117	0.1u/6/Y5V/25V/Z	EXP A TXN12C
EXP A TXP13	C118	0.1u/6/Y5V/25V/Z	EXP A TXP13C
EXP A TXN13	C119	0.1u/6/Y5V/25V/Z	EXP A TXN13C
EXP A TXP14	C120	0.1u/6/Y5V/25V/Z	EXP A TXP14C
EXP A TXN14	C121	0.1u/6/Y5V/25V/Z	EXP A TXN14C
EXP A TXP15	C122	0.1u/6/Y5V/25V/Z	EXP A TXP15C
EXP A TXN15	C123	0.1u/6/Y5V/25V/Z	EXP A TXN15C

EXP A RXP0	SR1	0/4	EXP A RXP0C
EXP A RXN0	SR2	0/4	EXP A RXN0C
EXP A RXP1	SR3	0/4	EXP A RXP1C
EXP A RXN1	SR4	0/4	EXP A RXN1C
EXP A RXP2	SR5	0/4	EXP A RXP2C
EXP A RXN2	SR6	0/4	EXP A RXN2C
EXP A RXP3	SR7	0/4	EXP A RXP3C
EXP A RXN3	SR8	0/4	EXP A RXN3C
EXP A RXP4	SR9	0/4	EXP A RXP4C
EXP A RXN4	SR10	0/4	EXP A RXN4C
EXP A RXP5	SR11	0/4	EXP A RXP5C
EXP A RXN5	SR12	0/4	EXP A RXN5C
EXP A RXP6	SR13	0/4	EXP A RXP6C
EXP A RXN6	SR14	0/4	EXP A RXN6C
EXP A RXP7	SR15	0/4	EXP A RXP7C
EXP A RXN7	SR16	0/4	EXP A RXN7C
EXP A RXP8	SR17	0/4	EXP A RXP8C
EXP A RXN8	SR18	0/4	EXP A RXN8C
EXP A RXP9	SR19	0/4	EXP A RXP9C
EXP A RXN9	SR20	0/4	EXP A RXN9C
EXP A RXP10	SR21	0/4	EXP A RXP10C
EXP A RXN10	SR22	0/4	EXP A RXN10C
EXP A RXP11	SR23	0/4	EXP A RXP11C
EXP A RXN11	SR24	0/4	EXP A RXN11C
EXP A RXP12	SR25	0/4	EXP A RXP12C
EXP A RXN12	SR26	0/4	EXP A RXN12C
EXP A RXP13	SR27	0/4	EXP A RXP13C
EXP A RXN13	SR28	0/4	EXP A RXN13C
EXP A RXP14	SR29	0/4	EXP A RXP14C
EXP A RXN14	SR30	0/4	EXP A RXN14C
EXP A RXP15	SR31	0/4	EXP A RXP15C
EXP A RXN15	SR32	0/4	EXP A RXN15C

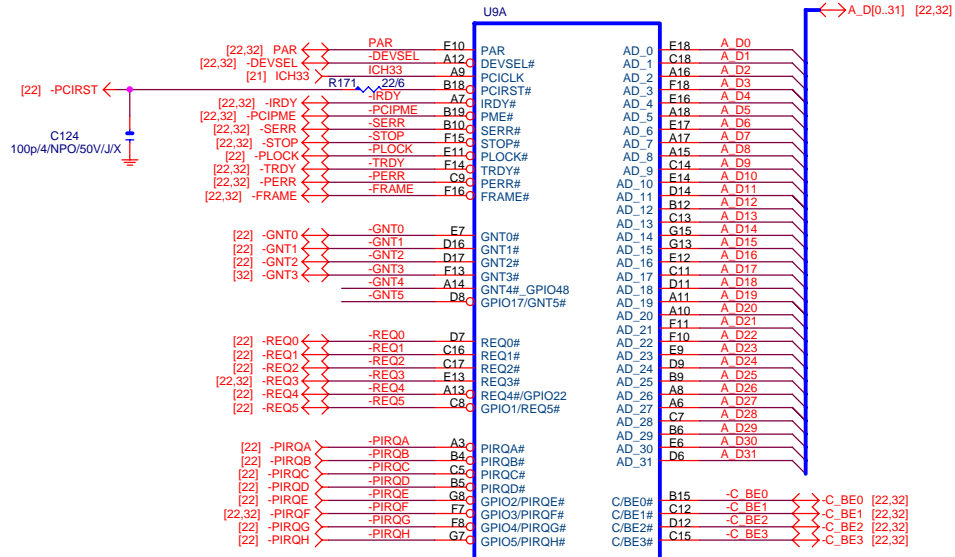
[18] PCIE_OP0	PCIE_OP0	SR49	0/4/X	EXP A TXP0C
[18] PCIE_ON0	PCIE_ON0	SR50	0/4/X	EXP A TXN0C
[18] PCIE_OP1	PCIE_OP1	SR51	0/4/X	EXP A TXP1C
[18] PCIE_ON1	PCIE_ON1	SR52	0/4/X	EXP A TXN1C
[18] PCIE_OP2	PCIE_OP2	SR53	0/4/X	EXP A TXP2C
[18] PCIE_ON2	PCIE_ON2	SR54	0/4/X	EXP A TXN2C
[18] PCIE_OP3	PCIE_OP3	SR55	0/4/X	EXP A TXP3C
[18] PCIE_ON3	PCIE_ON3	SR56	0/4/X	EXP A TXN3C

[18] PCIE_IP0	PCIE_IP0	SR53	0/4/X	EXP A RXP0C
[18] PCIE_IN0	PCIE_IN0	SR54	0/4/X	EXP A RXN0C
[18] PCIE_IP1	PCIE_IP1	SR55	0/4/X	EXP A RXP1C
[18] PCIE_IN1	PCIE_IN1	SR56	0/4/X	EXP A RXN1C
[18] PCIE_IP2	PCIE_IP2	SR57	0/4/X	EXP A RXP2C
[18] PCIE_IN2	PCIE_IN2	SR58	0/4/X	EXP A RXN2C
[18] PCIE_IP3	PCIE_IP3	SR59	0/4/X	EXP A RXP3C
[18] PCIE_IN3	PCIE_IN3	SR60	0/4/X	EXP A RXN3C

Gigabyte Technology

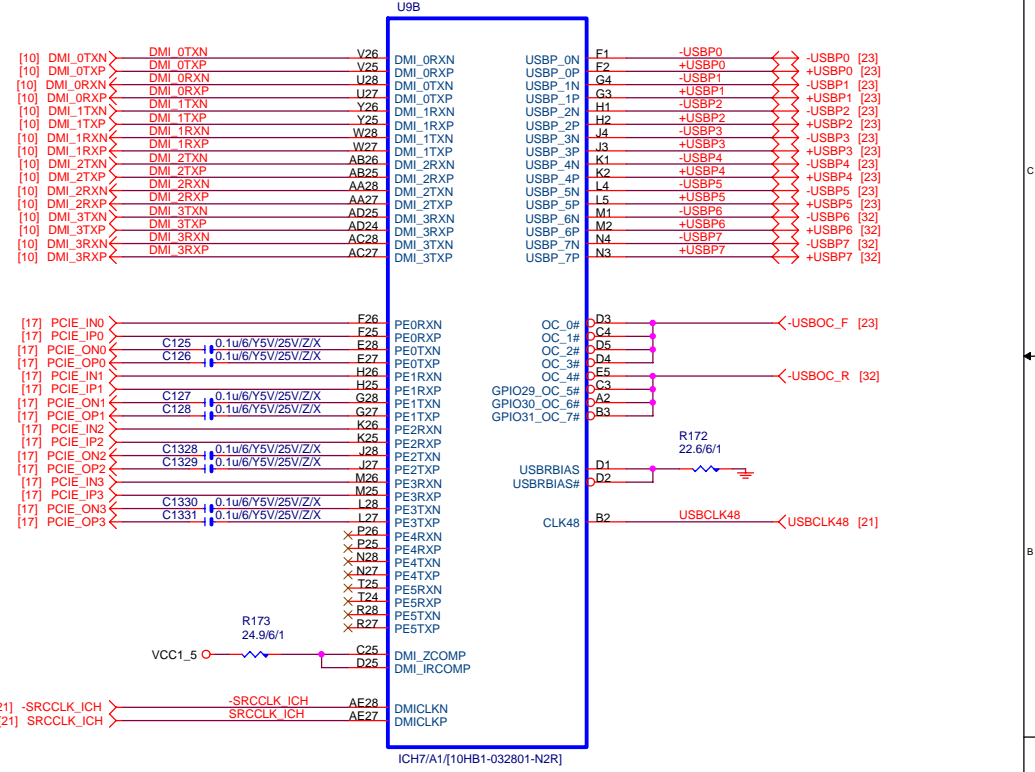
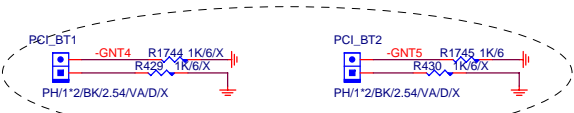
PCI EXPRESS * 16

Title	Document Number	Rev
	81945GME	1.0
Date:	Monday, October 31, 2005	Sheet 17 of 33

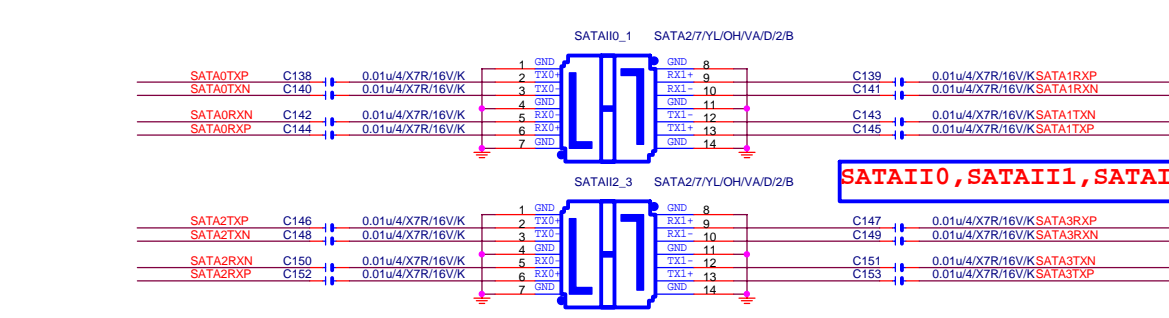
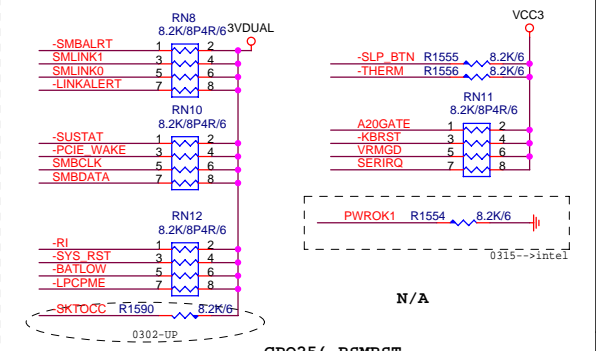
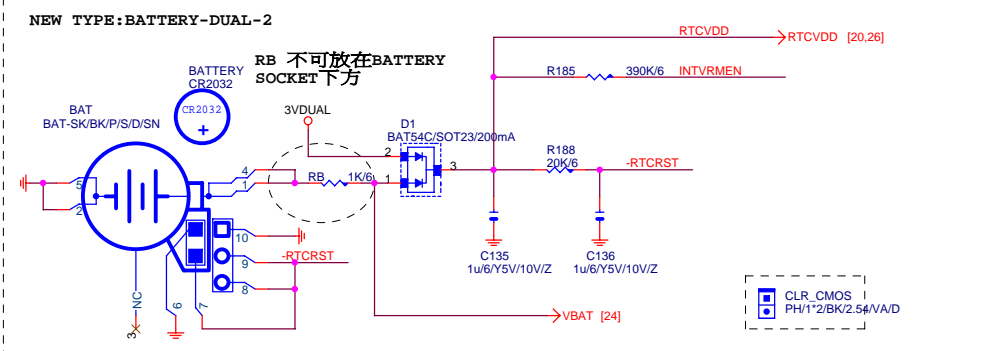
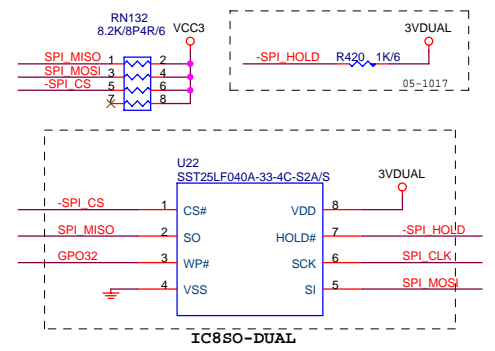
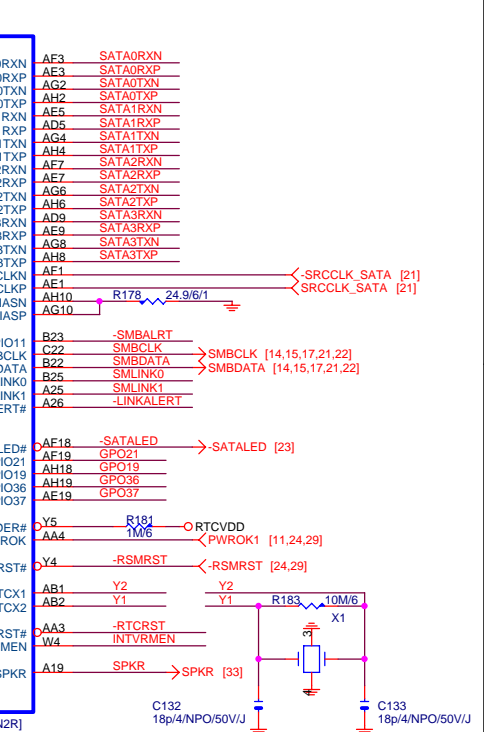
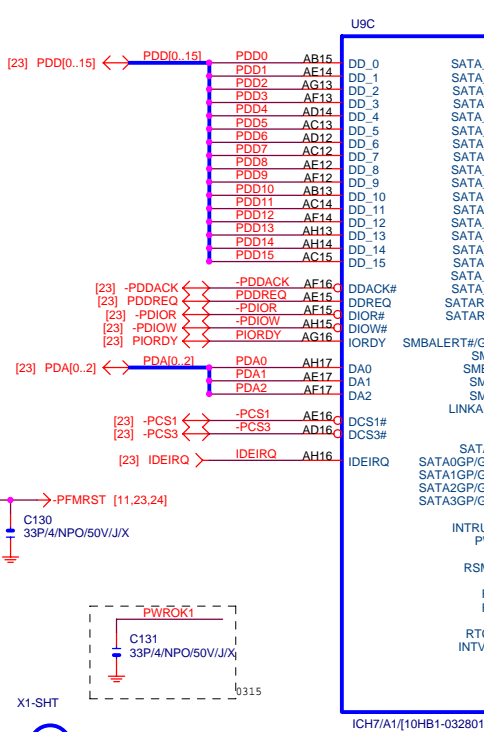
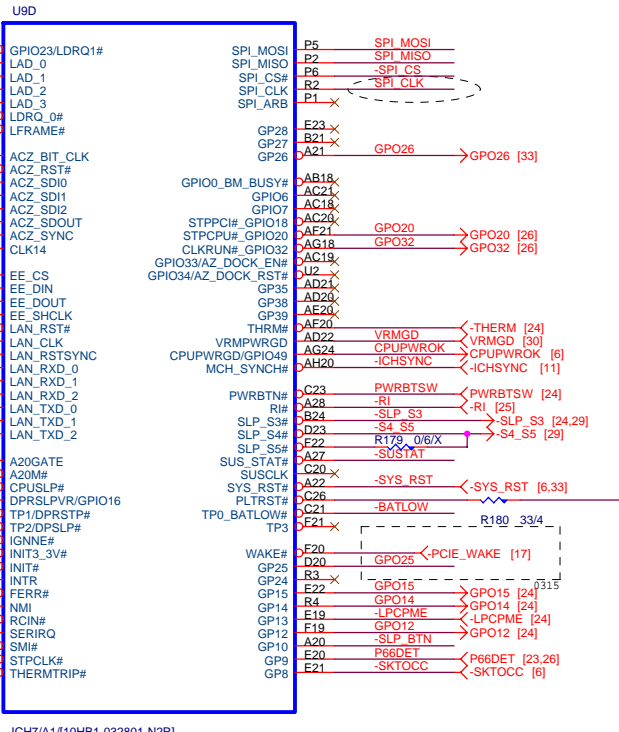
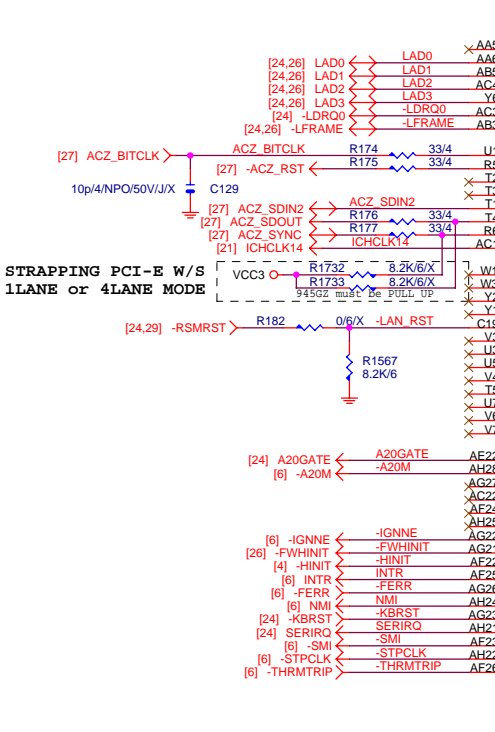


ICH7/A1/[10HB1-032801-N2R]
 01=SPI
 10=PCI
 11=LPCI(DEFAULT)

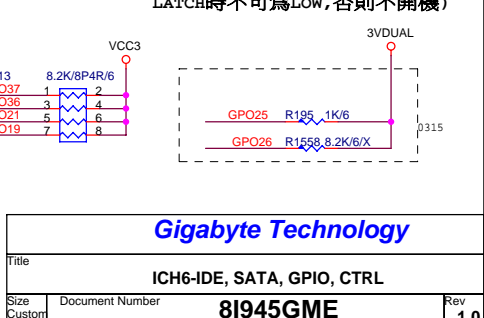
Pb-Free



Gigabyte Technology		
Title		
ICH6-PCI, DMI, LAN, USB		
Size	Document Number	Rev
B	81945GME	1.0
Date:	Monday, October 31, 2005	Sheet 18 of 33

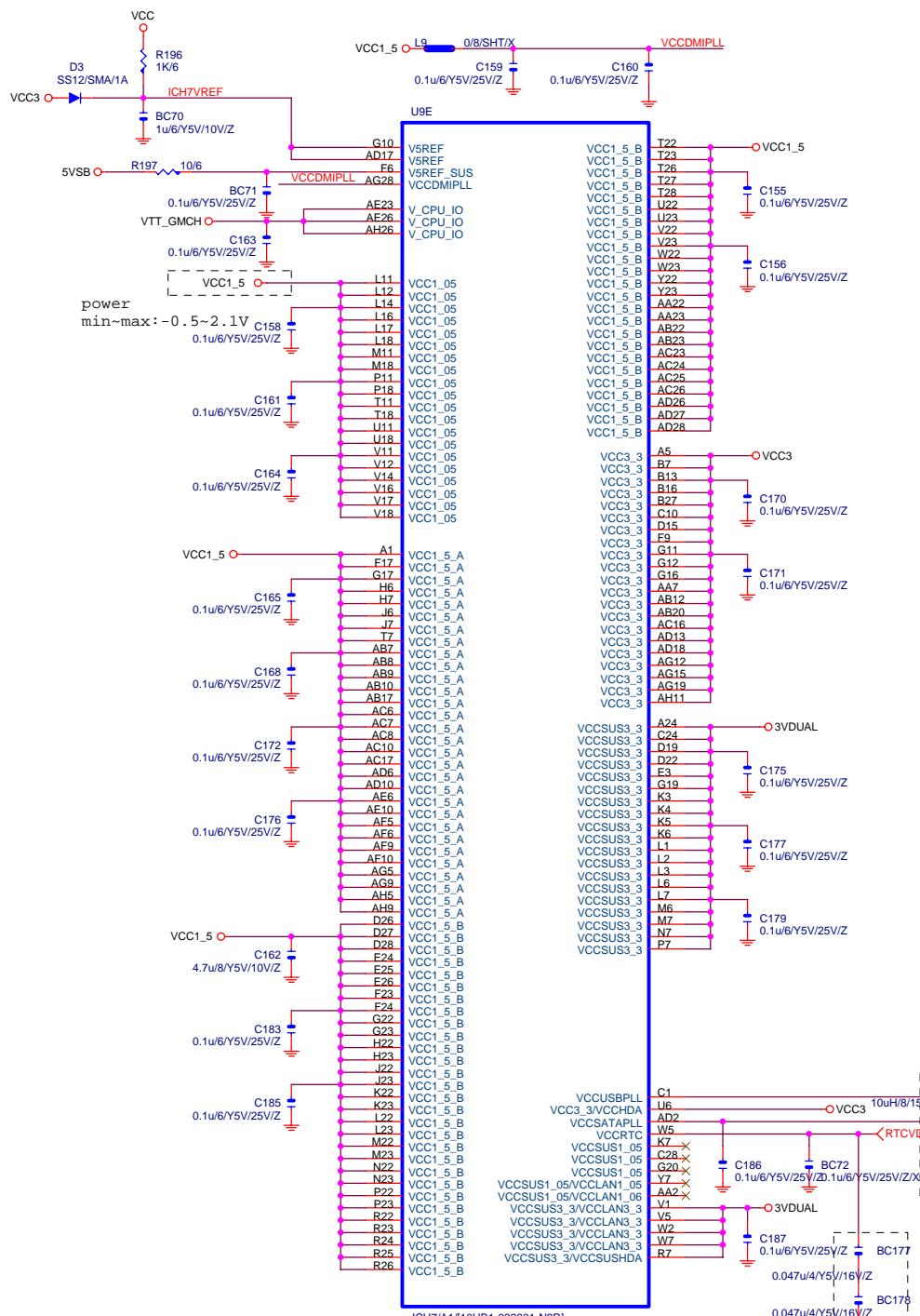


SATAII0, SATAII1, SATAII2, SATAII3文字面各別分開



U9F		
A4	VSS1	R14
A23	VSS2	R15
B1	VSS3	R16
B8	VSS4	R17
B11	VSS5	R18
B14	VSS6	T6
B17	VSS7	T12
B20	VSS8	T13
B26	VSS9	T14
B28	VSS10	T15
C2	VSS11	T16
C6	VSS12	T17
D10	VSS13	U4
D13	VSS14	U12
D18	VSS15	U13
D21	VSS16	U14
D24	VSS17	U15
E1	VSS18	U16
E2	VSS19	U17
E8	VSS20	U24
E15	VSS21	U25
F3	VSS22	U26
F4	VSS23	V12
F6	VSS24	V13
F12	VSS25	V15
F27	VSS26	V24
F28	VSS27	V27
G1	VSS28	V28
G2	VSS29	W6
G5	VSS30	W24
G6	VSS31	W25
G9	VSS32	W26
G14	VSS33	Y3
G18	VSS34	Y24
G21	VSS35	Y27
G24	VSS36	Y28
G25	VSS37	AA1
G26	VSS38	AA24
H3	VSS39	AA25
H4	VSS40	AA26
H5	VSS41	AB4
H24	VSS42	AB6
H27	VSS43	AB11
H28	VSS44	AB14
J1	VSS45	AB16
J2	VSS46	AB19
J5	VSS47	AB21
J24	VSS48	AB24
J25	VSS49	AB27
J26	VSS50	AB28
K24	VSS51	AC2
K27	VSS52	AC5
K28	VSS53	AC9
L13	VSS54	AC11
L15	VSS55	AD1
L24	VSS56	AD3
L25	VSS57	AD4
L26	VSS58	AD7
M3	VSS59	AD8
M4	VSS60	AD11
M5	VSS61	AD15
M12	VSS62	AD19
M13	VSS63	AD23
M14	VSS64	AE2
M15	VSS65	AE4
M16	VSS66	AE8
M17	VSS67	AE11
M24	VSS68	AE13
M27	VSS69	AE18
M28	VSS70	AE21
N1	VSS71	AE24
N2	VSS72	AE25
N5	VSS73	AF2
N6	VSS74	AF4
N11	VSS75	AF8
N12	VSS76	AF11
N13	VSS77	AF27
N14	VSS78	AF28
N15	VSS79	AG1
N16	VSS80	AG3
N17	VSS81	AG7
N18	VSS82	AG14
N24	VSS83	AG17
N25	VSS84	AG20
N26	VSS85	AG25
P3	VSS86	AH1
P4	VSS87	AH3
P12	VSS88	AH7
P13	VSS89	AH12
P14	VSS90	AH23
P15	VSS91	AH27
P16	VSS92	C27
P17	VSS93	E4
P24	VSS94	AG11
P27	VSS95	
P28	VSS96	
R1	VSS97	
R11	VSS98	
R12	VSS99	
R13	VSS100	

ICH7/A1[10HB1-032801-N2R]



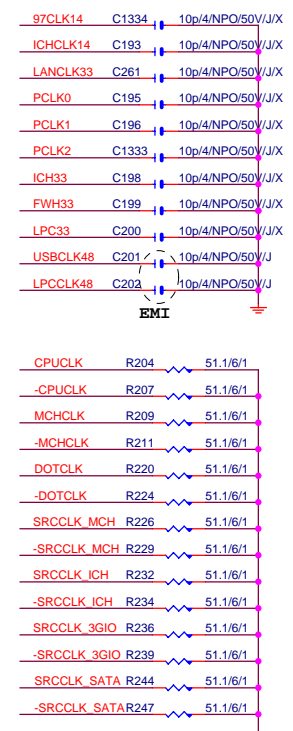
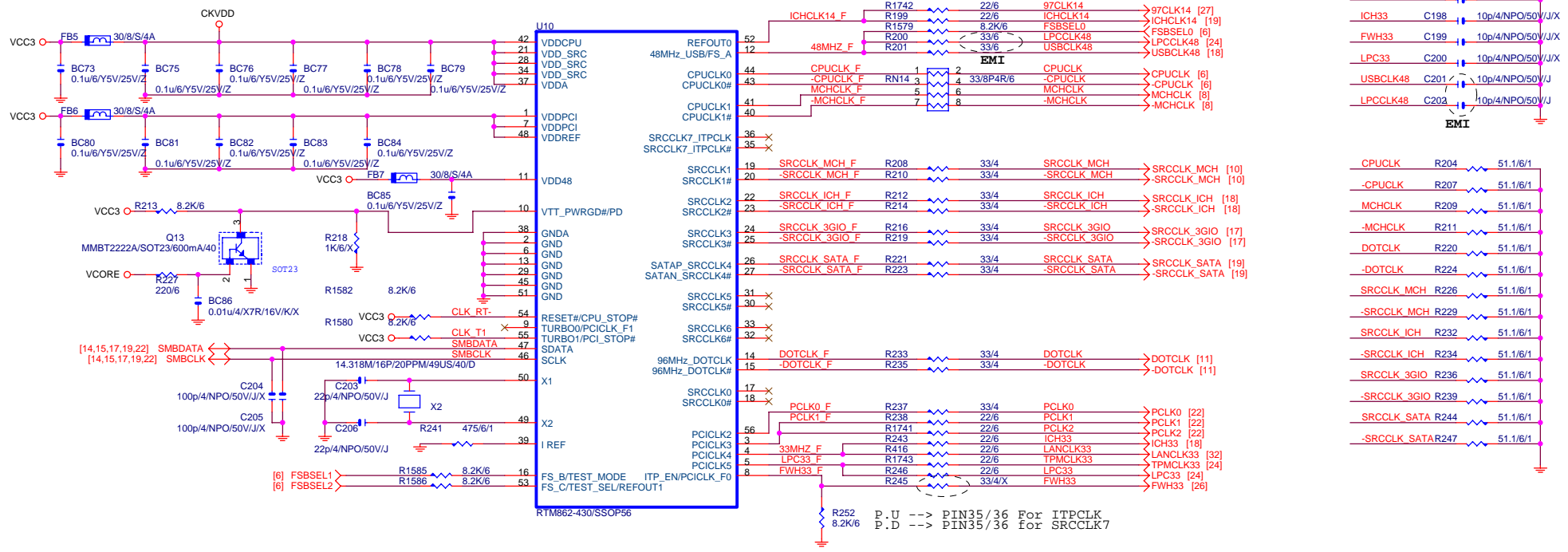
ICH7/A1[10HB1-032801-N2R]

Gigabyte Technology

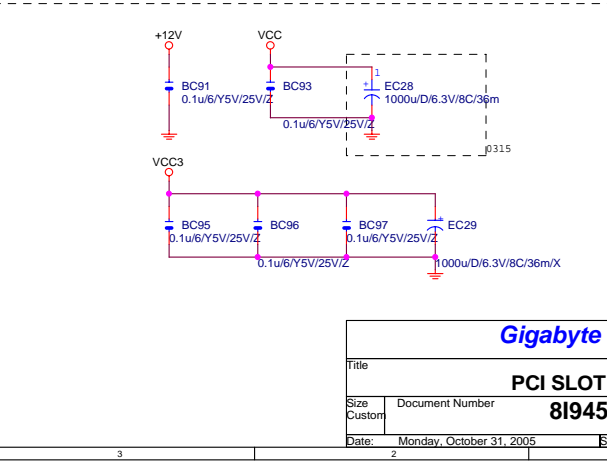
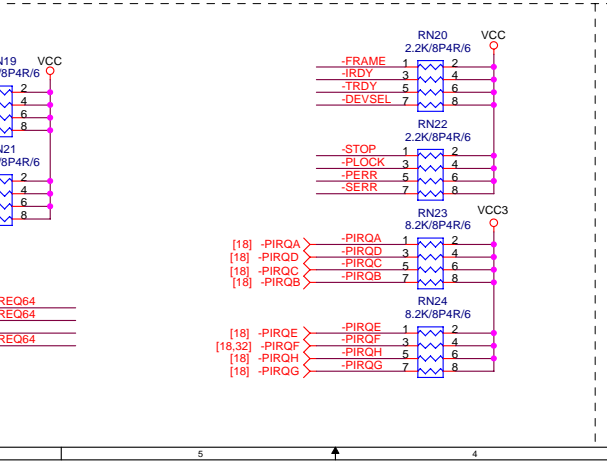
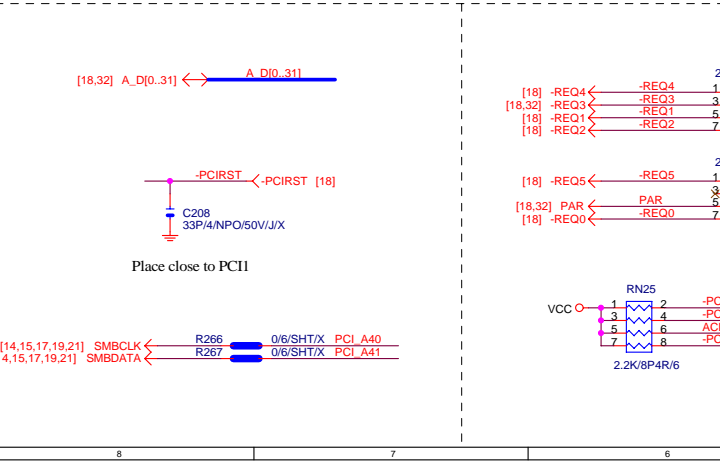
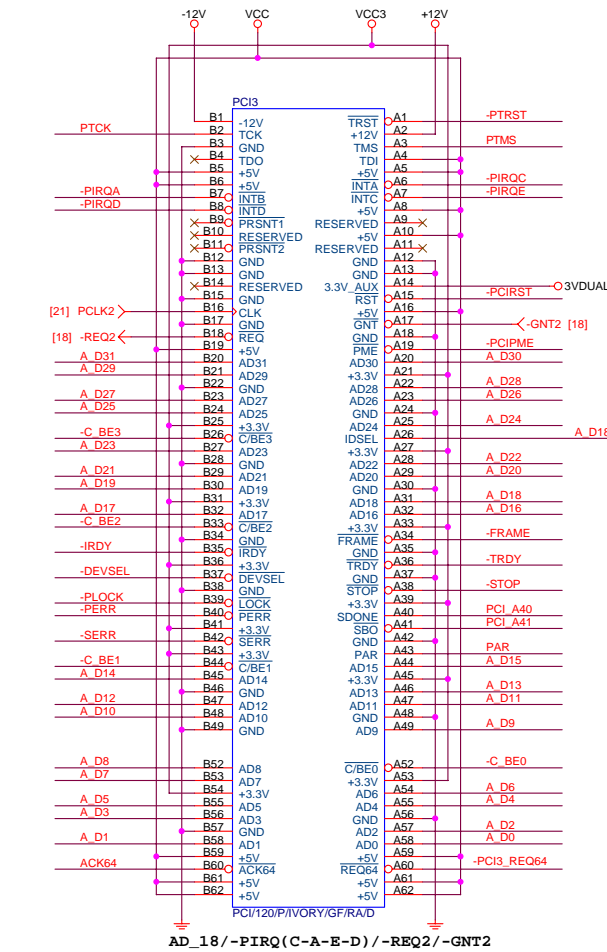
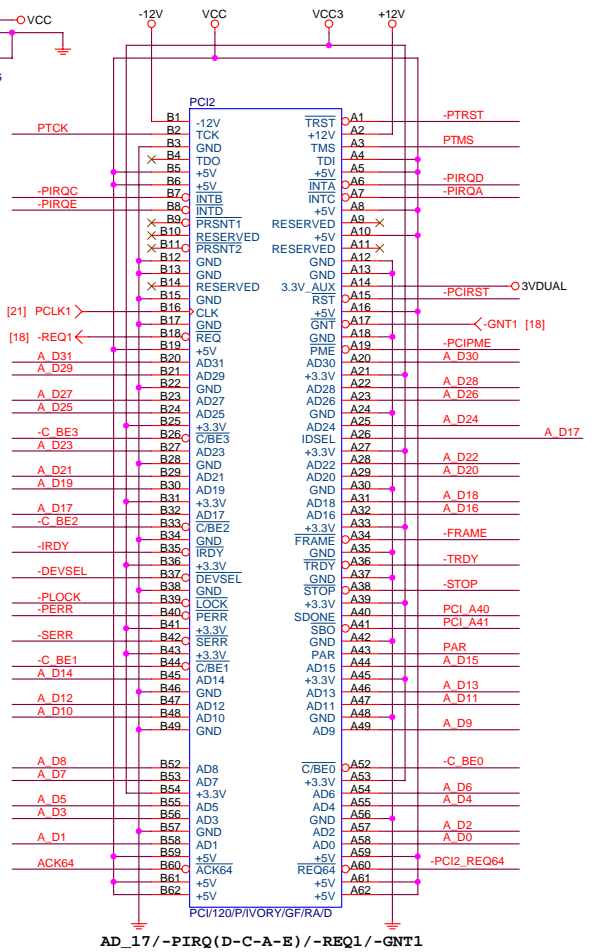
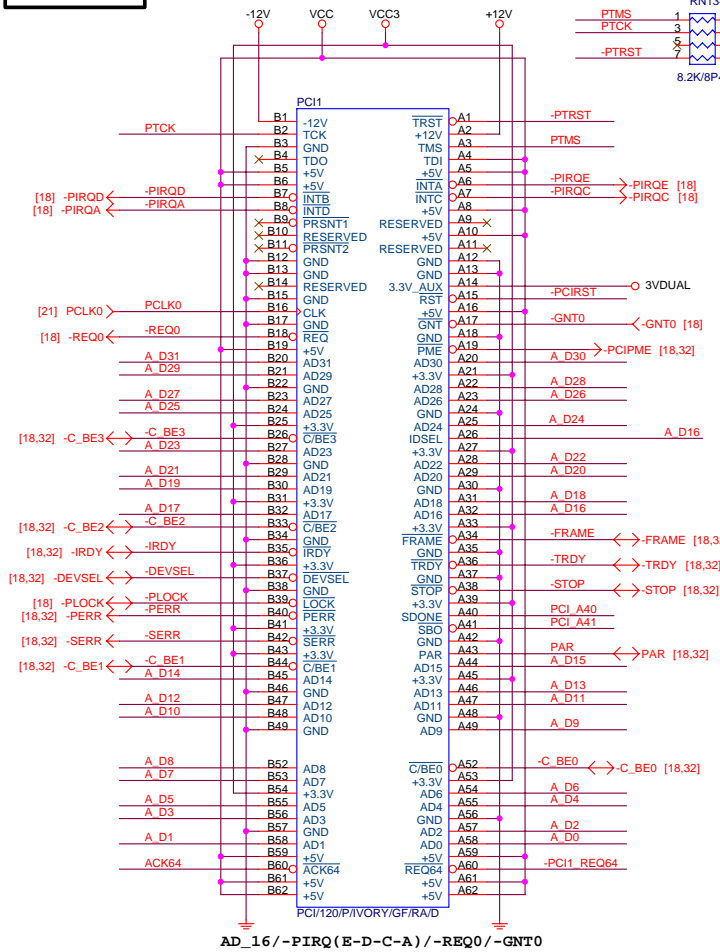
ICH6-PWR & GND

Title		ICH6-PWR & GND	
Size	Document Number	81945GME	
B		Rev 1.0	
Date:	Monday, October 31, 2005	Sheet	20 of 33

FOR 漏電



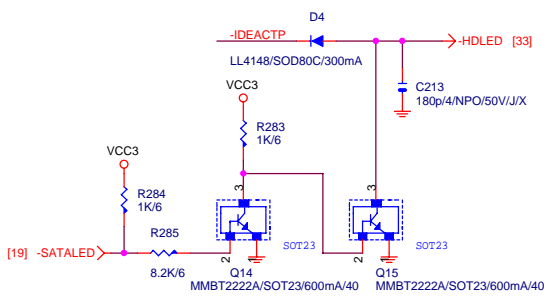
PCI1, 2 SLOT



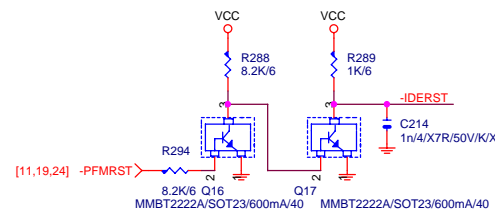
Gigabyte Technology

PCI SLOT 1, 2/PCIEX1		Rev 1.0
81945GME		
Title	Document Number	Date
Size	Custorm	Monday, October 31, 2005
Sheet 22 of 33		1

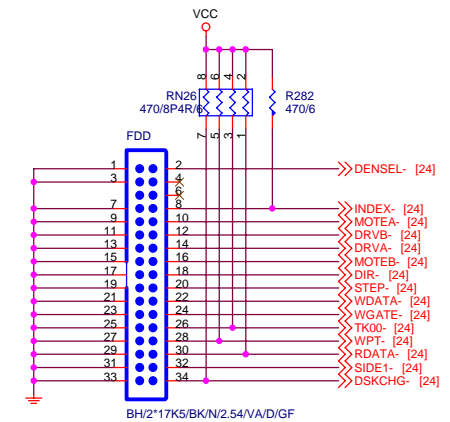
IDE/SATA LED



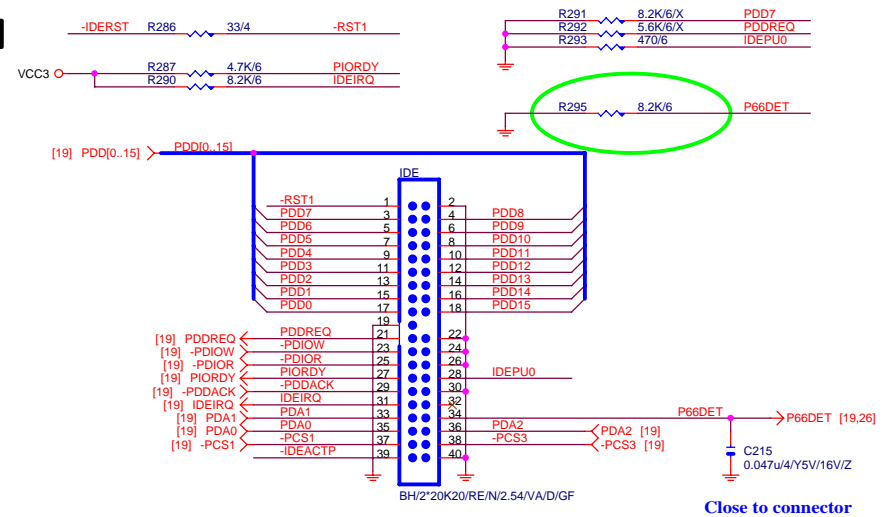
IDE RESET



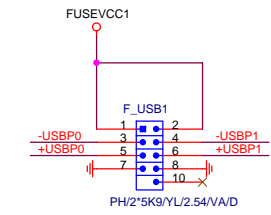
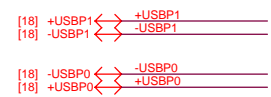
FLOPPY



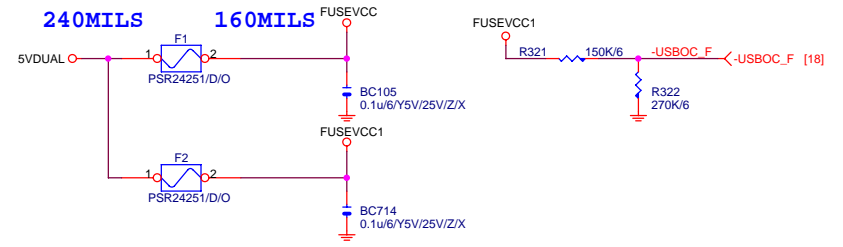
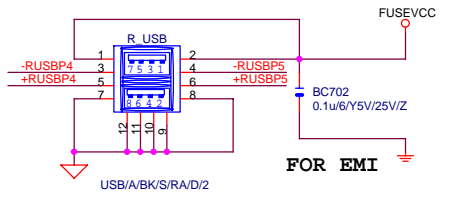
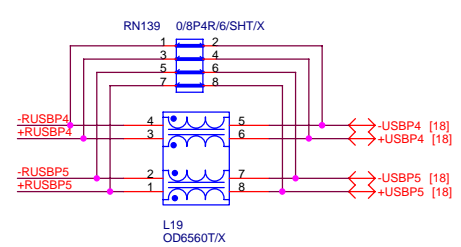
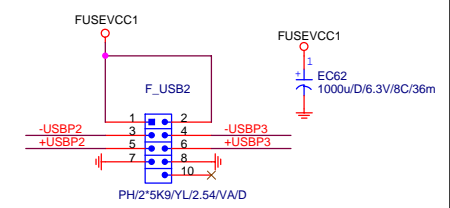
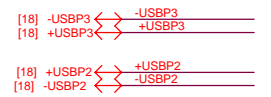
IDE



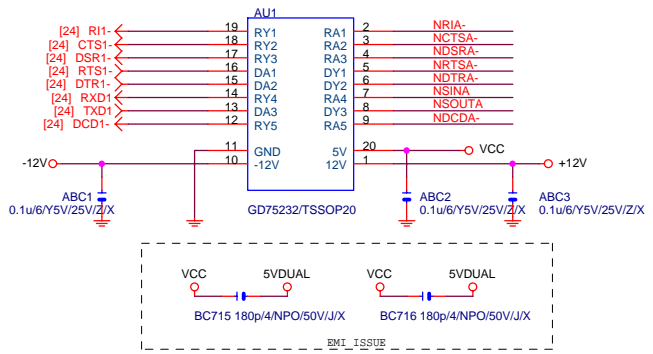
FRONT USB1



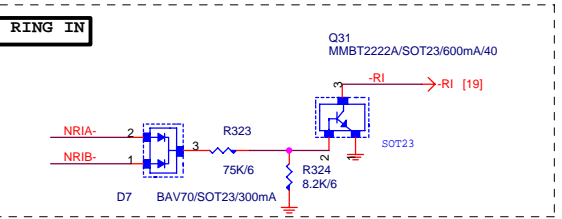
FRONT USB2



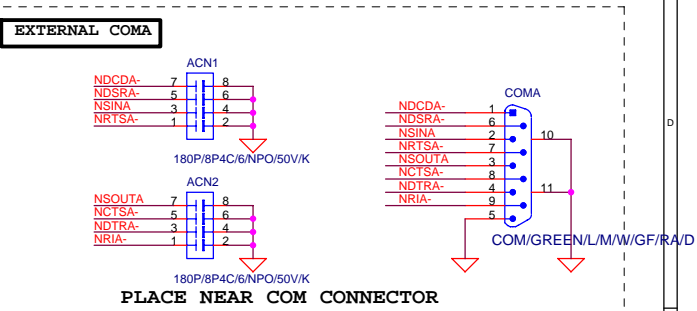
COMA



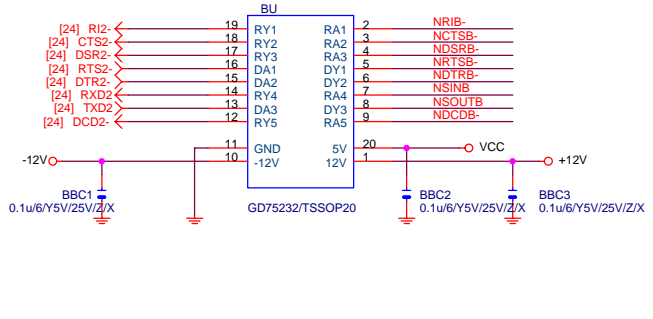
RING IN



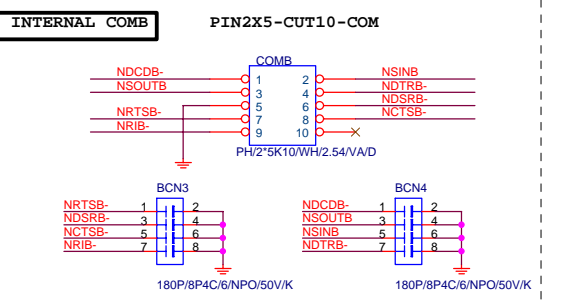
EXTERNAL COMA



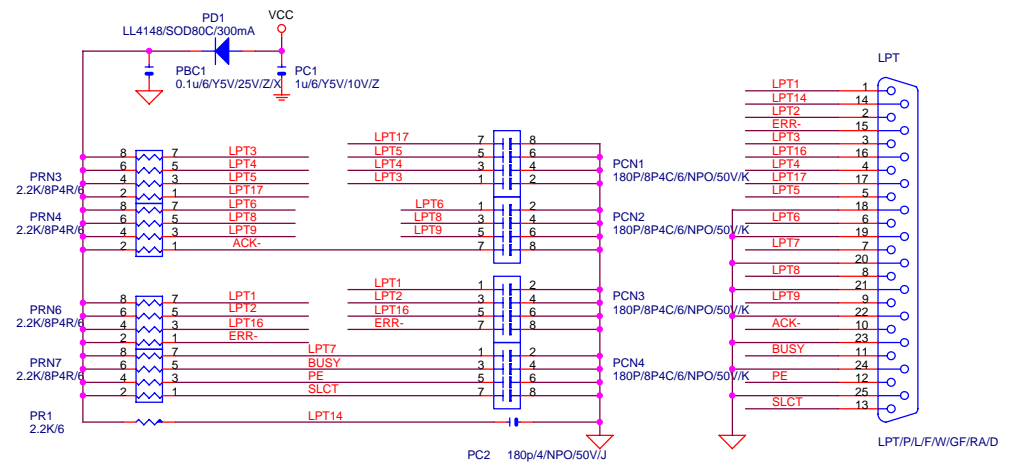
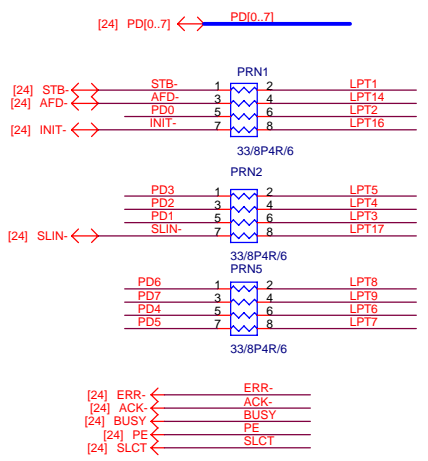
COMB



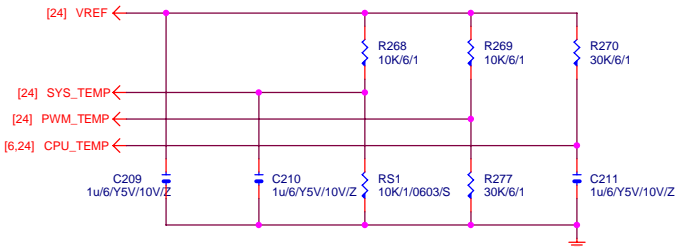
INTERNAL COMB



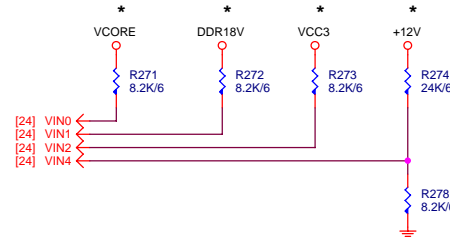
LPT PORT



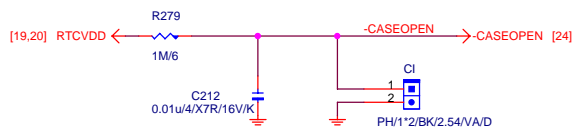
TEMP H/W MONITOR



VOLTAGE-- H/W MONITOR

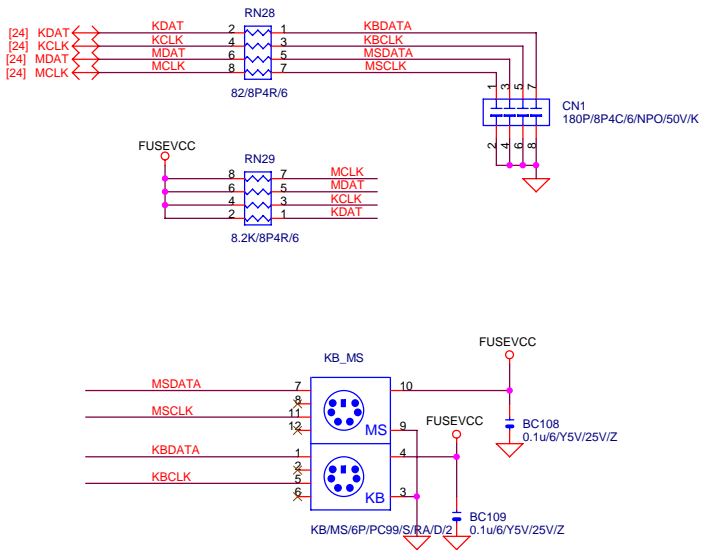


CASE OPEN

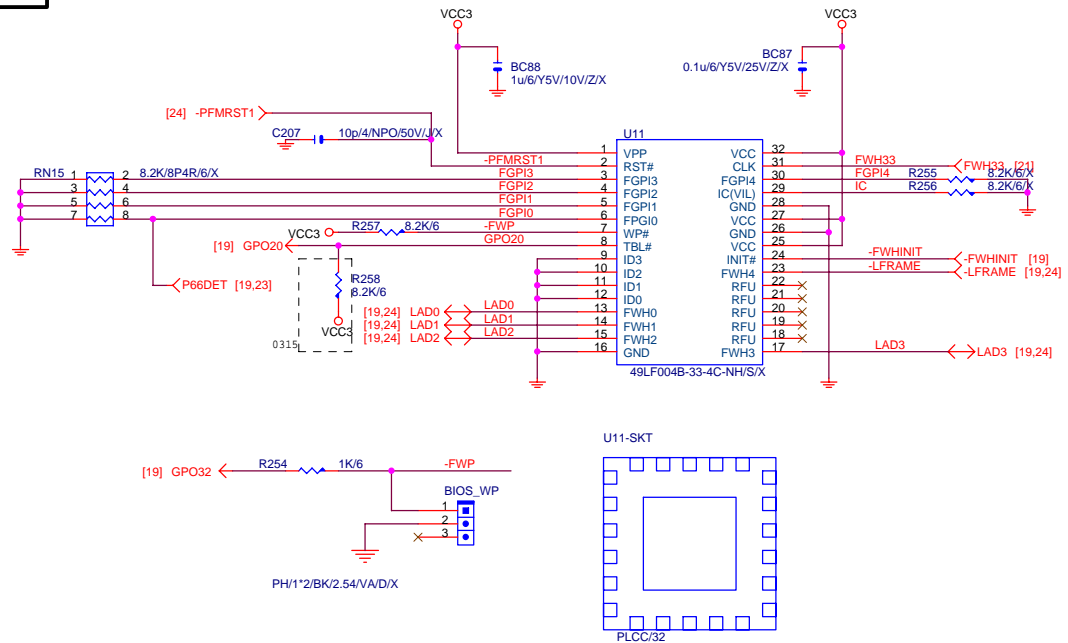


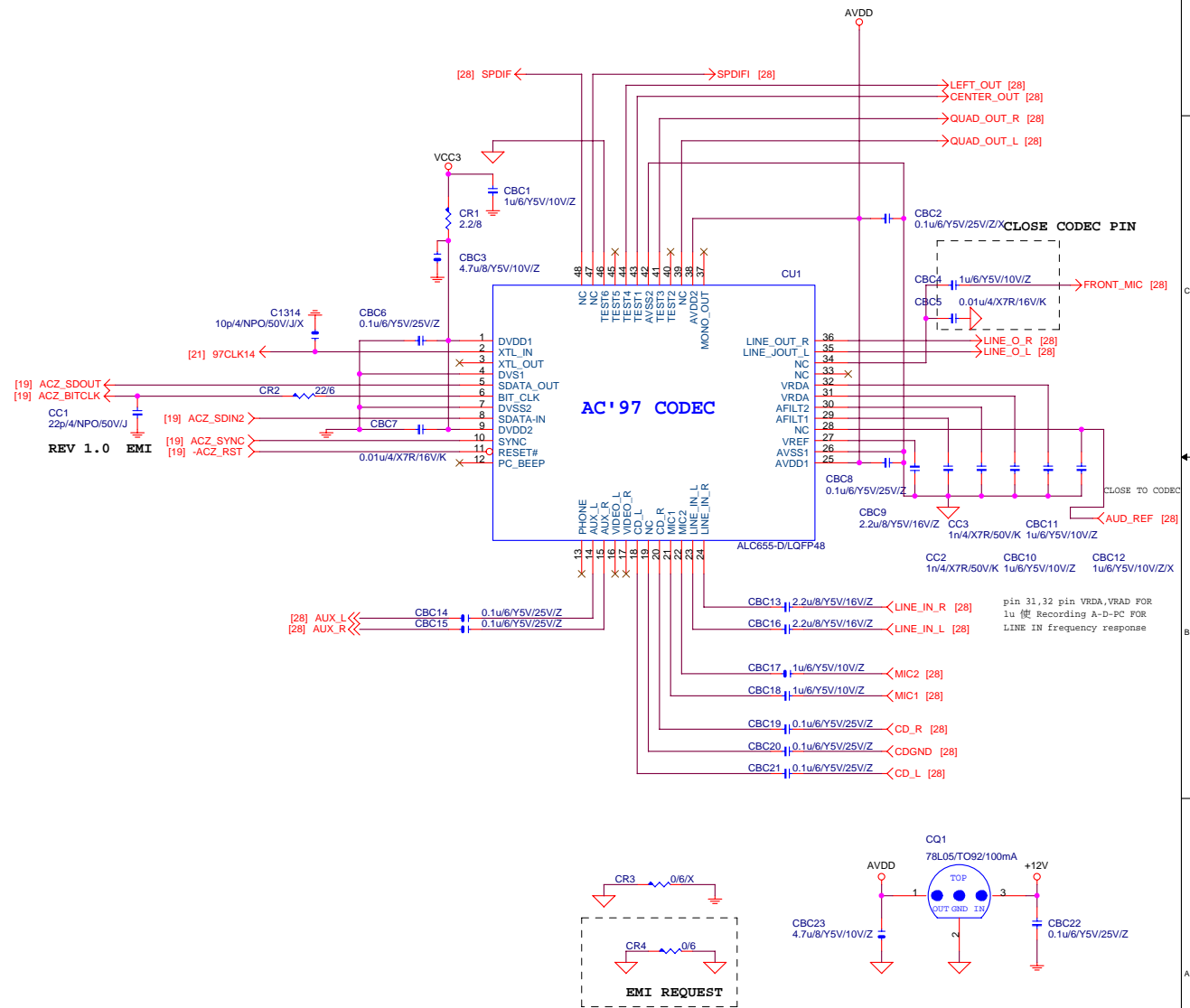
Case Open Circuits

KB/MS



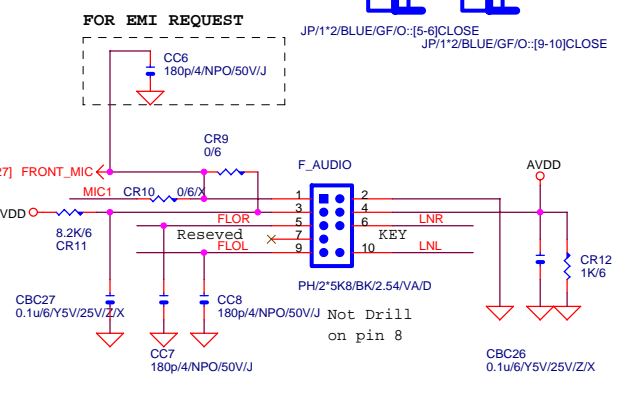
FWM BIOS



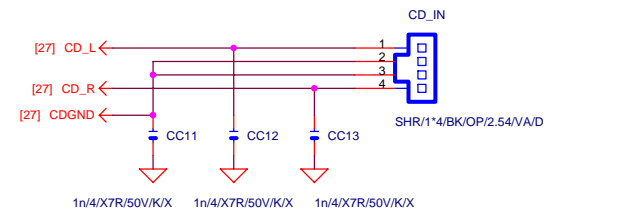


Gigabyte Technology		
AUDIO (ALC655)		
Title		
Size	Document Number	Rev
Custom	8I945GME	1.0
Date:	Monday, October 31, 2005	Sheet 27 of 33

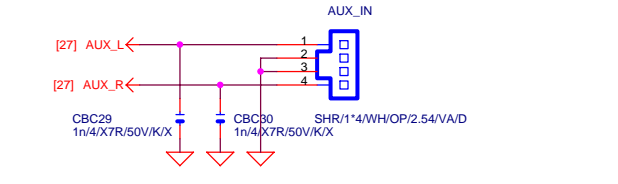
INTEL FRONT AUDIO



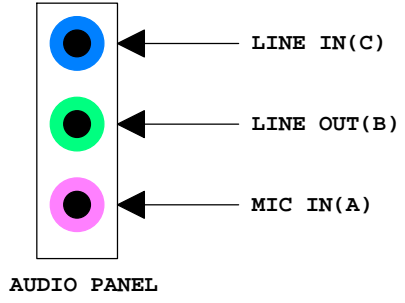
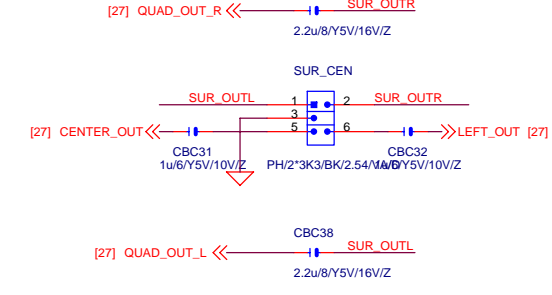
CD IN



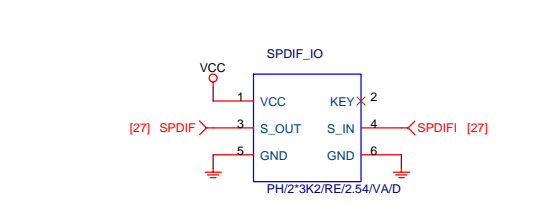
AUX IN



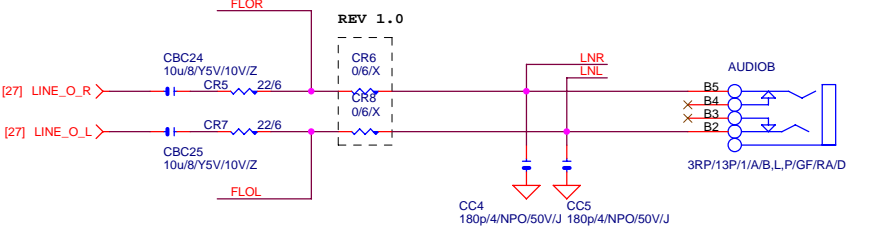
SUR_CEN



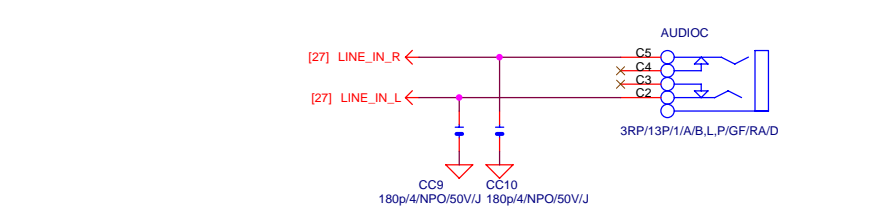
SPDIF_IO



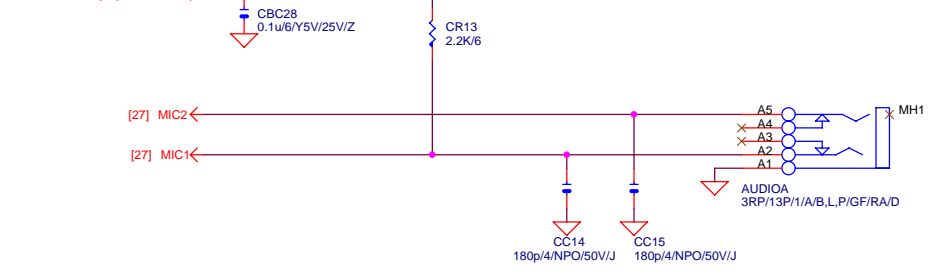
LINE OUT



LINE-IN

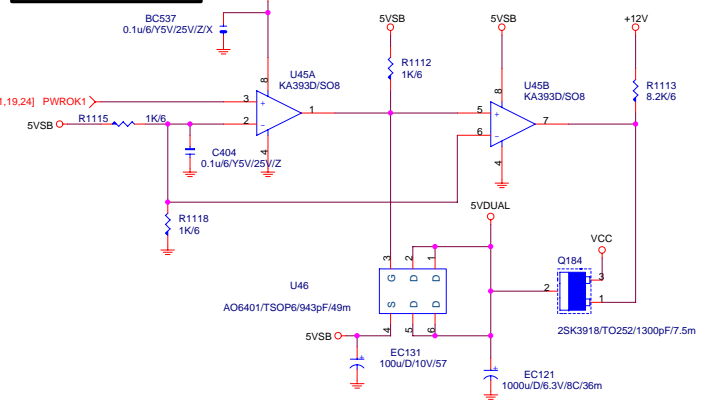


MIC

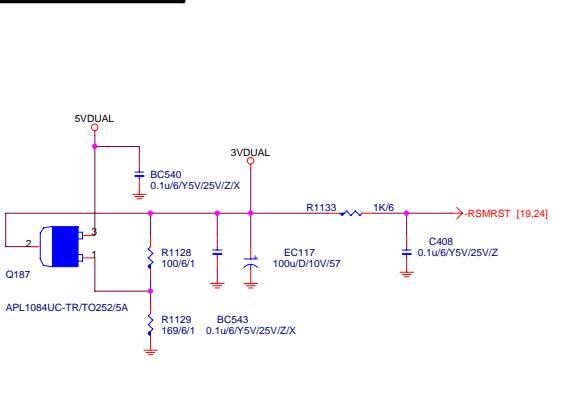


Gigabyte Technology		
Title		
AUDIO OUTPUT		
Size Custom	Document Number	Rev
	8I945GME	1.0
Date:	Monday, October 31, 2005	Sheet 28 of 33

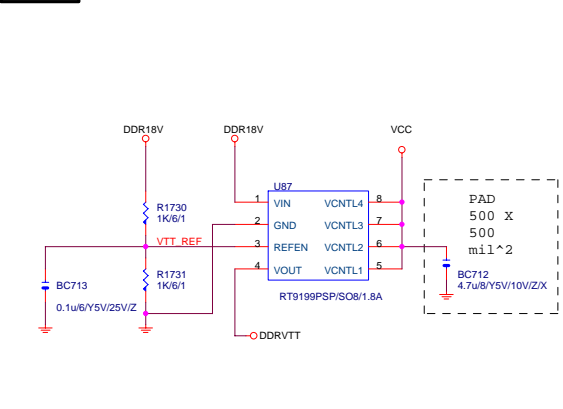
5VDUAL CIRCUIT



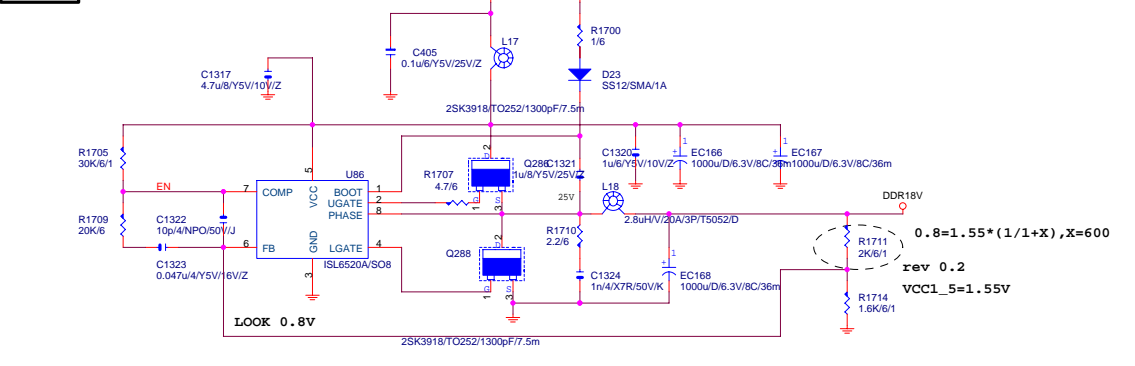
3VDUAL CIRCUIT



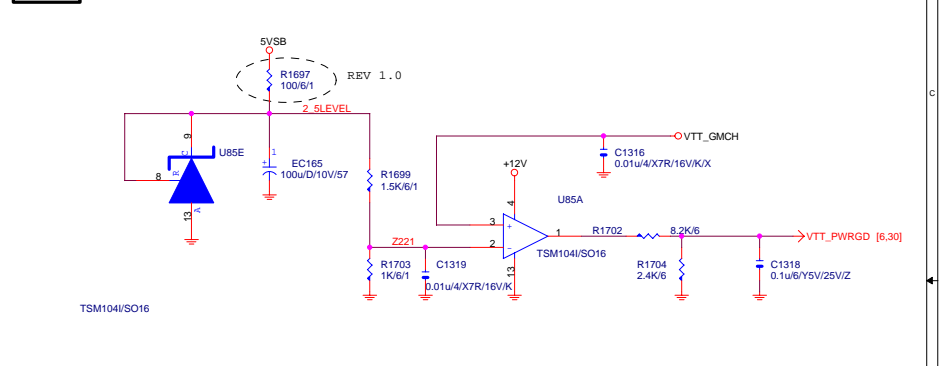
DDRVTT



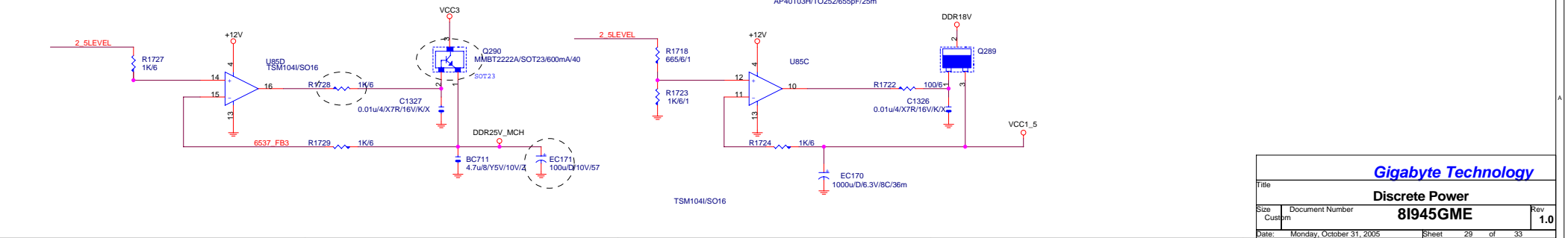
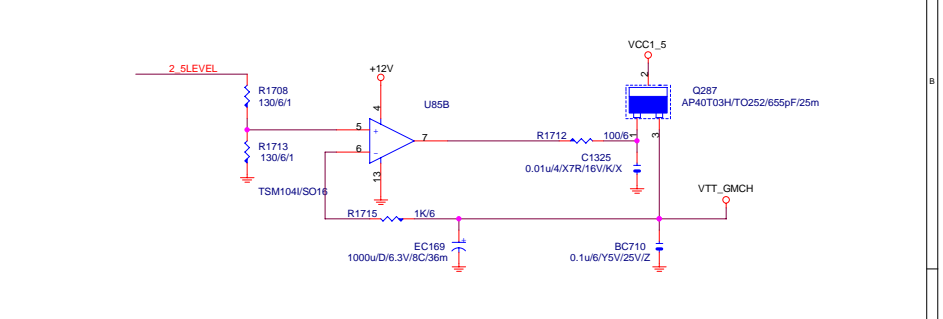
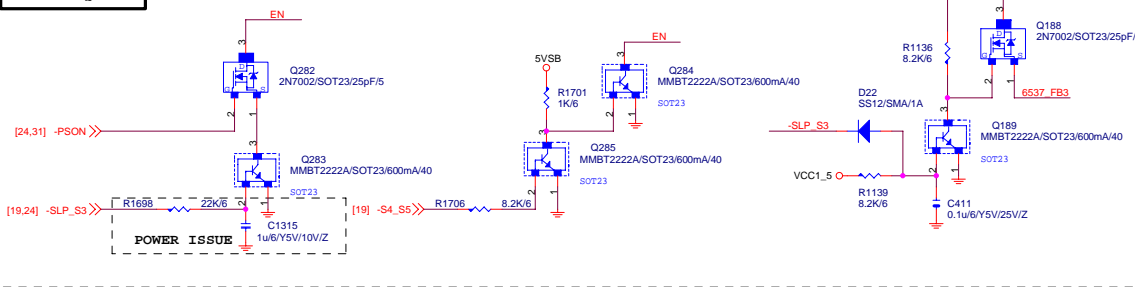
DDR18V

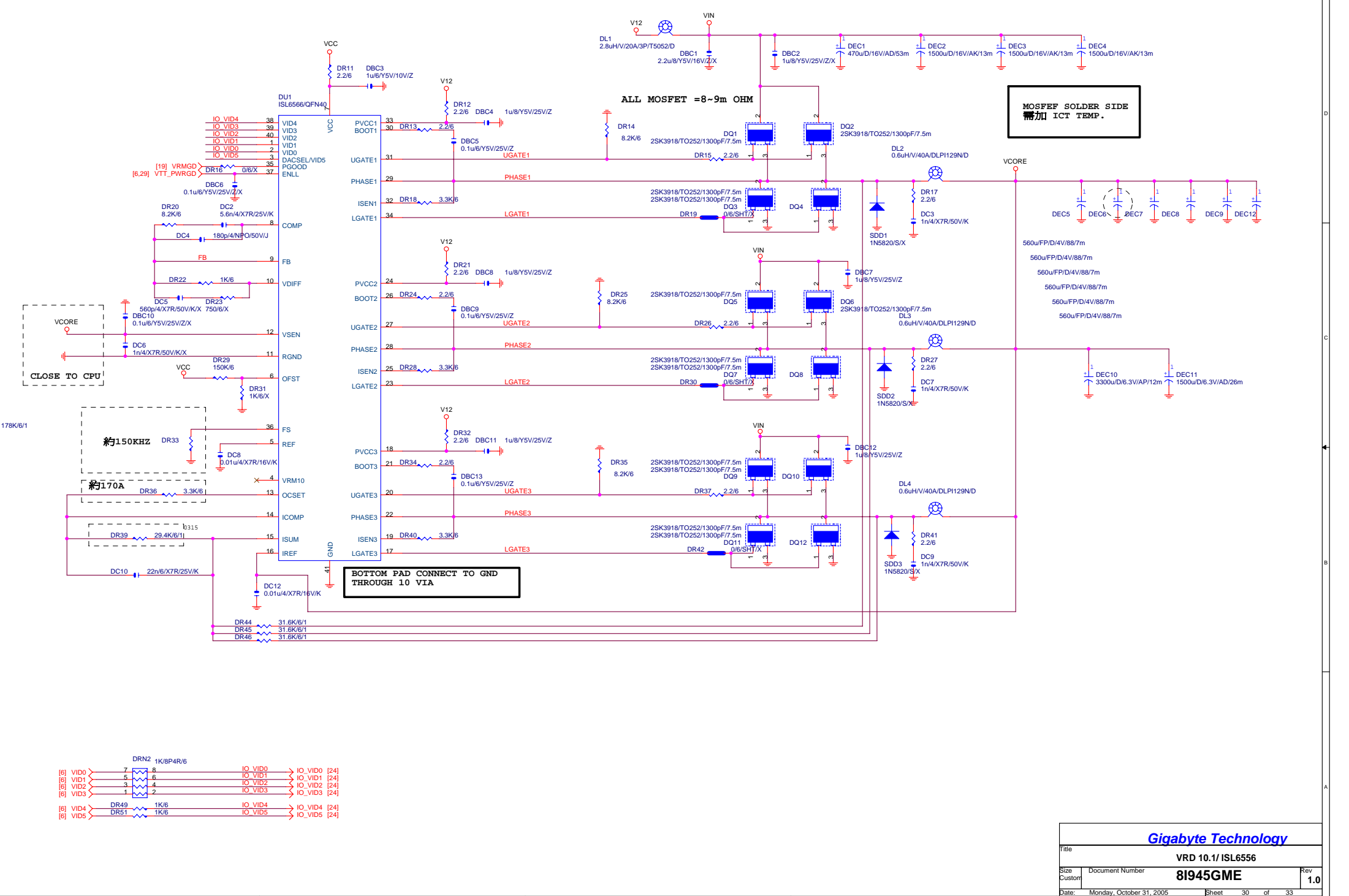


POWER

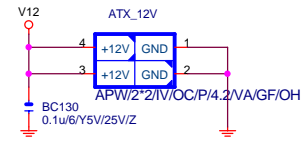
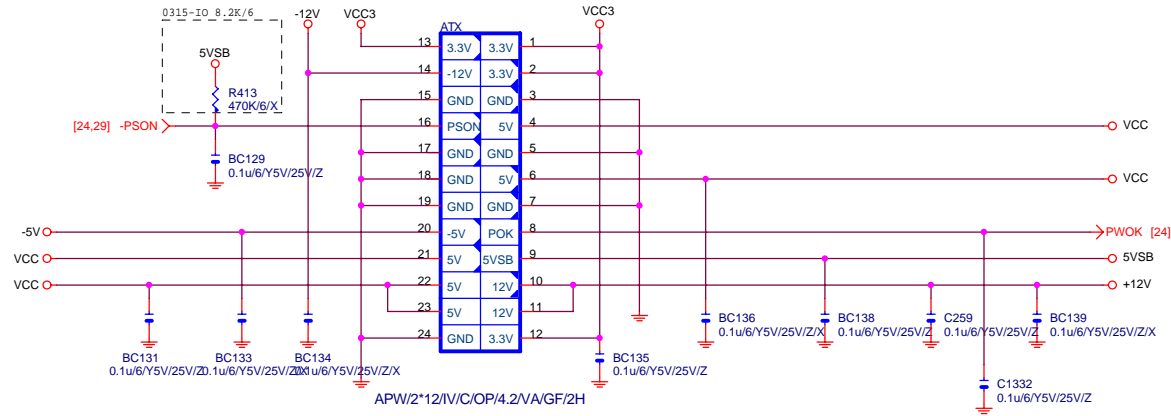


POWER SEQUENCY

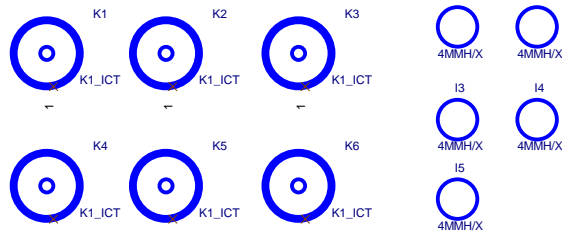
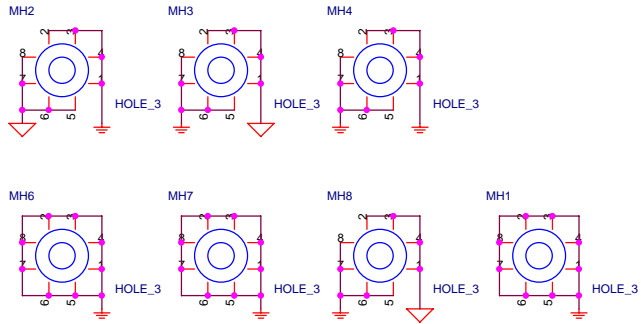




ATX POWER CONNECTOR

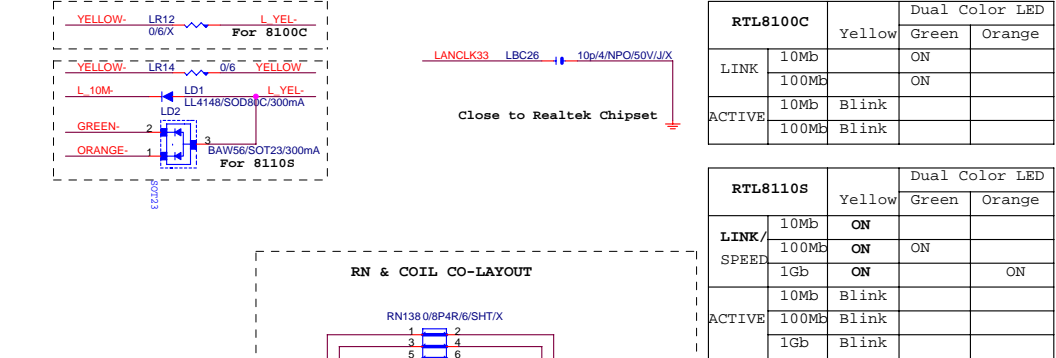
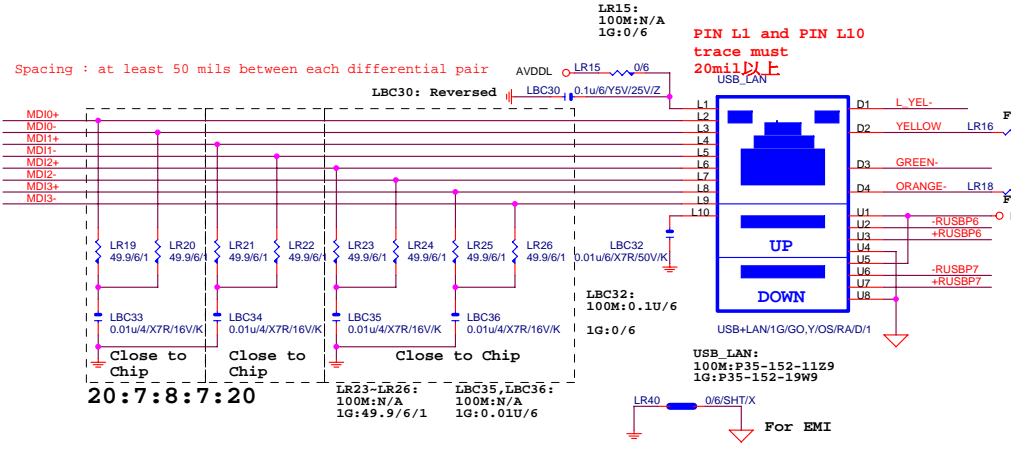
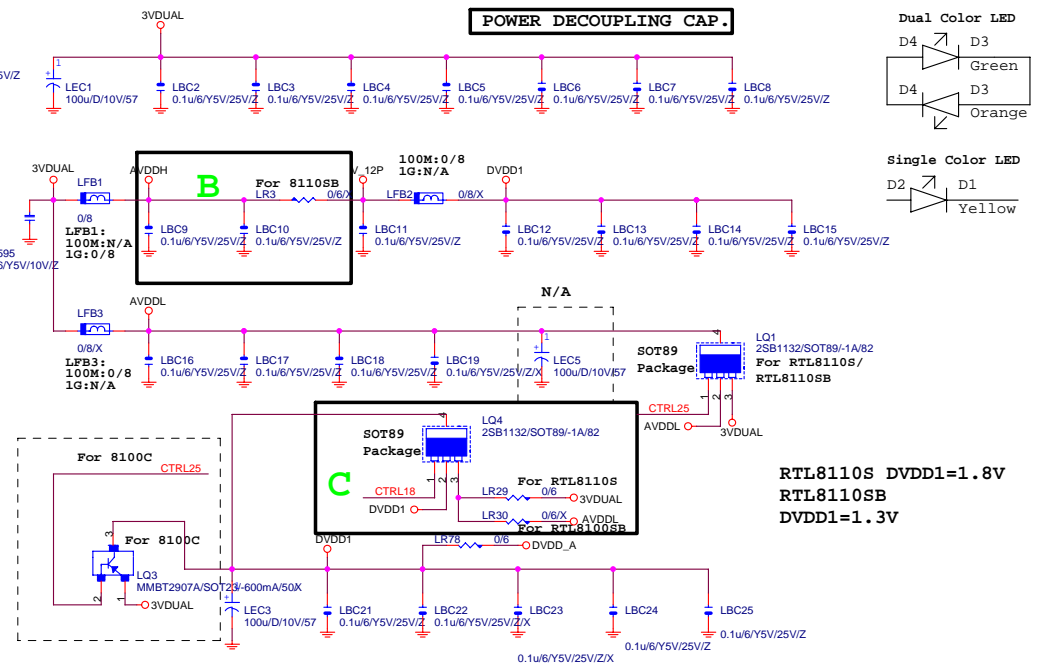
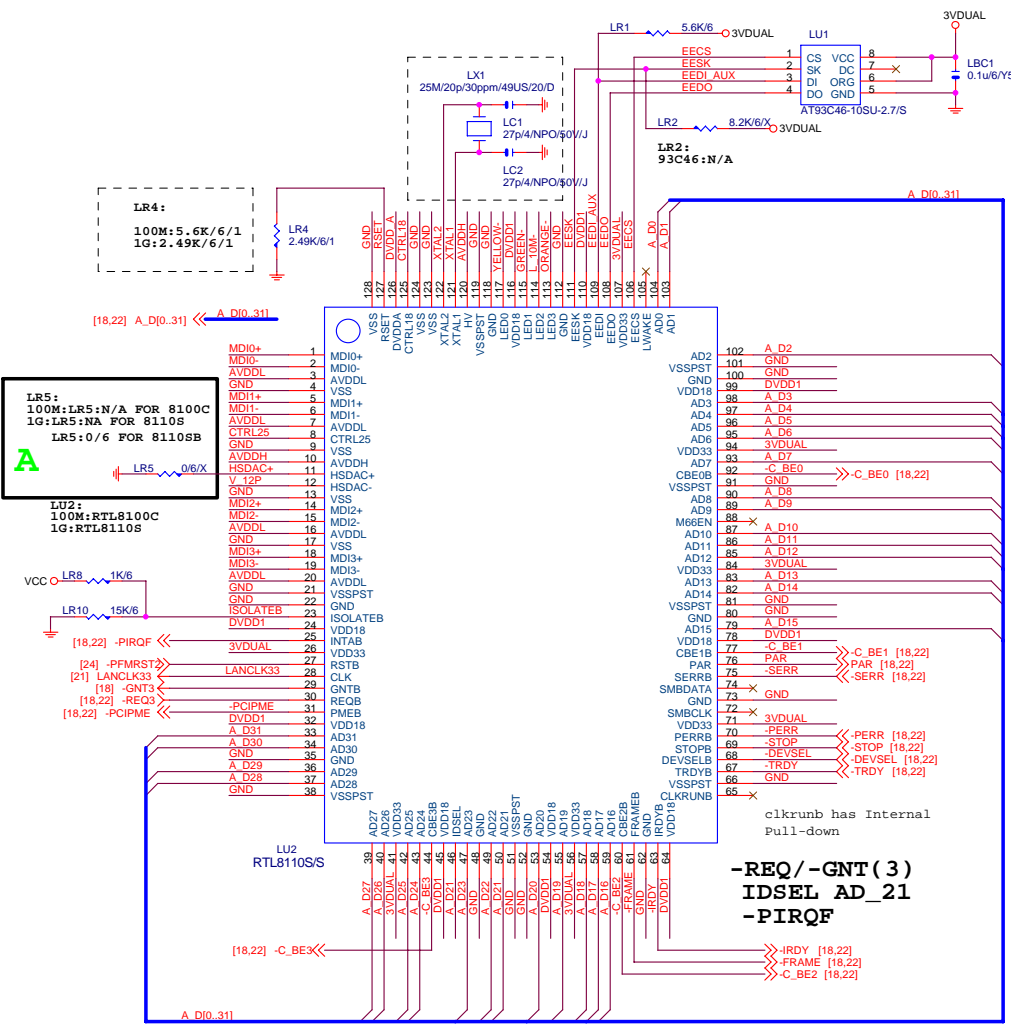


HOLE_3-2--->有鉛



Gigabyte Technology

Title		
ATX POWER CONNECTOR		
Size	Document Number	Rev
B	81945GME	1.0
Date:	Monday, October 31, 2005	Sheet 31 of 33

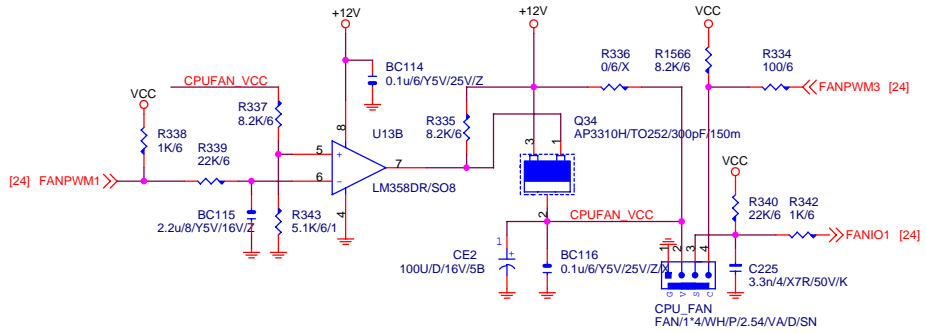


RTL8100C		Dual Color LED		
LINK	Speed	Yellow	Green	Orange
10Mb	10Mb	ON	ON	ON
	100Mb	ON	ON	ON
ACTIVE	10Mb	Blink	Blink	Blink
	100Mb	Blink	Blink	Blink

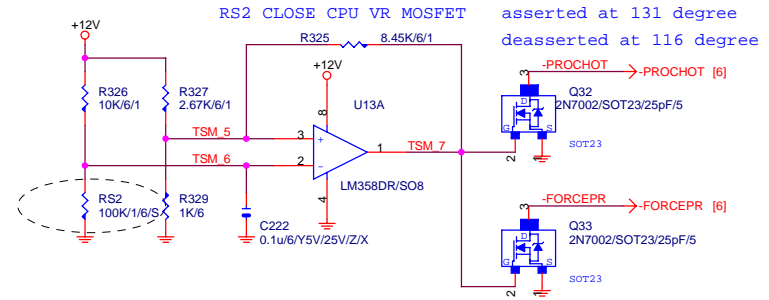
RTL8110S		Dual Color LED		
LINK/SPEED	Speed	Yellow	Green	Orange
10Mb	10Mb	ON	ON	ON
	100Mb	ON	ON	ON
ACTIVE	10Mb	Blink	Blink	Blink
	100Mb	Blink	Blink	Blink

	10/100	Giga	Giga
	8100C	8110S	8110SB
AVDDH	N/A	3.3V	3.3V
V_12P	2.5V	N/A	3.3V
AVDDL	3.3V	2.5V	2.5V
V_DAC	N/A	2.5V	2.5V
DVDD1	2.5V	1.8V	1.2V
DVDD_A	2.5V	1.8V	1.2V

CPU SMART FAN SMART FAN

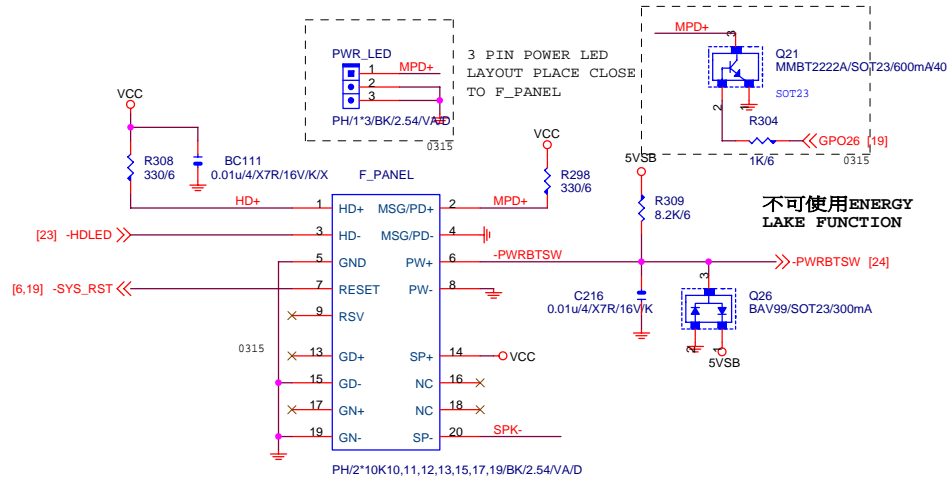


PROCESSOR HOT

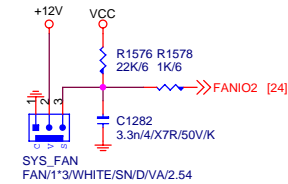


INTEL FRONT PANEL

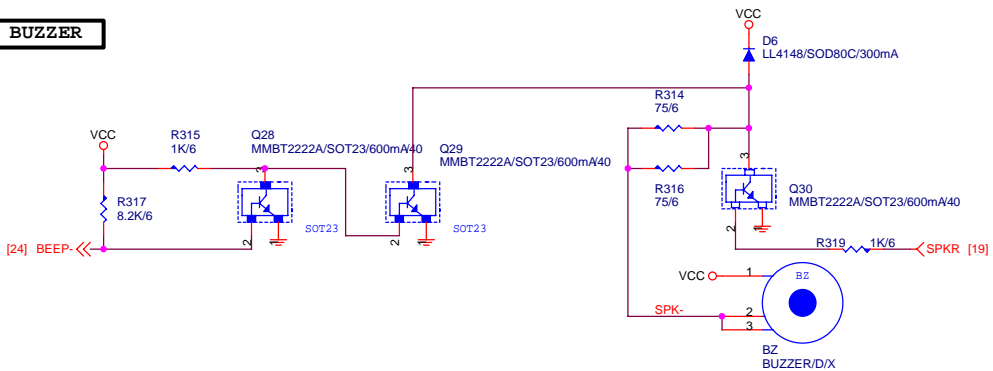
MPD- : (GPIO25--VCCSUS3+HI+HI+DEFINED(C3/C4/S/1/S3/S/4/S5)) -->INTEL



SYS_FAN



BUZZER



Gigabyte Technology		
FRONT PANEL		
8I945GME		Rev 1.0
Date:	Monday, October 31, 2005	Sheet 33 of 33