



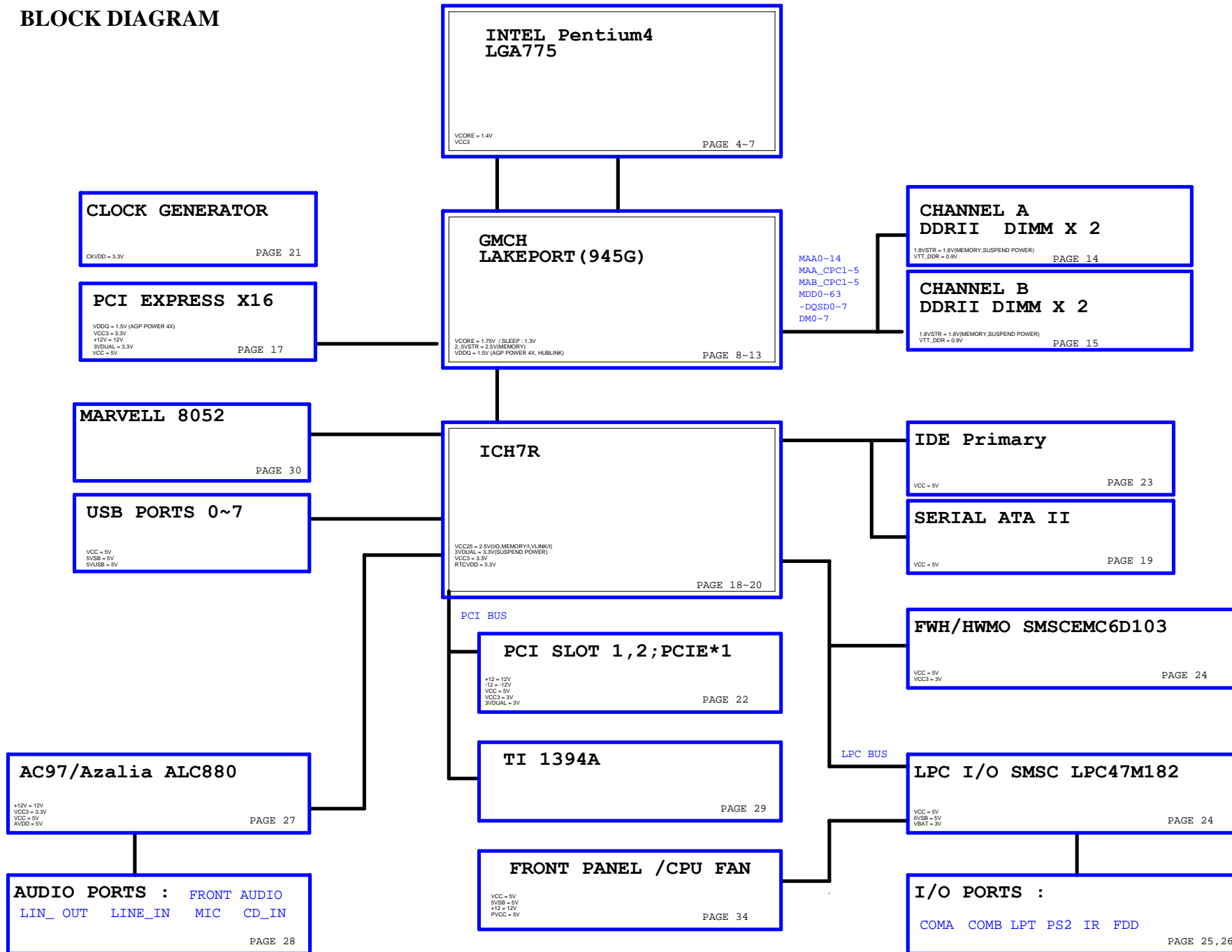
SHEET TITLE

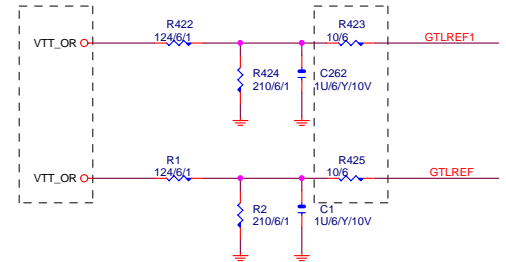
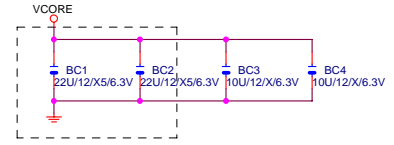
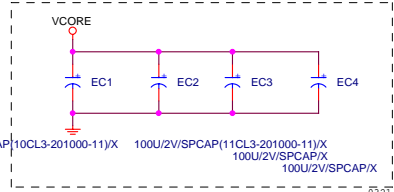
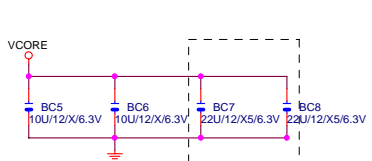
SHEET	TITLE
01	COVER SHEET
02	BLOCK DIAGRAM
03	BOM & PCB MODIFY HISTORY
04	P4 LGA775 A
05	P4 LGA775 B
06	P4 LGA775 C
07	P4 LGA775 D,E,F,G
08	GMCH-LAKEPORT HOST
09	GMCH-LAKEPORT DDRII
10	GMCH-LAKEPORT PCI E, DMI
11	GMCH-LAKEPORT INT VGA
12	GMCH-LAKEPORT GND
13	GMCH-LAKEPORT PWR
14	DDRII CHANNEL A 1,2
15	DDRII CHANNEL B 1,2
16	DDRII TERMINATION
17	PCI EXPRESS*16 SLOT
18	ICH7 PCI, USB, DMI, LAN
19	ICH7 IDE, GPIO, SATA, CTRL
20	ICH7 VCC, GND
21	GB/CK410M CLOCK.
22	PCI SLOT 1,2,PCIE*1
23	IDE/FLOPPY/USB
24	SMSC LPC IO
25	COM LPT
26	BIOS,CI,HWM,KB/MS
27	ALC880

SHEET TITLE

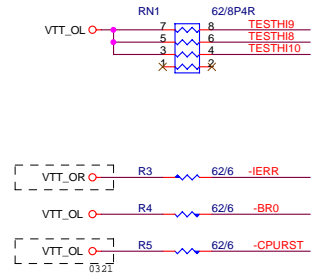
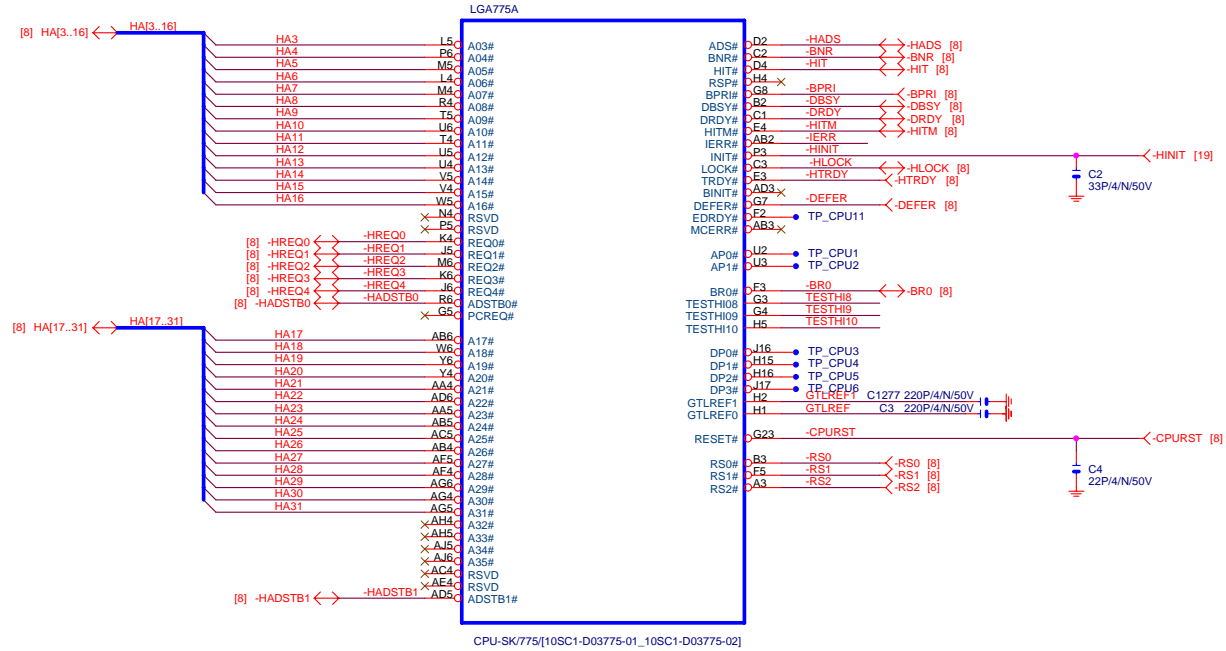
SHEET	TITLE
28	REAR AUDIO JACK
29	TI TSB43AB23 1394
30	MARVELL 88E8052
31	VCORE PWM ISL6556
32	DISCRETE POWER
33	ATX, OTHERS POWER
34	FRONT PANEL

BLOCK DIAGRAM

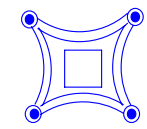




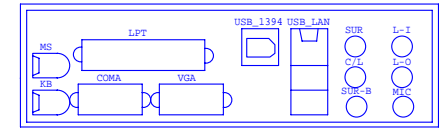
LGA775 FOOT PRINT FOR ACER:LGA775-ACER

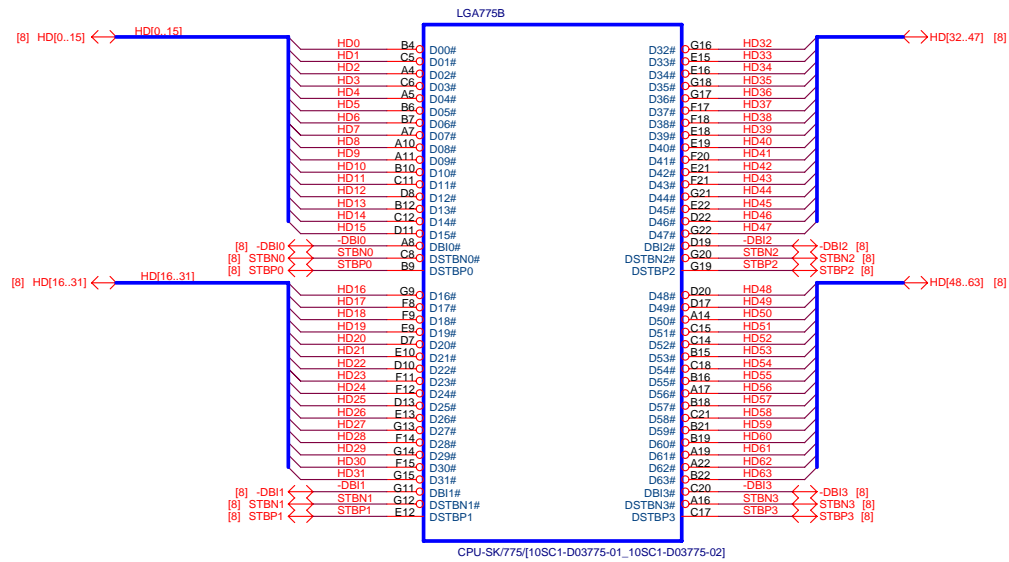


LGA775-CR
CPU_RETAINMENT[12KRC-040005-21]

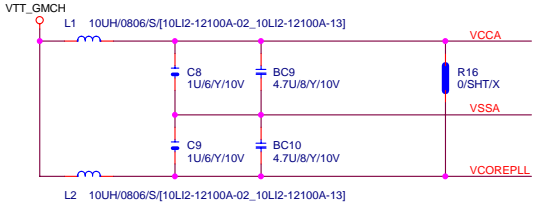


IO_SHIELD
IO_SHIELD[12AIO-AE0007-01]



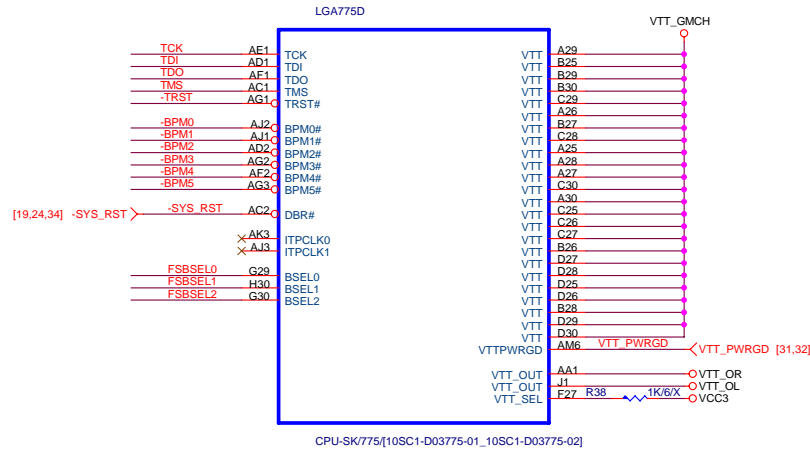
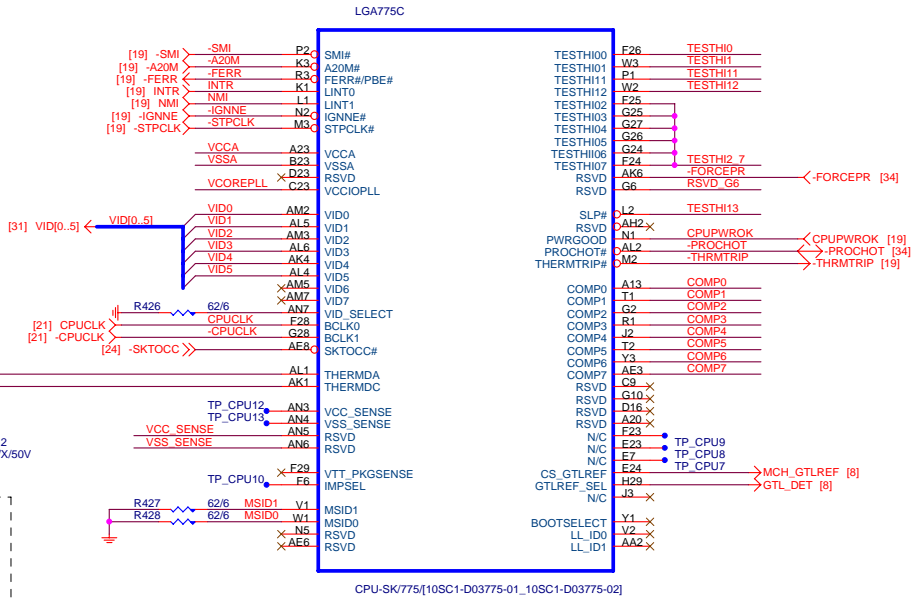
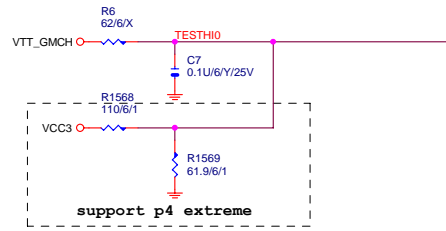
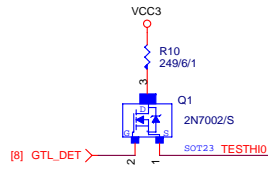
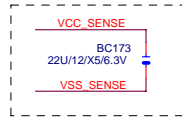
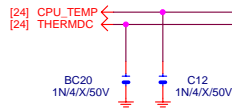


Note:
VCCA & VCOREPLL
define doesn't same as
old P4 design kit

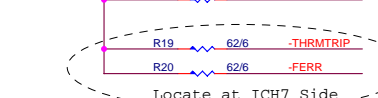
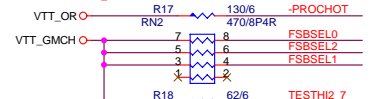
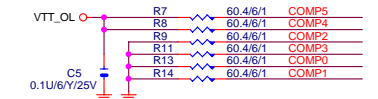


Trace width doesn't
less than 12 Mil

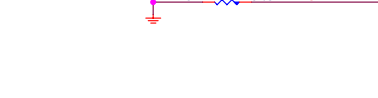
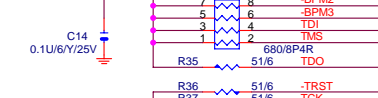
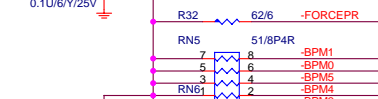
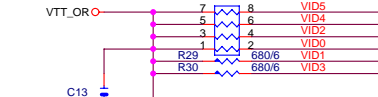
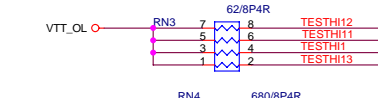
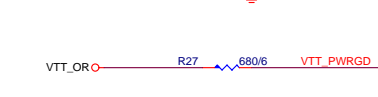
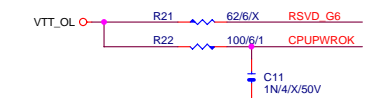
As close as possible to
CPU socket



Place outside of CPU socket

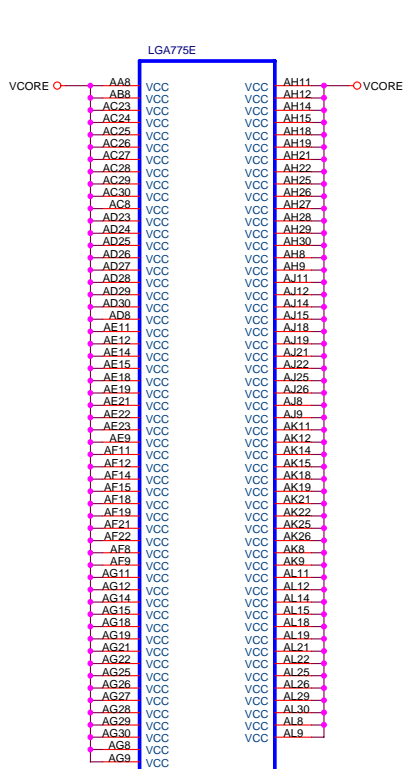


Locate at ICH7 Side

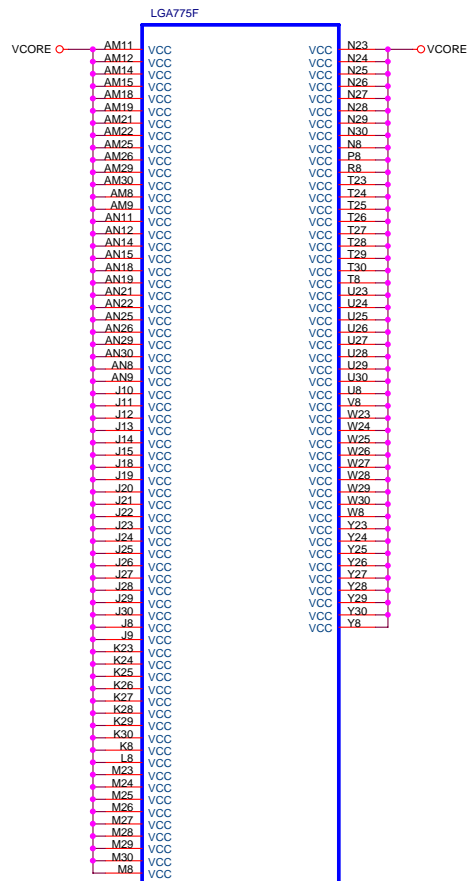


Gigabyte Technology

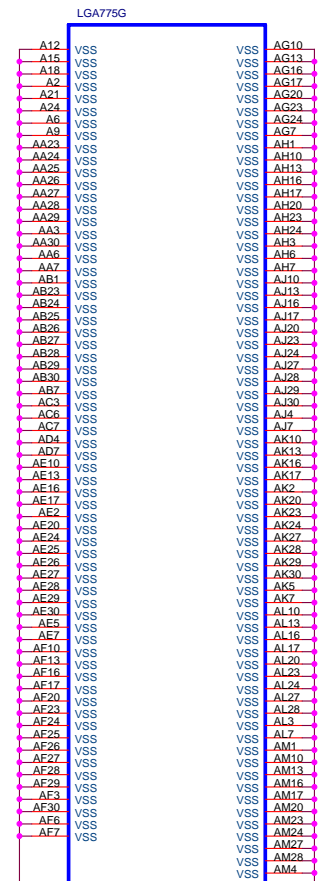
Title		P4_LGA775-B	
Size	Document Number	81945AEF-AE	
Custom			Rev 1.1
Date:	Thursday, July 07, 2005	Sheet	6 of 34



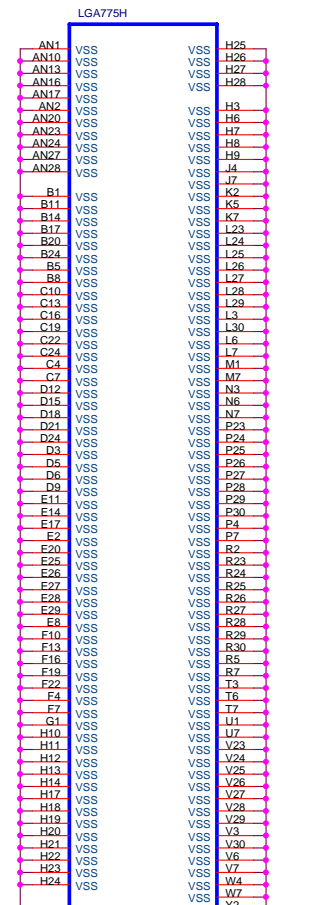
CPU-SK/775[10SC1-D03775-01_10SC1-D03775-02]



CPU-SK/775[10SC1-D03775-01_10SC1-D03775-02]



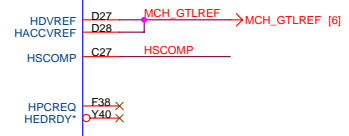
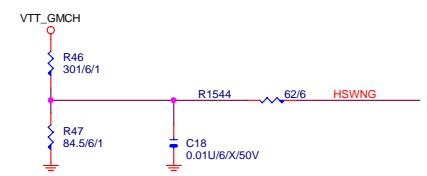
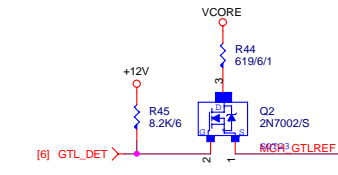
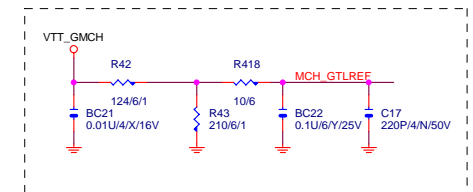
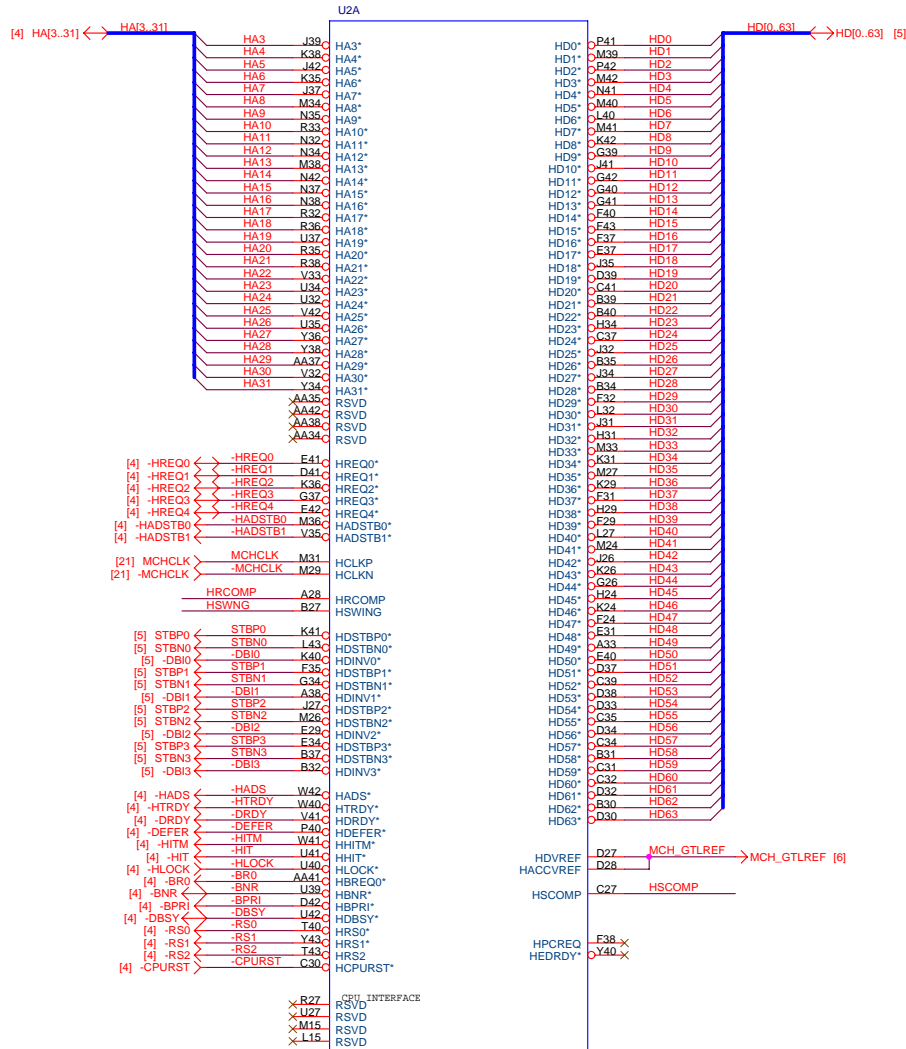
CPU-SK/775[10SC1-D03775-01_10SC1-D03775-02]



CPU-SK/775[10SC1-D03775-01_10SC1-D03775-02]

Gigabyte Technology

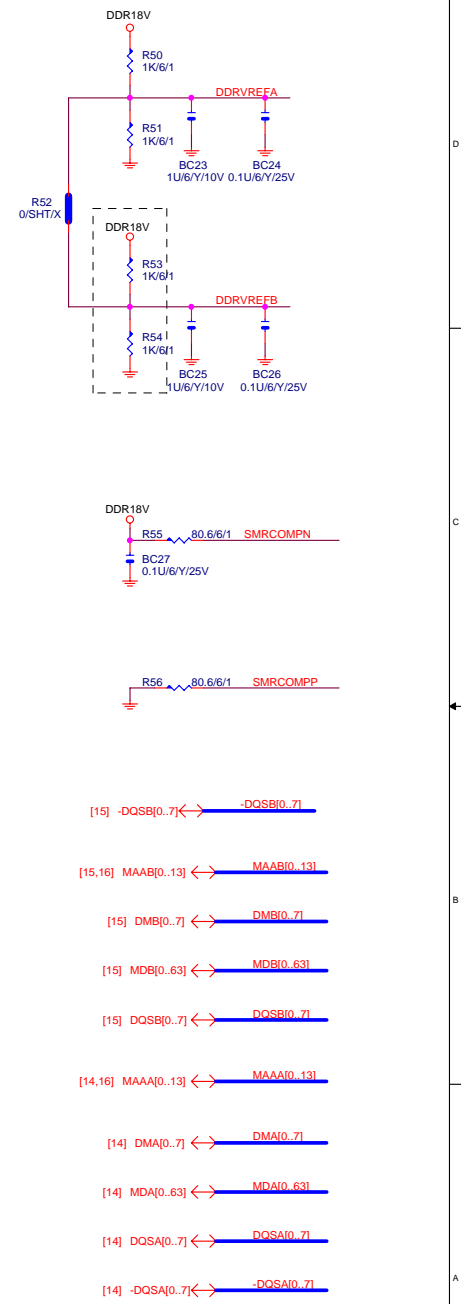
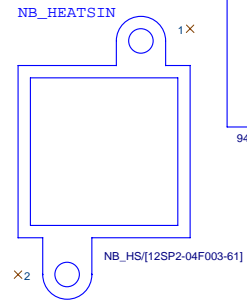
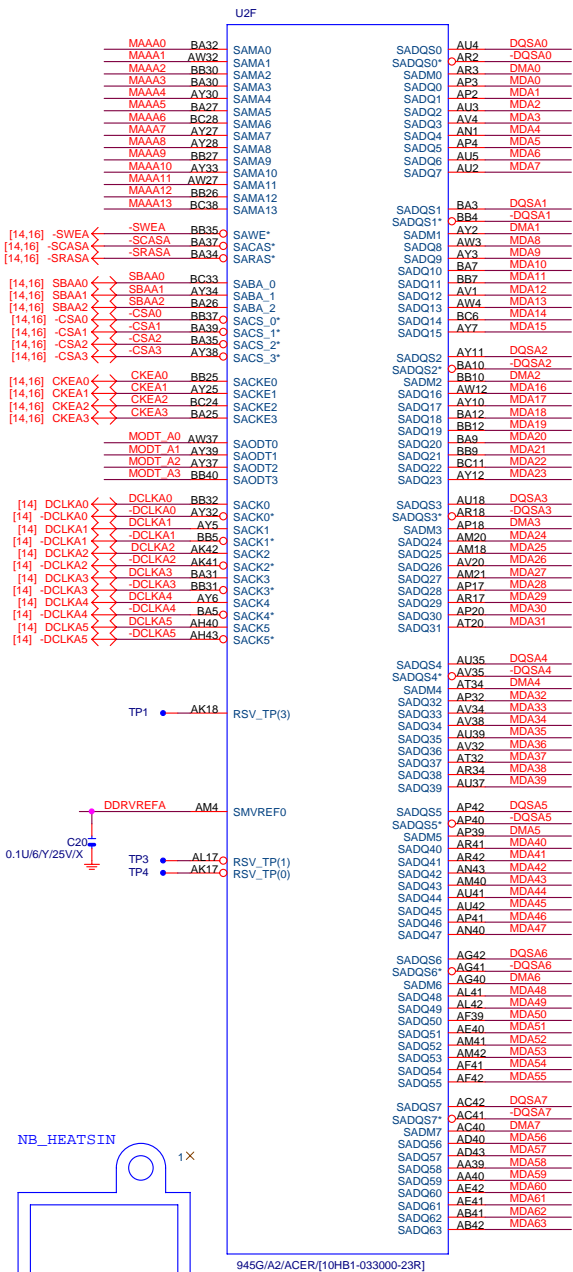
Title			P4_LGA775-D		
Size	Document Number	81945AEF-AE			Rev
Custom					1.1
Date:	Thursday, July 07, 2005	Sheet	7	of	34



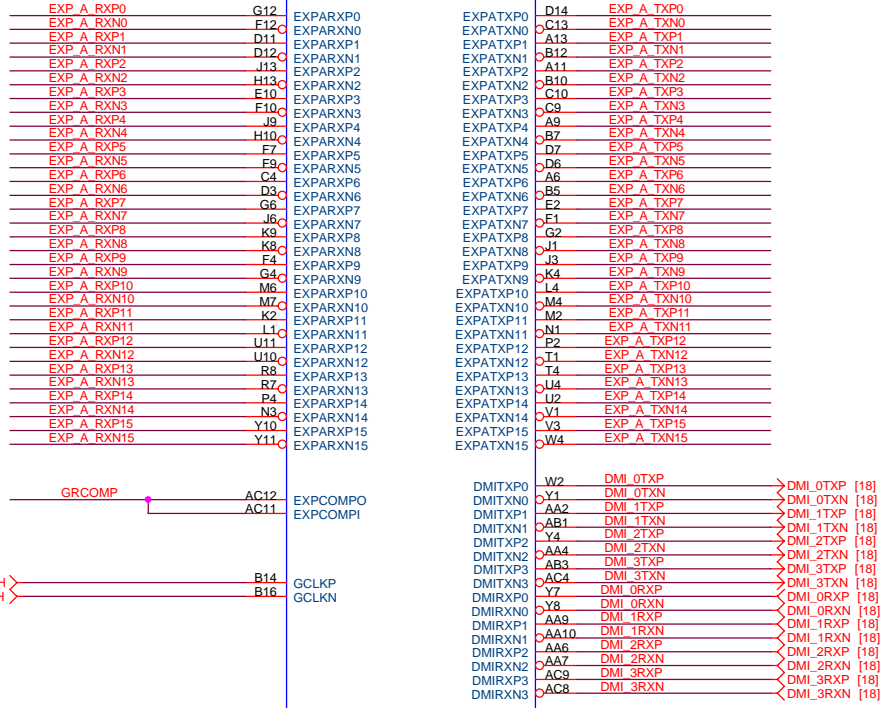
945G/A2/ACER[10HB1-033000-23R]



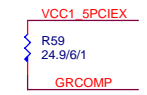
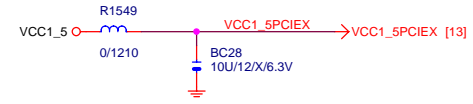
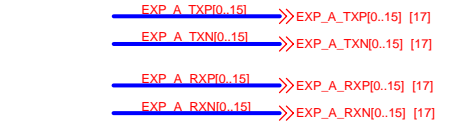
Gigabyte Technology		
Title GMCH-HOST		
Size Custom	Document Number 81945AEF-AE	Rev 1.1
Date: Thursday, July 07, 2005	Sheet 8	of 34



U2B

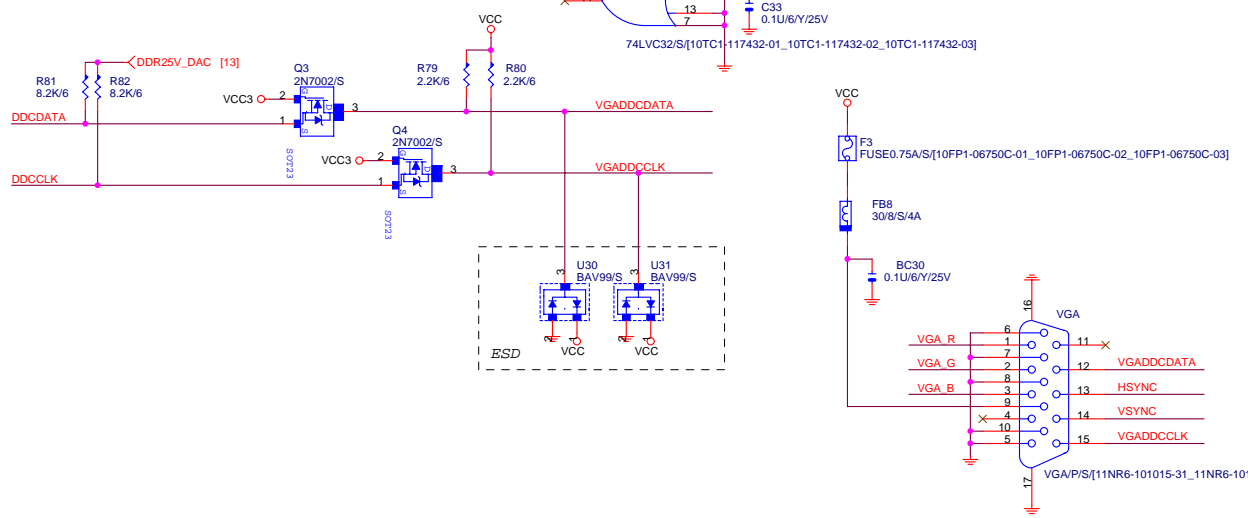
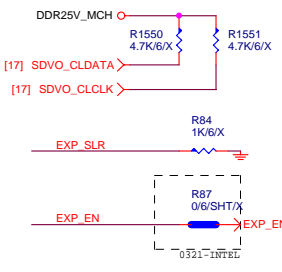
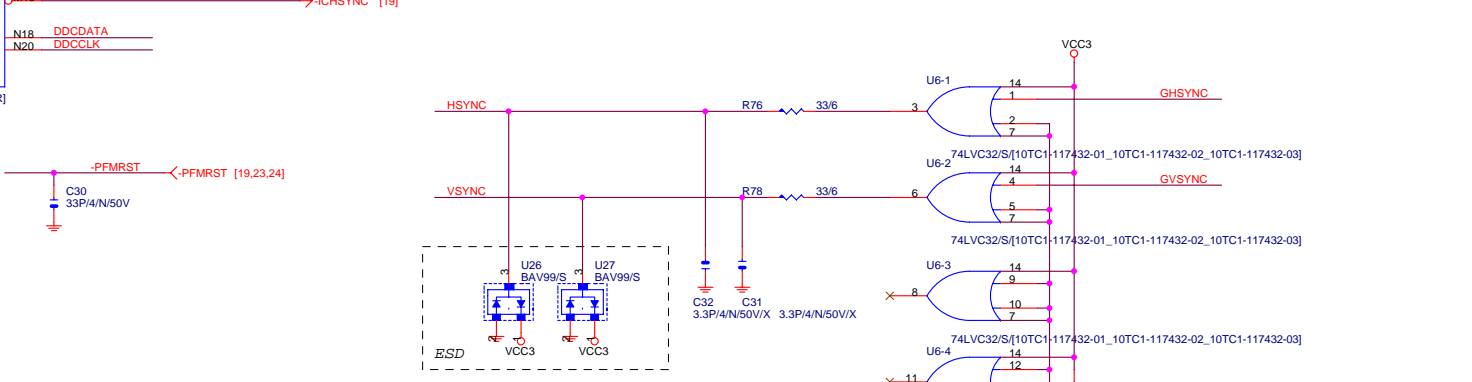
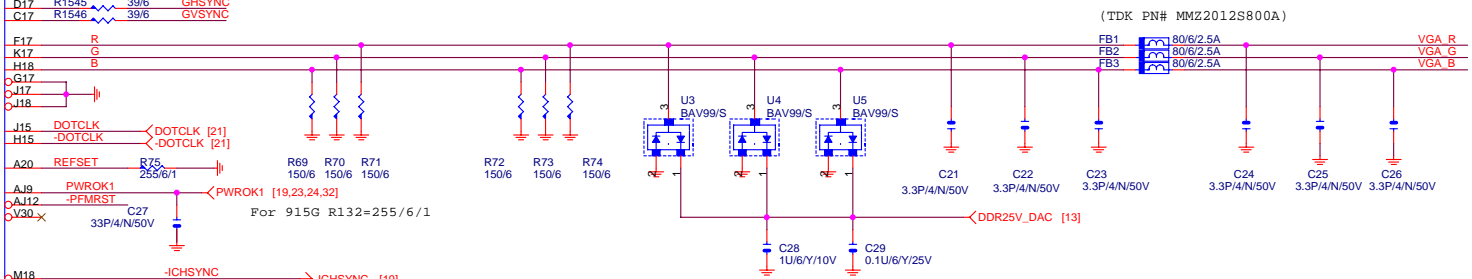
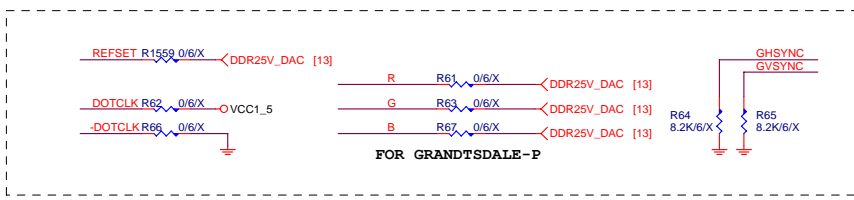
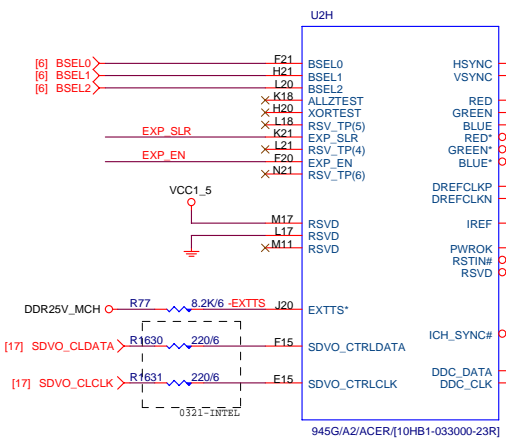


945G/A2/ACER/10HB1-033000-23R



Gigabyte Technology

Title		GMCH-PCI E & DMI	
Size Custom	Document Number	81945AEF-AE	Rev 1.1
Date:	Thursday, July 07, 2005	Sheet 10	of 34



U2C

A4	VSS	N2
A16	VSS	N6
A22	VSS	N8
A26	VSS	N13
A31	VSS	N15
A35	VSS	N24
B4	VSS	N26
B6	VSS	N27
B9	VSS	N29
B11	VSS	N31
B13	VSS	N33
B21	VSS	N36
B22	VSS	N39
B28	VSS	N43
B33	VSS	P3
B38	VSS	P14
C3	VSS	P15
C5	VSS	P24
C7	VSS	P26
C12	VSS	P27
C14	VSS	P29
C22	VSS	P30
C40	VSS	R6
D2	VSS	R9
D5	VSS	R12
D10	VSS	R14
D16	VSS	R30
D20	VSS	R31
D21	VSS	R34
E3	VSS	R37
E4	VSS	R39
E7	VSS	T2
E9	VSS	T42
F12	VSS	U3
F13	VSS	U5
F17	VSS	U8
F18	VSS	U11
F20	VSS	U12
F21	VSS	U14
F32	VSS	U31
F2	VSS	U33
F6	VSS	U36
F13	VSS	U38
F18	VSS	V2
F26	VSS	V6
F34	VSS	V11
F42	VSS	V12
G3	VSS	V14
G5	VSS	V17
G7	VSS	V36
G9	VSS	V37
G10	VSS	V38
G13	VSS	V39
G15	VSS	B43
G18	VSS	V43
G20	VSS	W3
G21	VSS	Y2
G24	VSS	Y5
G27	VSS	Y6
G29	VSS	Y9
G31	VSS	Y12
G32	VSS	Y14
G35	VSS	Y31
G38	VSS	Y35
H12	VSS	Y37
H17	VSS	Y39
H26	VSS	Y42
H27	VSS	AA3
H32	VSS	AA6
I2	VSS	AA11
J5	VSS	AA12
J7	VSS	AA14
J10	VSS	AA21
J12	VSS	AA23
J21	VSS	AA31
J24	VSS	AP5
J38	VSS	AP7
J43	VSS	AP10
K3	VSS	AP12
K5	VSS	AP29
K6	VSS	AP34
K7	VSS	AP38
K10	VSS	AC7
K12	VSS	AC10
K13	VSS	AC14
K15	VSS	AR6
K20	VSS	AR15
K22	VSS	AR20
K27	VSS	AR23
K32	VSS	AR24
K34	VSS	AR32
K37	VSS	AR37
K39	VSS	AR39
L2	VSS	AR43
L12	VSS	AT12
L24	VSS	AT17
L26	VSS	AT18
L29	VSS	AT21
L31	VSS	AT23
L42	VSS	AT26
M3	VSS	AT27
M5	VSS	AT31
M8	VSS	AU6
M9	VSS	AU9
M10	VSS	AU12
M13	VSS	AU13
M20	VSS	AL15
M21	VSS	AL17
M35	VSS	AU20
M37	VSS	AD18
		AD20
		AD22
		AD24
		AD27
		AD29
		AE19
		AE21
		AE23
		AE25
		AF18
		AF20
		AF22
		AF24
		AY1
		BC4

945G/A2/ACER[10HB1-033000-23R]

U2E

AD7	VSS
AD11	VSS
AD13	VSS
AD33	VSS
N24	VSS
AD37	VSS
AD42	VSS
N29	VSS
AF1	VSS
AF2	VSS
N33	VSS
AF5	VSS
N39	VSS
AF36	VSS
AF38	VSS
AF43	VSS
AG30	VSS
AG31	VSS
AG33	VSS
AG36	VSS
AG37	VSS
AG38	VSS
AG39	VSS
AM42	VSS
AJ7	VSS
AJ10	VSS
AJ30	VSS
AJ31	VSS
AJ33	VSS
AJ35	VSS
AJ37	VSS
AK24	VSS
AK26	VSS
AK29	VSS
AK30	VSS
AL1	VSS
AL2	VSS
AL3	VSS
AL7	VSS
AL10	VSS
AL12	VSS
AL13	VSS
AL15	VSS
AL18	VSS
AL21	VSS
AL23	VSS
AL24	VSS
AL27	VSS
AL32	VSS
AL33	VSS
V38	VSS
AL37	VSS
V39	VSS
B43	VSS
AM5	VSS
W3	VSS
Y2	VSS
AM33	VSS
AM36	VSS
AM37	VSS
AM39	VSS
AN2	VSS
AN4	VSS
AN13	VSS
Y37	VSS
AN17	VSS
AN18	VSS
AN20	VSS
AN21	VSS
AN23	VSS
AN24	VSS
AN26	VSS
AN27	VSS
AN31	VSS
AN42	VSS
AP5	VSS
AP7	VSS
AP10	VSS
AP12	VSS
AP29	VSS
AP34	VSS
AP38	VSS
AR1	VSS
AR6	VSS
AR15	VSS
AR20	VSS
AR23	VSS
AR24	VSS
AR32	VSS
AR37	VSS
AR39	VSS
AR43	VSS
AT12	VSS
AT17	VSS
AT18	VSS
AT21	VSS
AT23	VSS
AT26	VSS
AT27	VSS
AT31	VSS
AU6	VSS
AU9	VSS
AU12	VSS
AU13	VSS
AL15	VSS
AL17	VSS
AU20	VSS
AD18	VSS
AD20	VSS
AD22	VSS
AD24	VSS
AD27	VSS
AD29	VSS
AE19	VSS
AE21	VSS
AE23	VSS
AE25	VSS
AF18	VSS
AF20	VSS
AF22	VSS
AF24	VSS
AY1	VSS
BC4	VSS

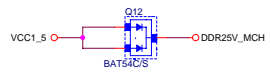
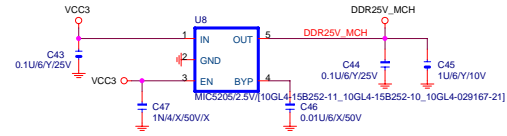
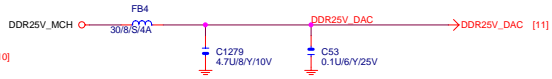
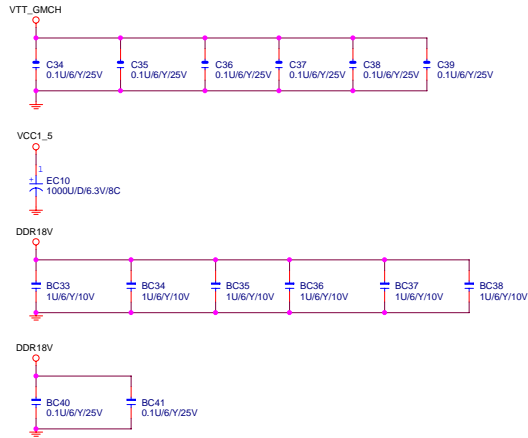
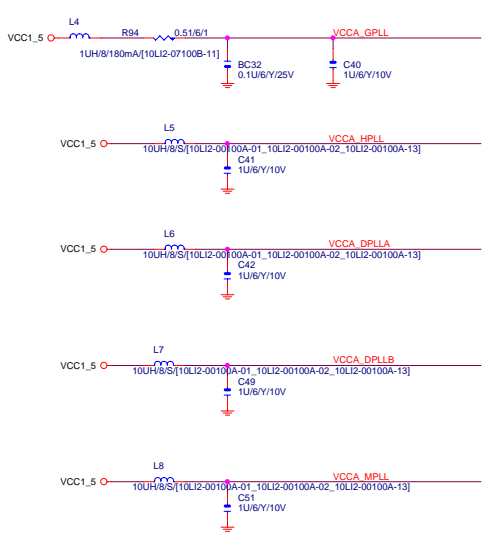
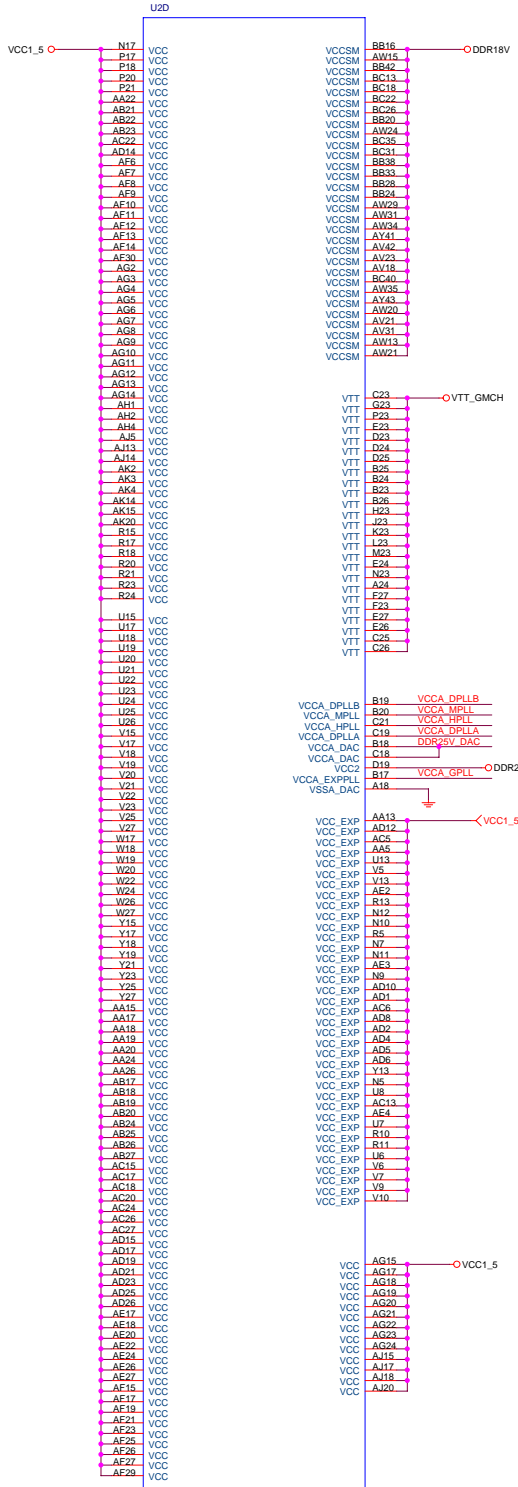
945G/A2/ACER[10HB1-033000-23R]

VSS	AU21
VSS	AU24
VSS	AU26
VSS	AU29
VSS	AU32
VSS	AU34
VSS	AV2
VSS	AV10
VSS	AV17
VSS	AV37
VSS	AW10
VSS	BA4
VSS	BA42
VSS	BB3
VSS	BB6
VSS	BB11
VSS	BB14
VSS	BB19
VSS	BB34
VSS	BB39
VSS	BB41
VSS	BC9
VSS	A40
VSS	D1
VSS	D43
VSS	R26
VSS	R29
VSS	U29
VSS	V24
VSS	V26
VSS	V29
VSS	W21
VSS	W23
VSS	W25
VSS	Y20
VSS	Y22
VSS	Y24
VSS	Y26
VSS	Y29
VSS	AA27
VSS	AA29
VSS	AC19
VSS	AC25
VSS	AC29
NC	AA2
NC	B2
NC	B3
NC	B4
NC	B42
NC	B43
NC	C2
NC	C4
NC	E35
NC	AV26
NC	AV27
NC	AW2
NC	AW28
NC	BA2
NC	BB1
NC	BB2
NC	BB43
NC	BC1
NC	BC2
NC	BC42
NC	BC43
RSVD	AK21
RSVD	AJ23
RSVD	AJ26
RSVD	AL25
RSVD	AL29
RSVD	AJ21
RSVD	AL26
RSVD	AK27
RSVD	AD30
RSVD	AC34
RSVD	Y30
RSVD	Y32
RSVD	AF31
RSVD	AD31
RSVD	U30
RSVD	V31
RSVD	AA30
RSVD	AC30
RSVD	AA3
RSVD	AG26
RSVD	AG27
RSVD	AJ24
RSVD	AJ27
RSVD	AK40
RSVD	AW12
RSVD	AW18
RSVD	AY14
RSVD	BC16
RSVD	AJ29
RSVD	AG29

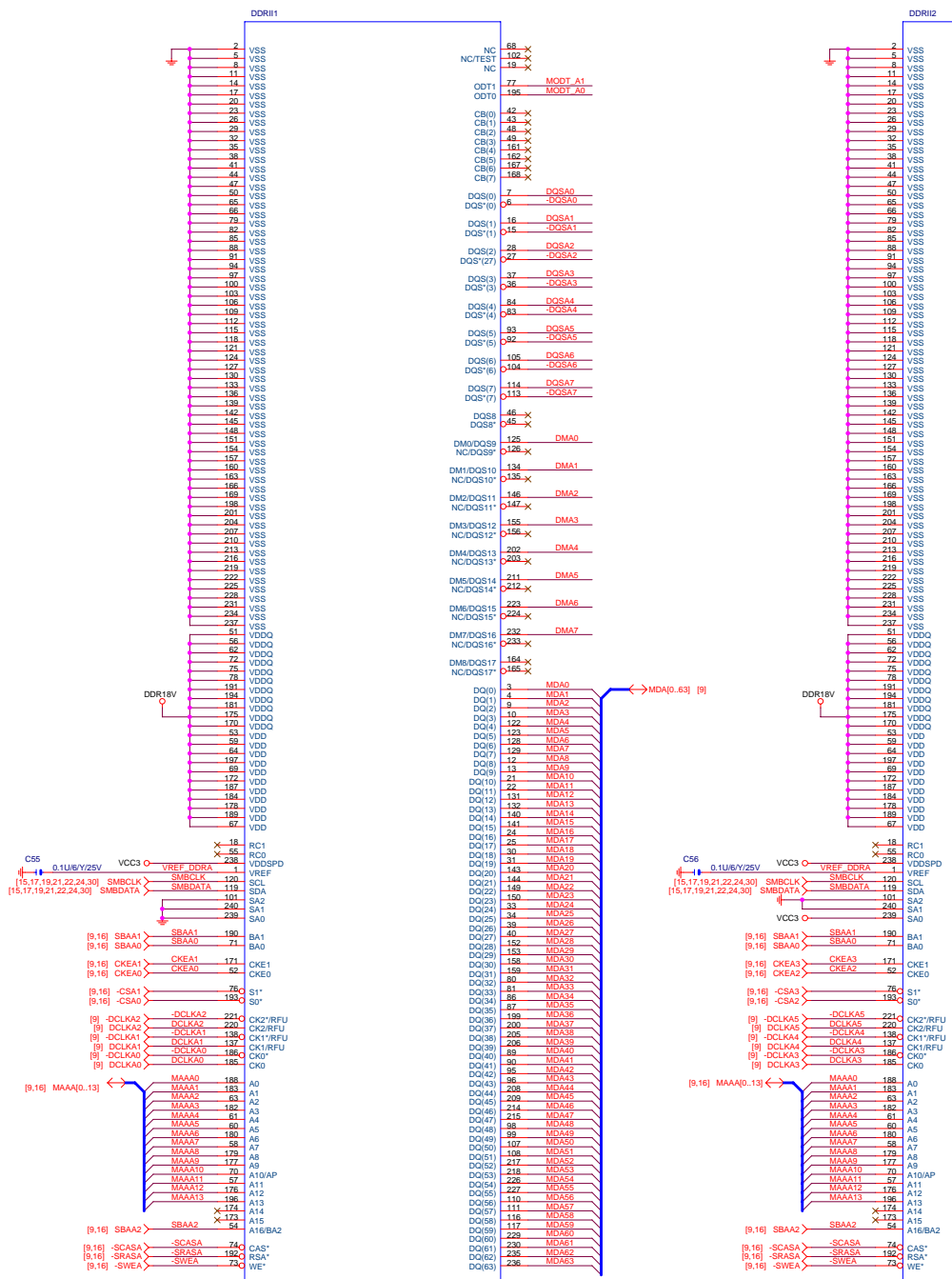
Gigabyte Technology

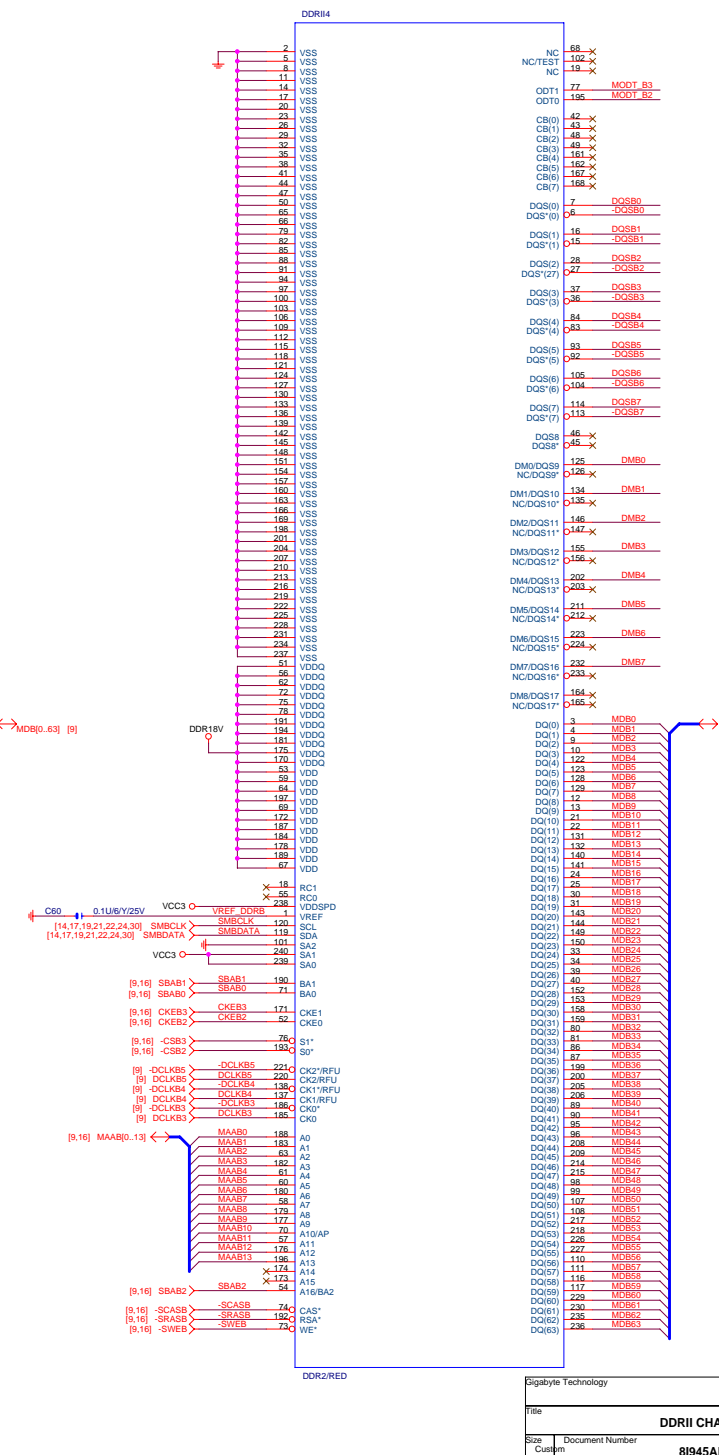
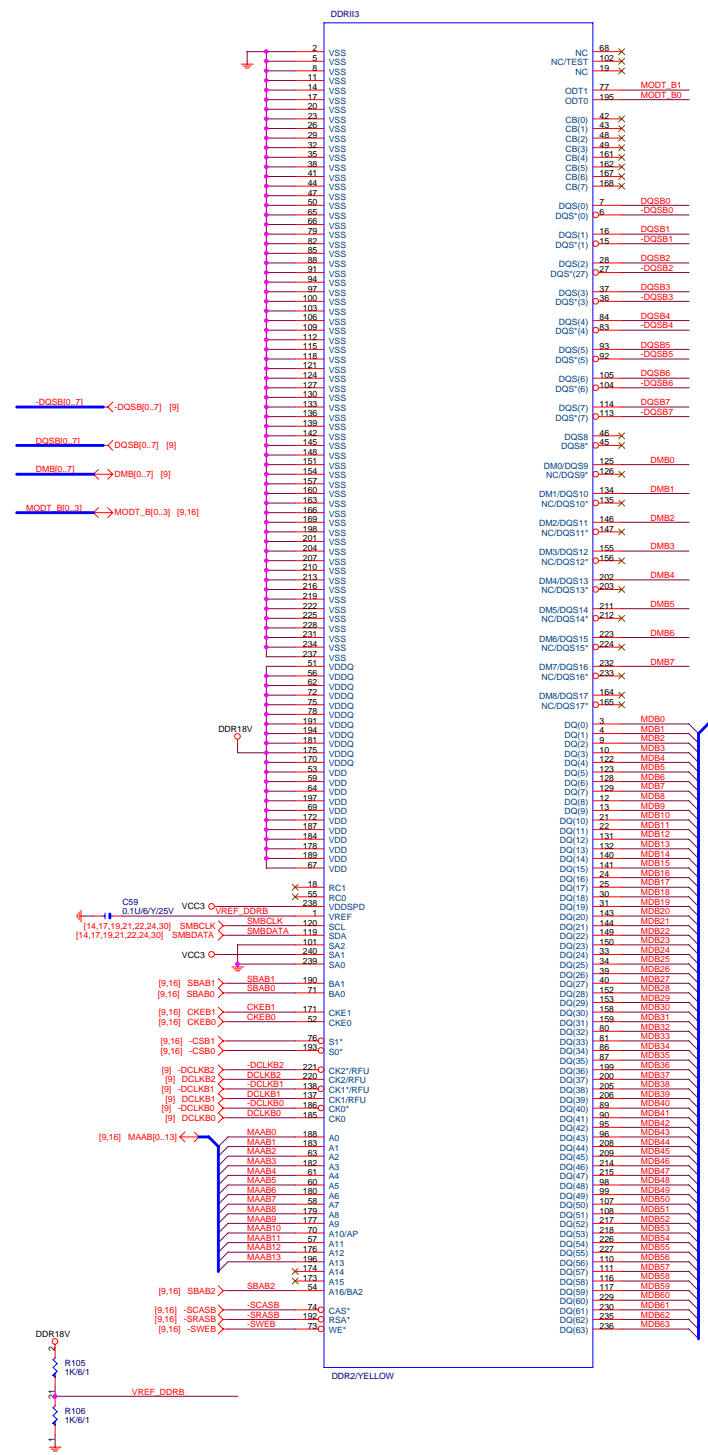
GMCH-GND

Size	Document Number	Rev
Custom	81945AEF-AE	1.1
Date:	Thursday, July 07, 2005	Sheet 12 of 34



945G/A2/ACER[10HB1-033000-23R]

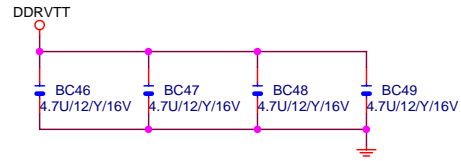




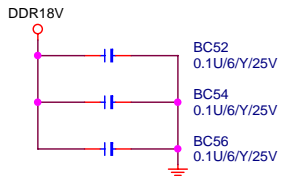
Sigabyte Technology	
Title	DDRII CHANNEL B
Size	Document Number
Custom	81945AEF-AE
Date	Rev 1.1
	Sheet 15 of 34

DDR TERMINATION CHANNEL A

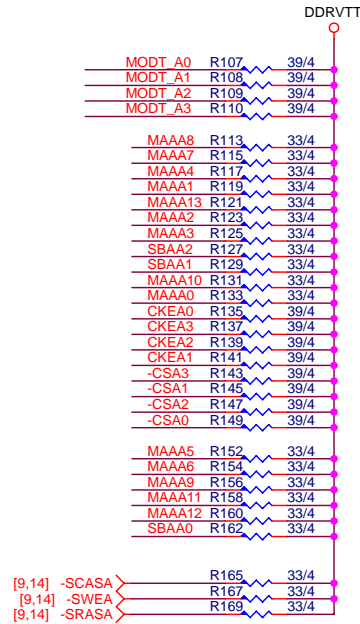
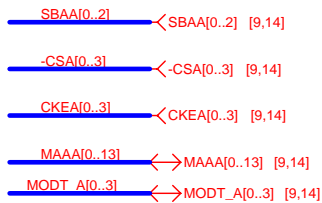
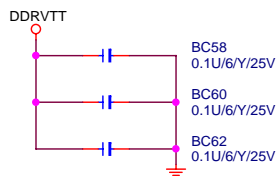
DDRVTT Decouple



DDR18V Decouple

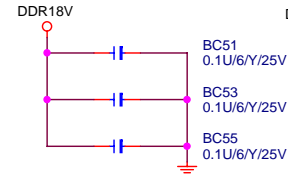


DDRVTT Decouple

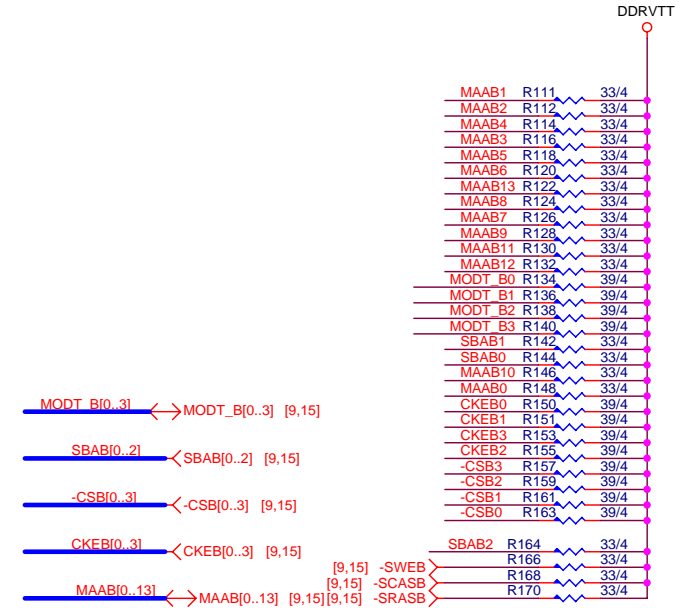
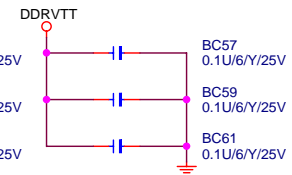


DDR TERMINATION CHANNEL B

DDR18V Decouple

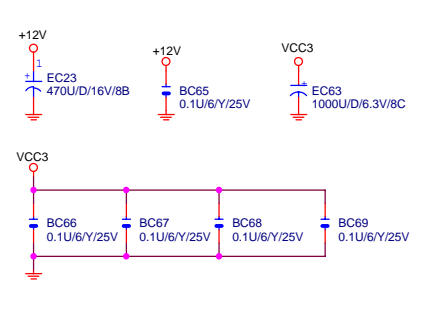


DDRVTT Decouple

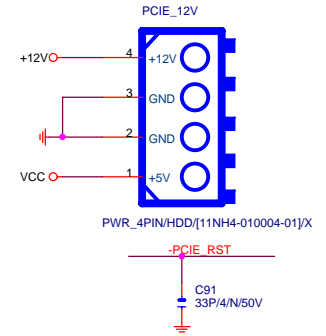
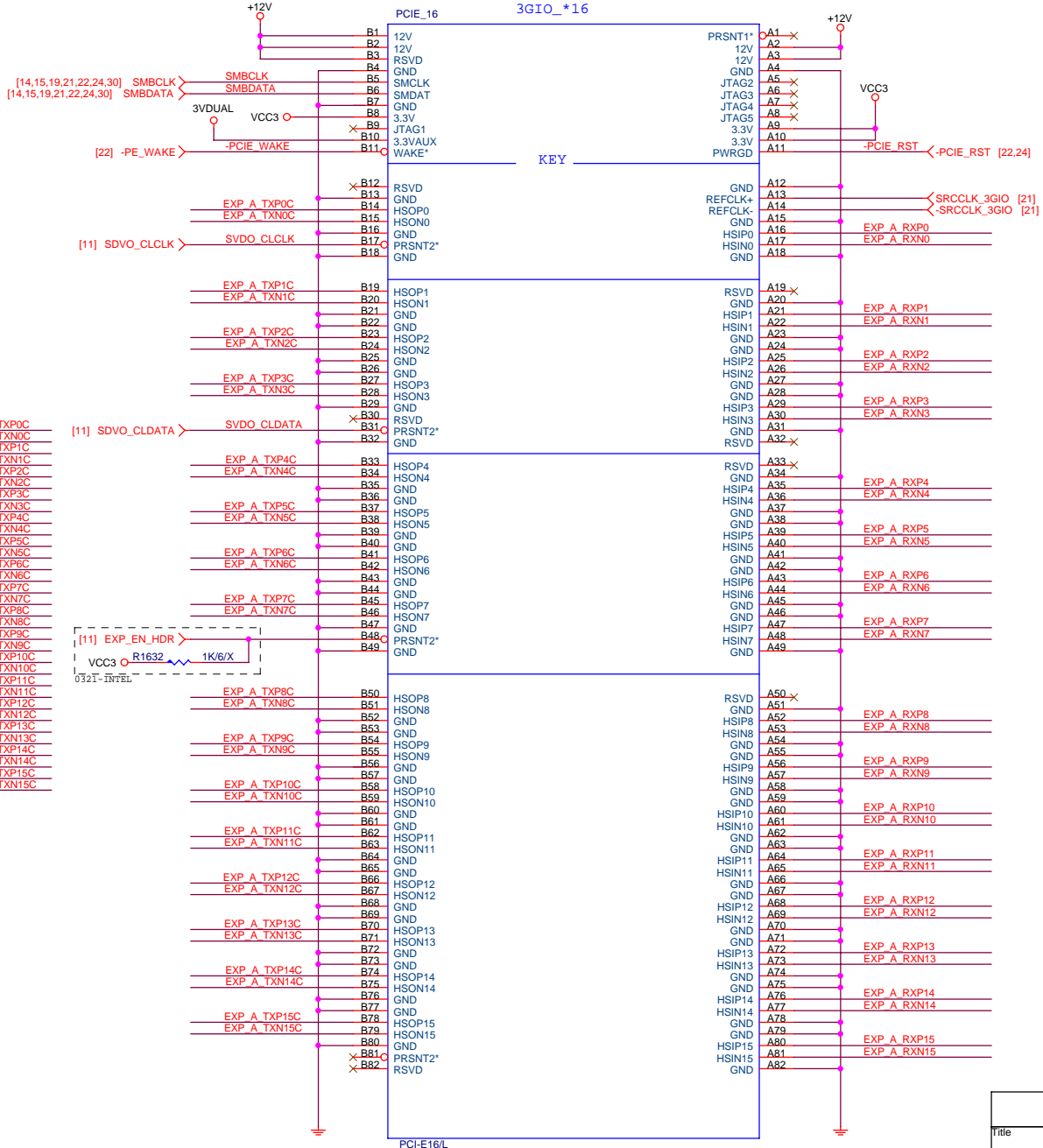


Gigabyte Technology

Title		
DDRII TERMINATOR		
Size	Document Number	Rev
Custom	8I945AEF-AE	1.1
Date:	Thursday, July 07, 2005	Sheet 16 of 34



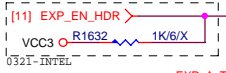
PCIESLOT-164DN-2



EXP_A_TXP0..15] >>> EXP_A_TXP0..15] [10]
 EXP_A_TXN0..15] >>> EXP_A_TXN0..15] [10]

EXP_A_RXP0..15] >>> EXP_A_RXP0..15] [10]
 EXP_A_RXN0..15] >>> EXP_A_RXN0..15] [10]

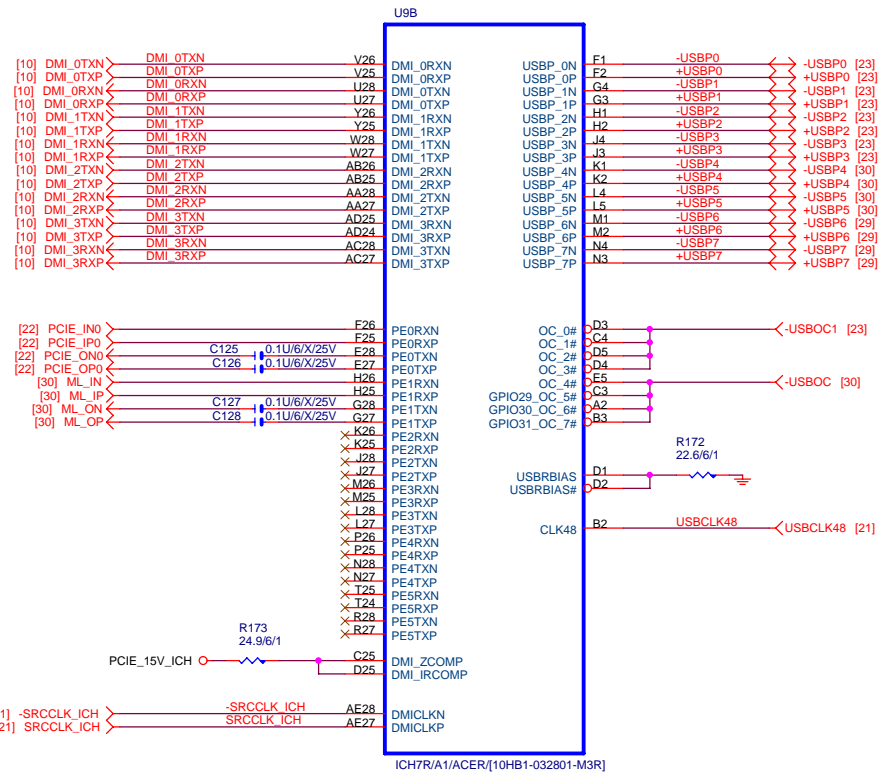
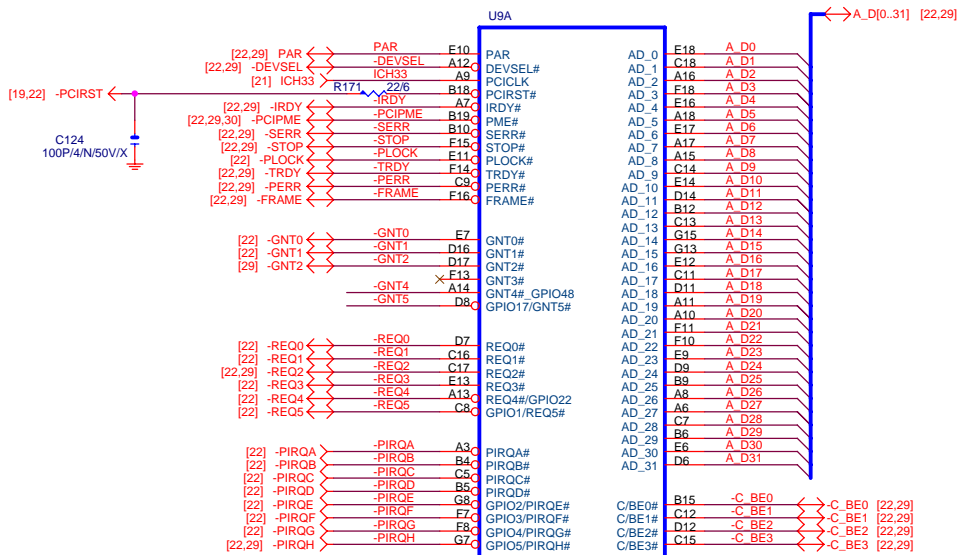
EXP_A_TXP0	C92	0.1U/6/Y/25V	EXP_A_TXP0C
EXP_A_TXN0	C93	0.1U/6/Y/25V	EXP_A_TXN0C
EXP_A_TXP1	C94	0.1U/6/Y/25V	EXP_A_TXP1C
EXP_A_TXN1	C95	0.1U/6/Y/25V	EXP_A_TXN1C
EXP_A_TXP2	C96	0.1U/6/Y/25V	EXP_A_TXP2C
EXP_A_TXN2	C97	0.1U/6/Y/25V	EXP_A_TXN2C
EXP_A_TXP3	C98	0.1U/6/Y/25V	EXP_A_TXP3C
EXP_A_TXN3	C99	0.1U/6/Y/25V	EXP_A_TXN3C
EXP_A_TXP4	C100	0.1U/6/Y/25V	EXP_A_TXP4C
EXP_A_TXN4	C101	0.1U/6/Y/25V	EXP_A_TXN4C
EXP_A_TXP5	C102	0.1U/6/Y/25V	EXP_A_TXP5C
EXP_A_TXN5	C103	0.1U/6/Y/25V	EXP_A_TXN5C
EXP_A_TXP6	C104	0.1U/6/Y/25V	EXP_A_TXP6C
EXP_A_TXN6	C105	0.1U/6/Y/25V	EXP_A_TXN6C
EXP_A_TXP7	C106	0.1U/6/Y/25V	EXP_A_TXP7C
EXP_A_TXN7	C107	0.1U/6/Y/25V	EXP_A_TXN7C
EXP_A_TXP8	C108	0.1U/6/Y/25V	EXP_A_TXP8C
EXP_A_TXN8	C109	0.1U/6/Y/25V	EXP_A_TXN8C
EXP_A_TXP9	C110	0.1U/6/Y/25V	EXP_A_TXP9C
EXP_A_TXN9	C111	0.1U/6/Y/25V	EXP_A_TXN9C
EXP_A_TXP10	C112	0.1U/6/Y/25V	EXP_A_TXP10C
EXP_A_TXN10	C113	0.1U/6/Y/25V	EXP_A_TXN10C
EXP_A_TXP11	C114	0.1U/6/Y/25V	EXP_A_TXP11C
EXP_A_TXN11	C115	0.1U/6/Y/25V	EXP_A_TXN11C
EXP_A_TXP12	C116	0.1U/6/Y/25V	EXP_A_TXP12C
EXP_A_TXN12	C117	0.1U/6/Y/25V	EXP_A_TXN12C
EXP_A_TXP13	C118	0.1U/6/Y/25V	EXP_A_TXP13C
EXP_A_TXN13	C119	0.1U/6/Y/25V	EXP_A_TXN13C
EXP_A_TXP14	C120	0.1U/6/Y/25V	EXP_A_TXP14C
EXP_A_TXN14	C121	0.1U/6/Y/25V	EXP_A_TXN14C
EXP_A_TXP15	C122	0.1U/6/Y/25V	EXP_A_TXP15C
EXP_A_TXN15	C123	0.1U/6/Y/25V	EXP_A_TXN15C



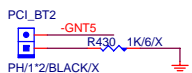
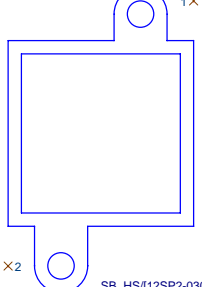
Gigabyte Technology

PCI EXPRESS * 16

Title		8I945AEF-AE	
Size	Document Number	8I945AEF-AE	
Custom		Rev 1.1	
Date:	Thursday, July 07, 2005	Sheet	17 of 34

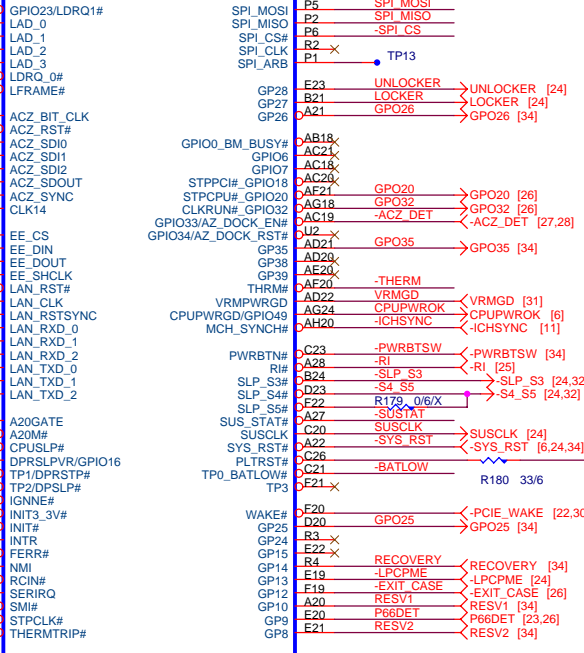


SB_HEATSIN 1X



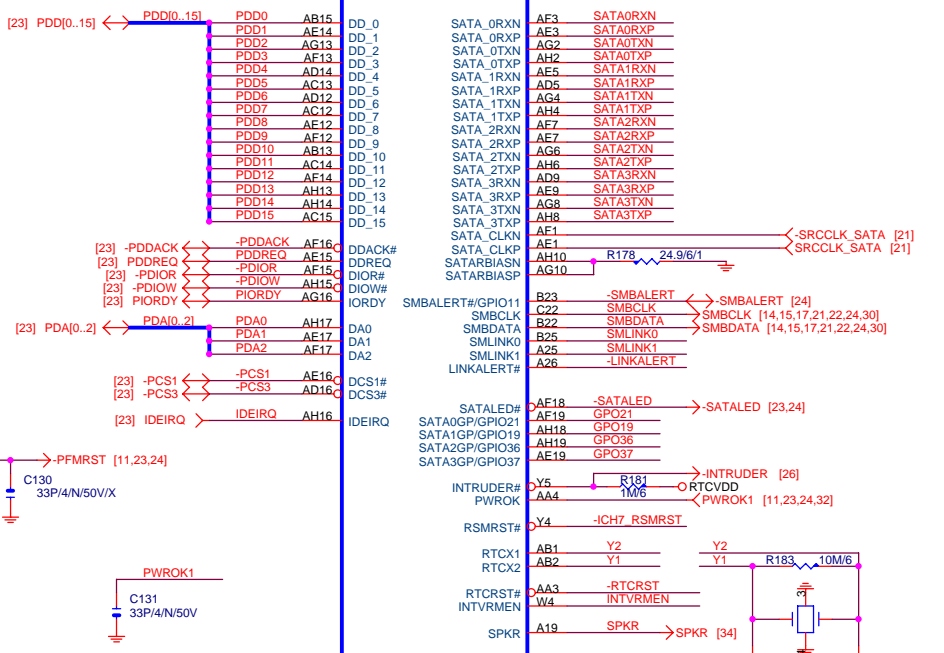
Gigabyte Technology		
Title ICH6-PCI, DMI, LAN, USB		
Size B	Document Number 81945AEF-AE	Rev 1.1
Date: Thursday, July 07, 2005	Sheet 18	of 34

U9D

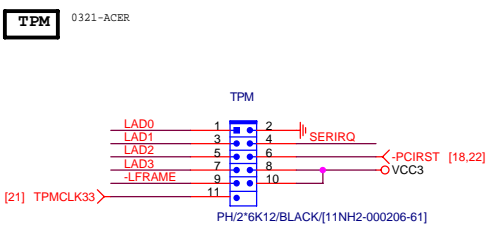


ICH7R/A1/ACER[10HB1-032801-M3R]

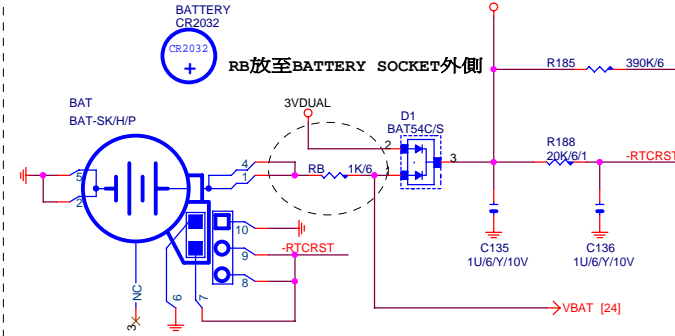
U9C



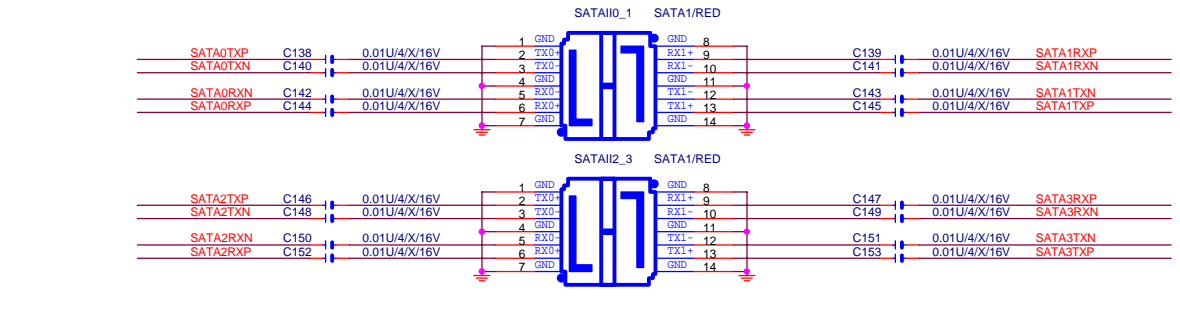
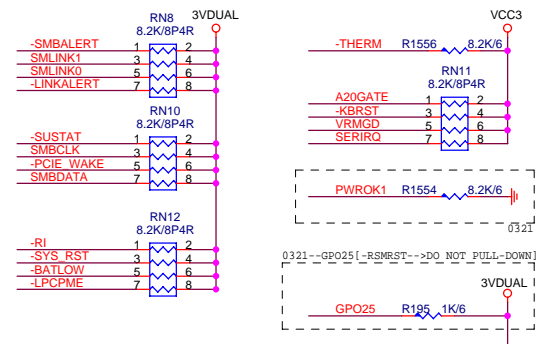
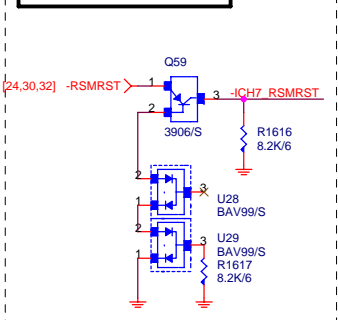
ICH7R/A1/ACER[10HB1-032801-M3R]



NEW TYPE: BATTERY-DUAL-2



RTC POWER-WELL CTR



Gigabyte Technology

Title: ICH6-IDE, SATA, GPIO, CTRL

Size: 81945AEF-AE

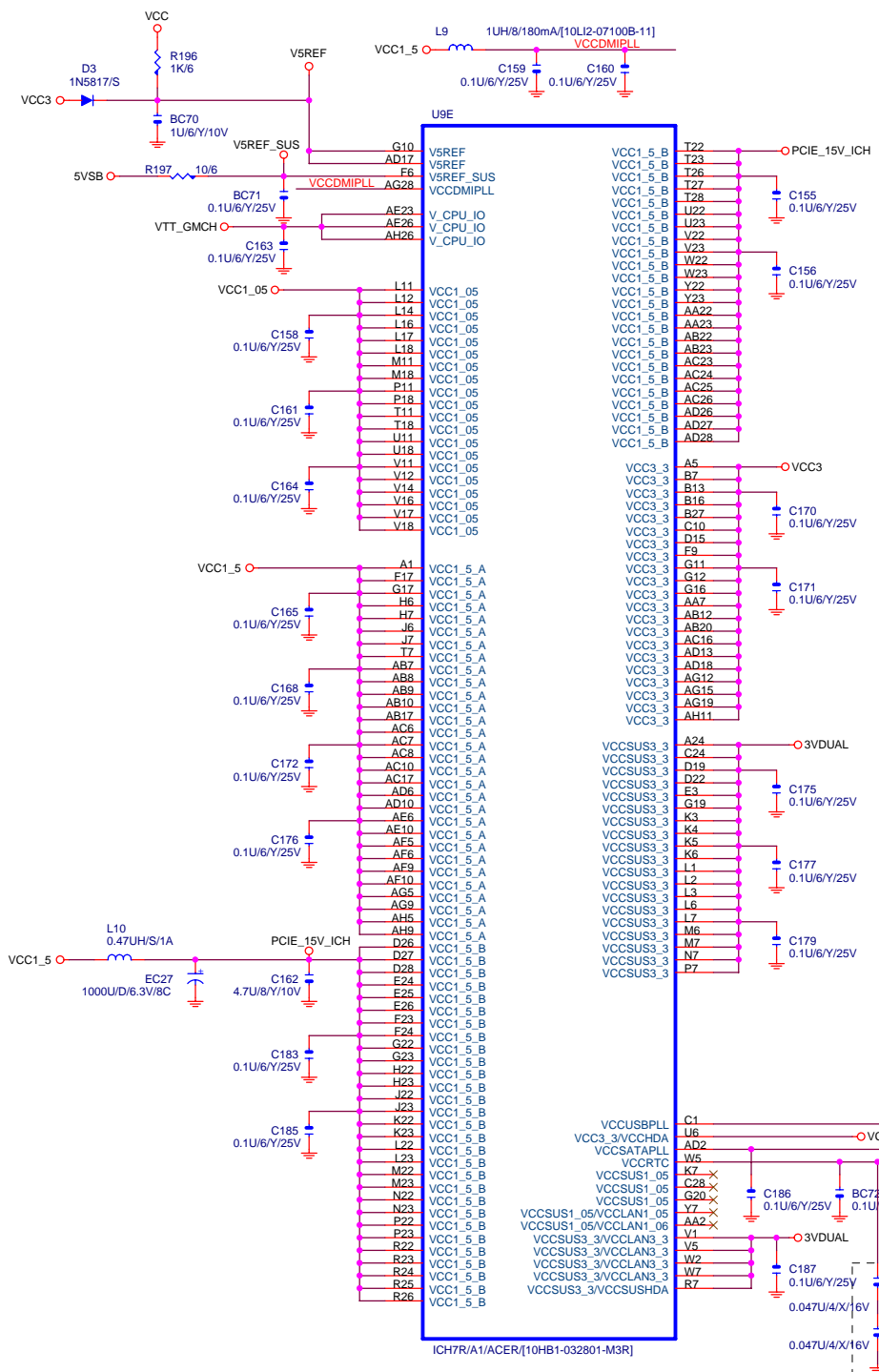
Rev: 1.1

Date: Thursday, July 07, 2005

Sheet: 19 of 34

U9F		
A4	VSS1	VSS101
A23	VSS2	VSS102
B1	VSS3	VSS103
B8	VSS4	VSS104
B11	VSS5	VSS105
B14	VSS6	VSS106
B17	VSS7	VSS107
B20	VSS8	VSS108
B26	VSS9	VSS109
B28	VSS10	VSS110
C2	VSS11	VSS111
C6	VSS12	VSS112
D10	VSS13	VSS113
D13	VSS14	VSS114
D18	VSS15	VSS115
D21	VSS16	VSS116
D24	VSS17	VSS117
E1	VSS18	VSS118
E2	VSS19	VSS119
E8	VSS20	VSS120
E15	VSS21	VSS121
F3	VSS22	VSS122
F4	VSS23	VSS123
F5	VSS24	VSS124
F12	VSS25	VSS125
F27	VSS26	VSS126
F28	VSS27	VSS127
G1	VSS28	VSS128
G2	VSS29	VSS129
G4	VSS30	VSS130
G6	VSS31	VSS131
G9	VSS32	VSS132
G14	VSS33	VSS133
G18	VSS34	VSS134
G21	VSS35	VSS135
G24	VSS36	VSS136
G25	VSS37	VSS137
G26	VSS38	VSS138
H3	VSS39	VSS139
H4	VSS40	VSS140
H5	VSS41	VSS141
H24	VSS42	VSS142
H27	VSS43	VSS143
H28	VSS44	VSS144
J1	VSS45	VSS145
J2	VSS46	VSS146
J5	VSS47	VSS147
J24	VSS48	VSS148
J25	VSS49	VSS149
J26	VSS50	VSS150
K24	VSS51	VSS151
K27	VSS52	VSS152
K28	VSS53	VSS153
L13	VSS54	VSS154
L15	VSS55	VSS155
L24	VSS56	VSS156
L25	VSS57	VSS157
L26	VSS58	VSS158
M3	VSS59	VSS159
M4	VSS60	VSS160
M5	VSS61	VSS161
M12	VSS62	VSS162
M13	VSS63	VSS163
M14	VSS64	VSS164
M15	VSS65	VSS165
M16	VSS66	VSS166
M17	VSS67	VSS167
M24	VSS68	VSS168
M27	VSS69	VSS169
M28	VSS70	VSS170
N1	VSS71	VSS171
N2	VSS72	VSS172
N5	VSS73	VSS173
N6	VSS74	VSS174
N11	VSS75	VSS175
N12	VSS76	VSS176
N13	VSS77	VSS177
N14	VSS78	VSS178
N15	VSS79	VSS179
N16	VSS80	VSS180
N17	VSS81	VSS181
N18	VSS82	VSS182
N24	VSS83	VSS183
N25	VSS84	VSS184
N26	VSS85	VSS185
P3	VSS86	VSS186
P4	VSS87	VSS187
P12	VSS88	VSS188
P13	VSS89	VSS189
P14	VSS90	VSS190
P15	VSS91	VSS191
P16	VSS92	VSS192
P17	VSS93	VSS193
P24	VSS94	VSS194
P27	VSS95	VSS195
P28	VSS96	VSS196
R1	VSS97	VSS197
R11	VSS98	VSS198
R12	VSS99	VSS199
R13	VSS100	VSS200

ICH7R/A1/ACER[10HB1-032801-M3R]

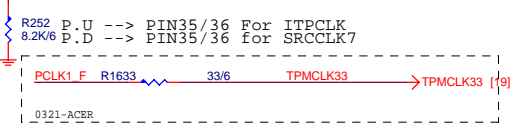
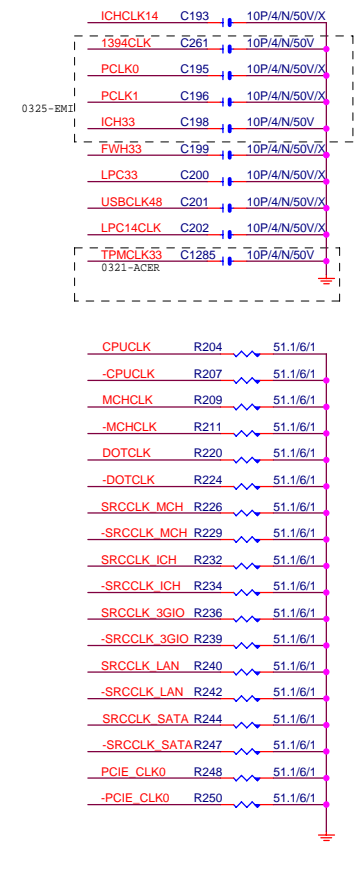
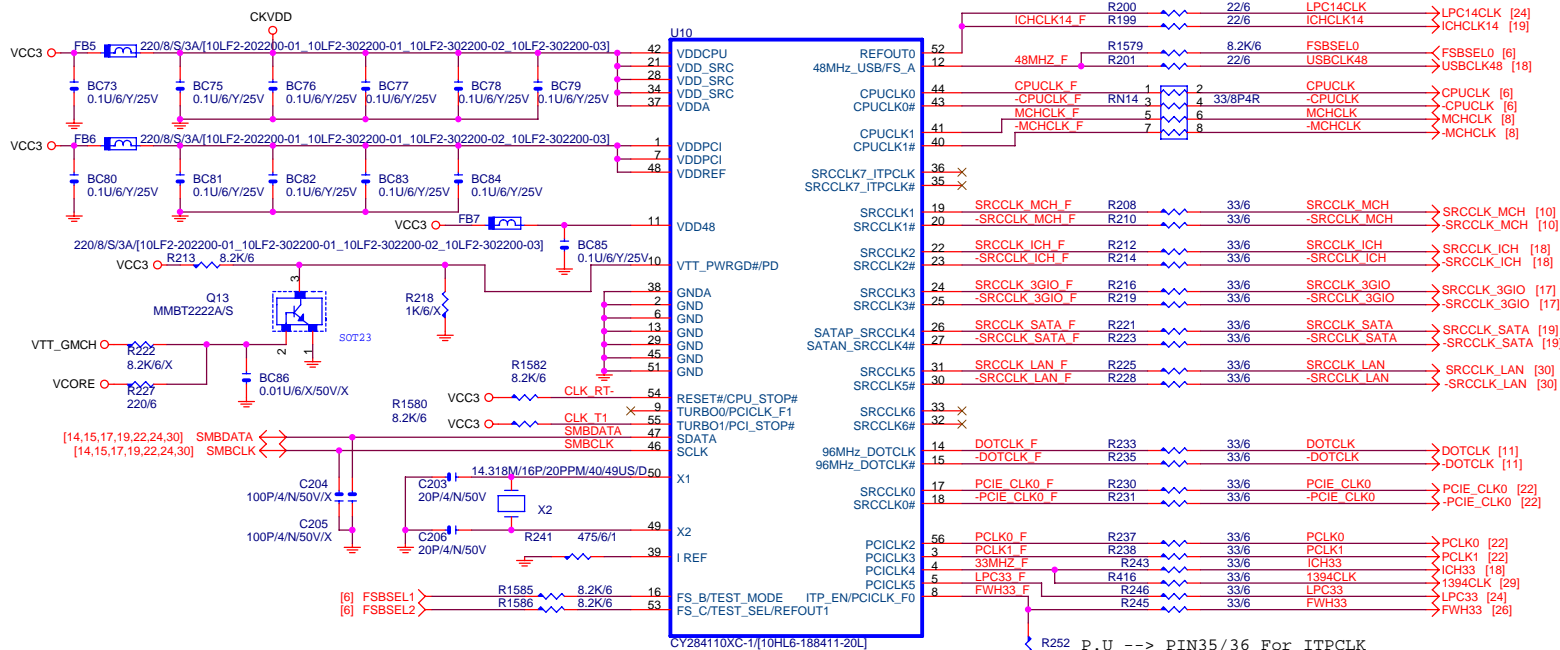


ICH7R/A1/ACER[10HB1-032801-M3R]

Gigabyte Technology

ICH6-PWR & GND

Title		ICH6-PWR & GND	
Size	Document Number	8I945AEF-AE	
B		Rev	1.1
Date:	Thursday, July 07, 2005	Sheet	20 of 34

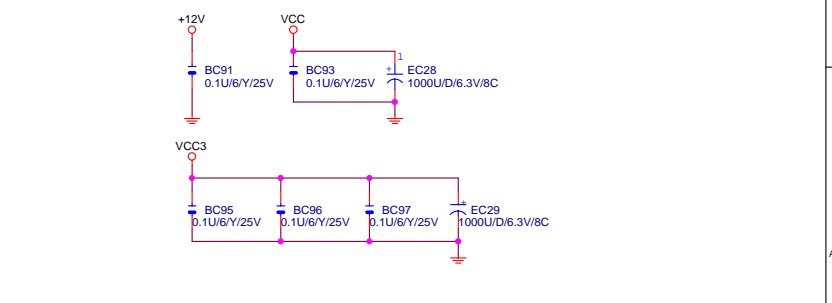
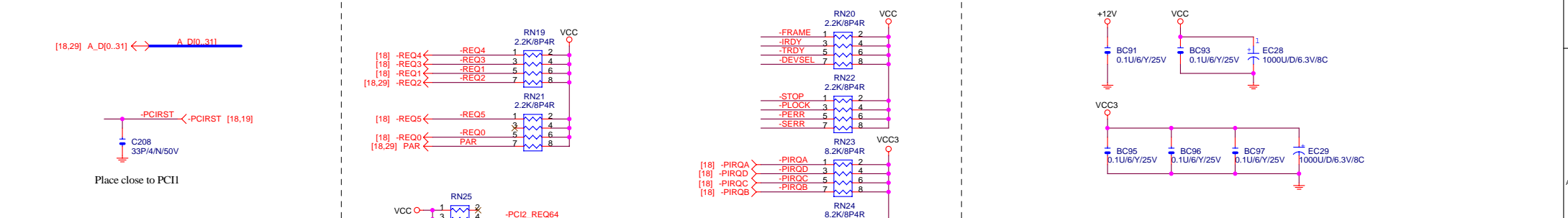
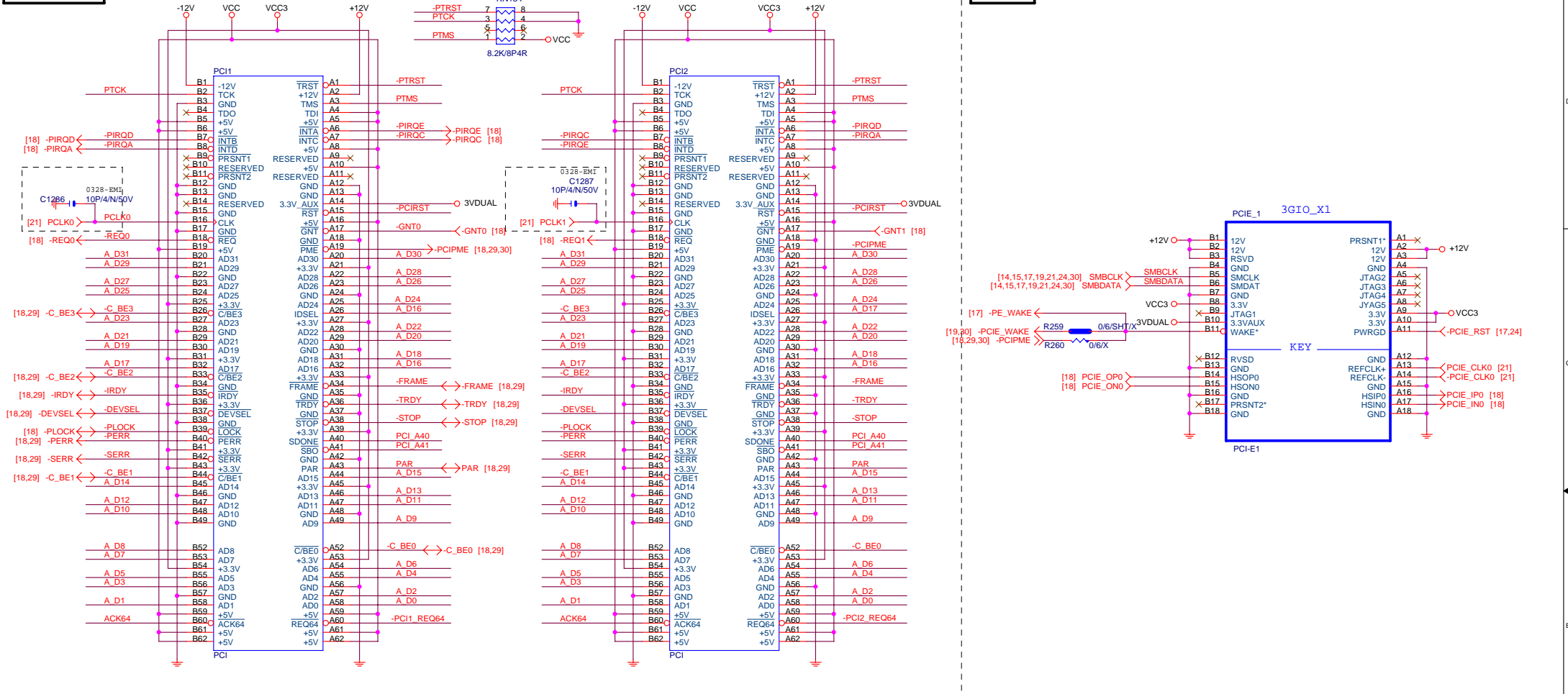


Gigabyte Technology

Title			CK410M		
Size			8I945AEF-AE		
Custom	Document Number		Rev	1.1	
Date:	Thursday, July 07, 2005	Sheet	21	of 34	

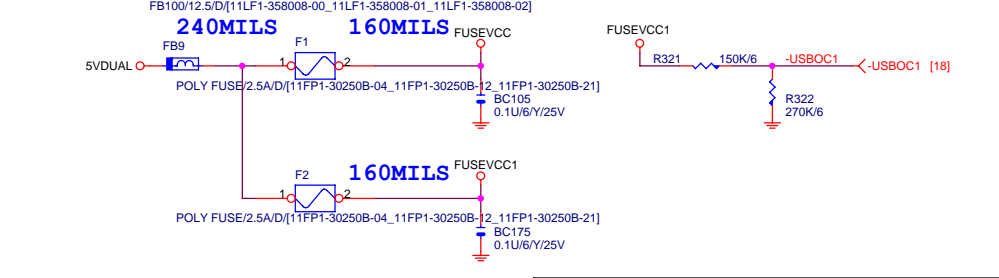
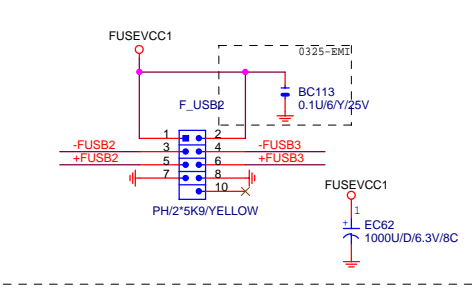
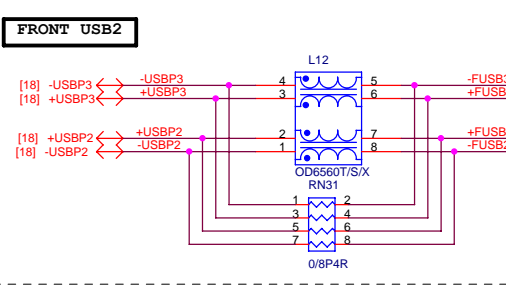
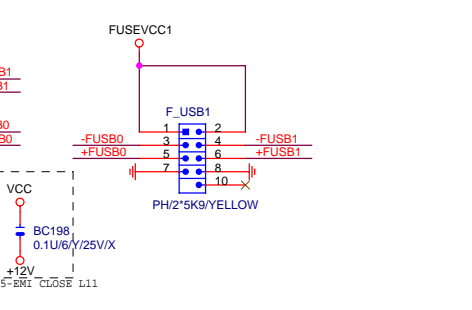
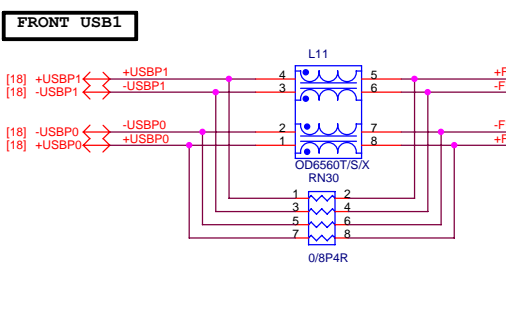
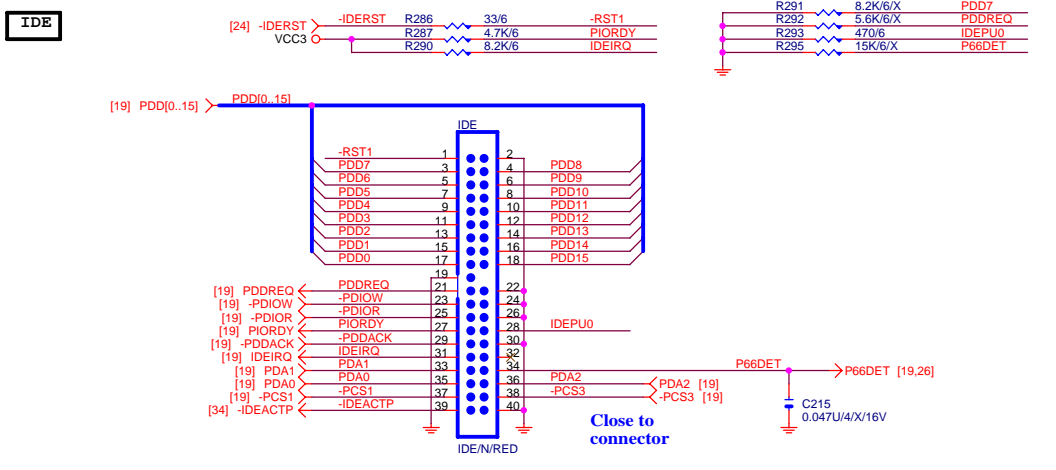
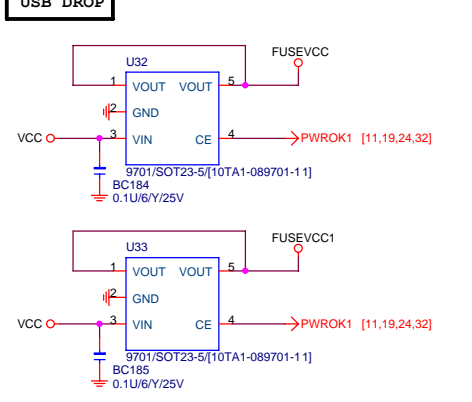
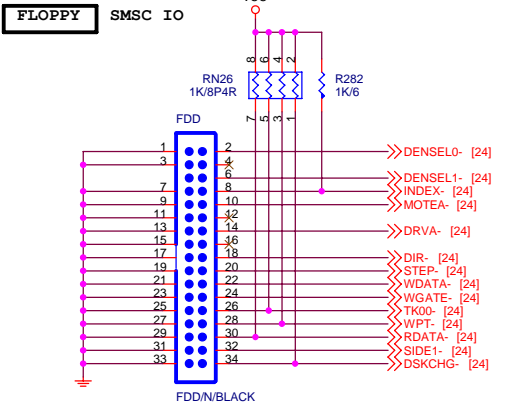
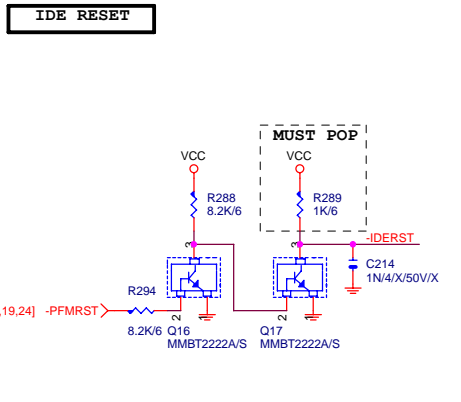
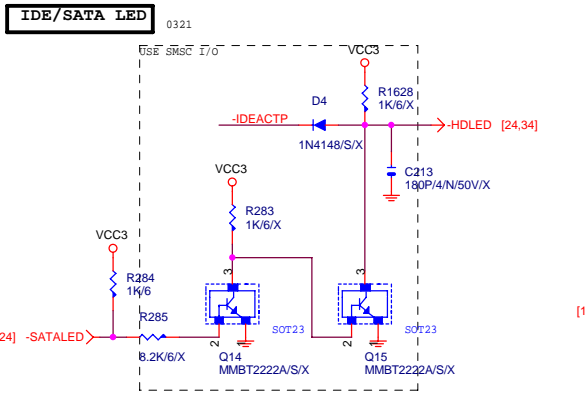
PCI1, 2 SLOT

PCIe*1

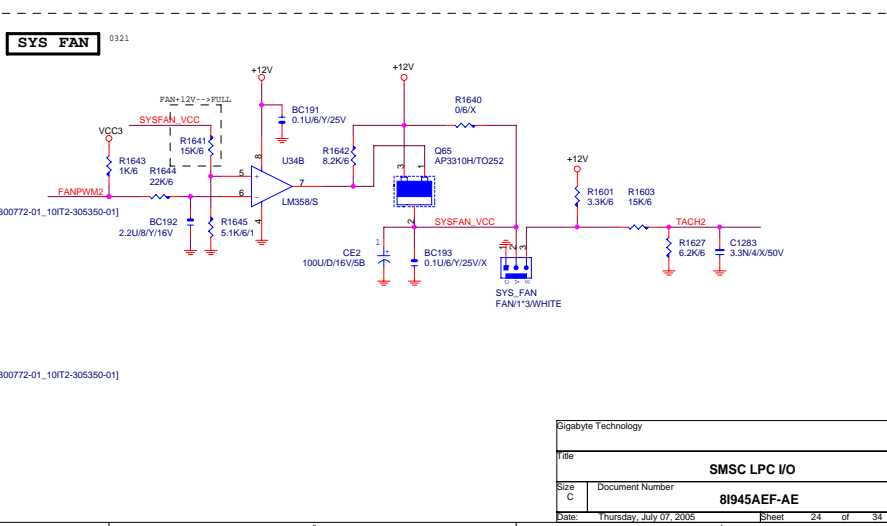
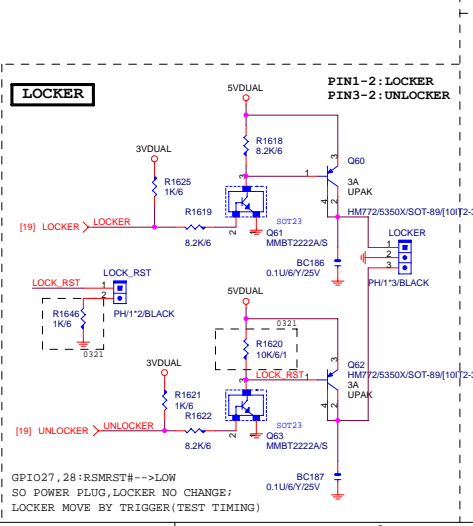
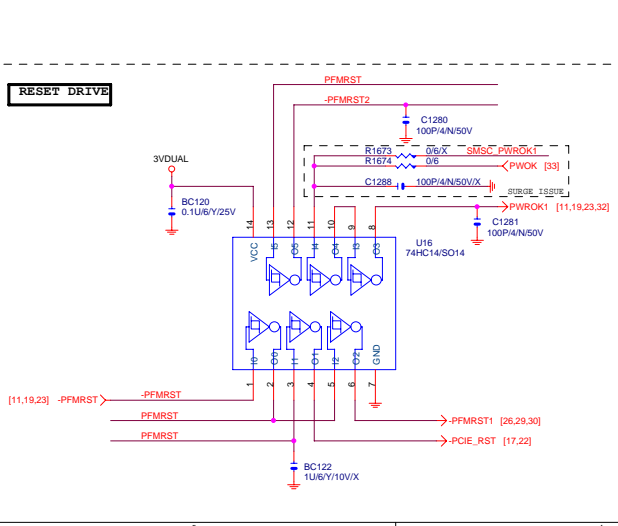
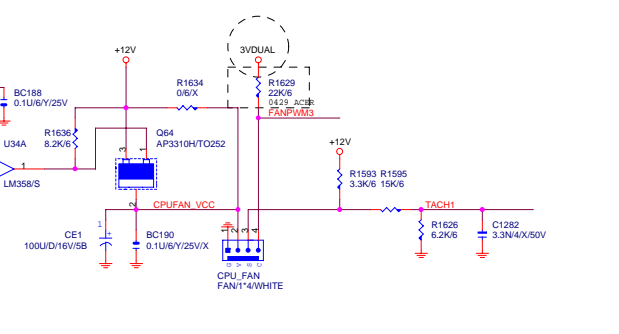
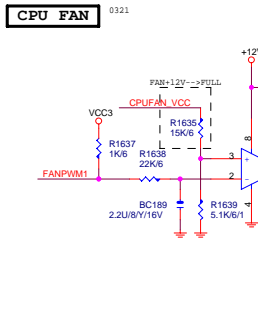
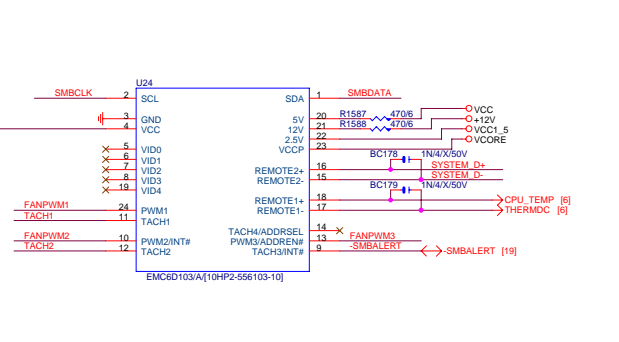
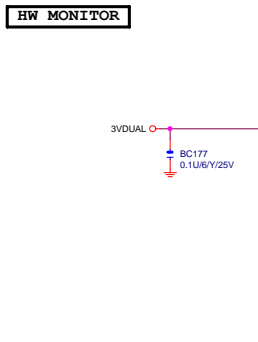
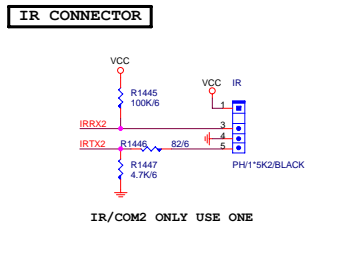
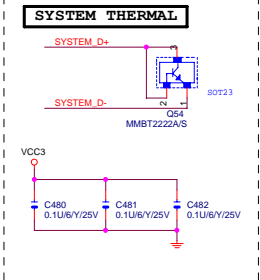
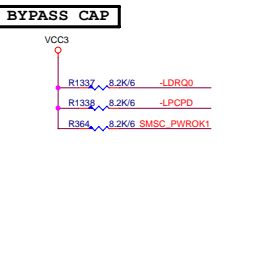
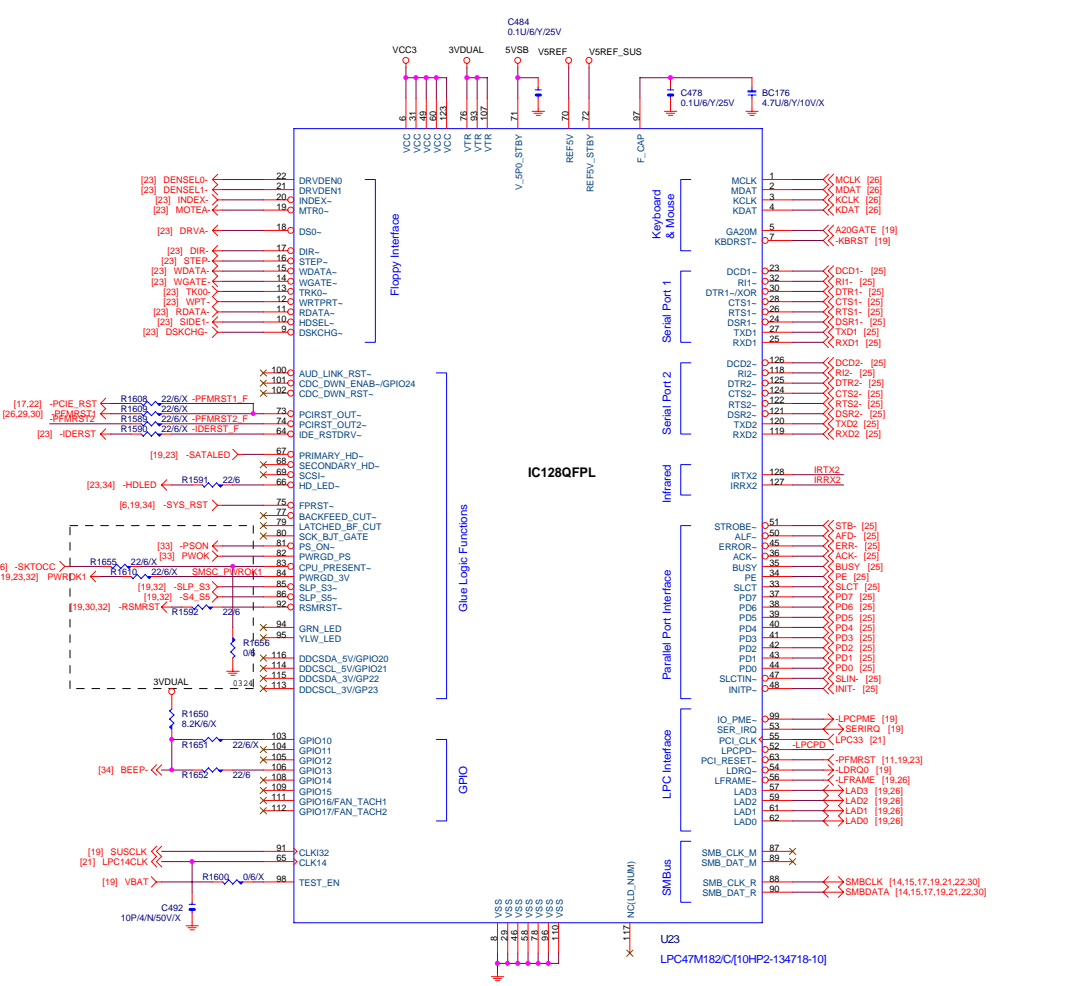


Gigabyte Technology

PCI SLOT 1, 2/PCIEX1		
81945AEF-AE		
Title	Document Number	
Size	Rev 1.1	
Date	Thursday, July 07, 2005	Sheet 22 of 34

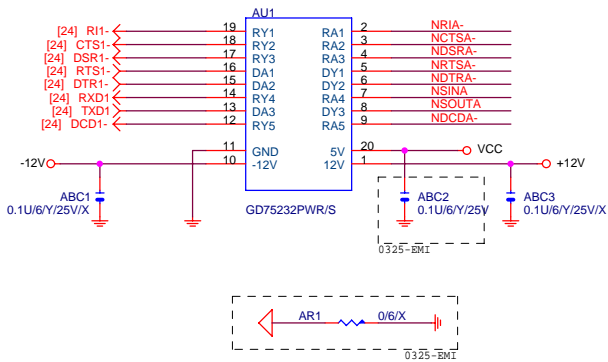


Gigabyte Technology		
IDE		
Title	81945AEF-AE	
Size	Document Number	Rev
B	81945AEF-AE	1.1
Date:	Thursday, July 07, 2005	Sheet 23 of 34

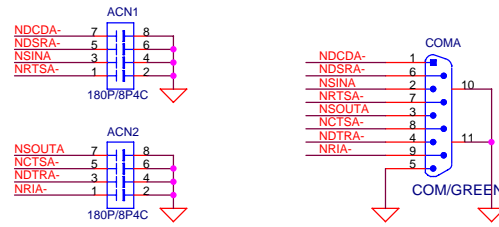


Gigabyte Technology		
File		
SMSC LPC I/O		
Size	Document Number	Rev
C	81945AEF-AE	1.1
Date	Thursday, July 07, 2005	Sheet 24 of 34

COMA

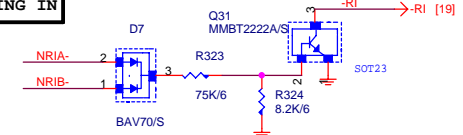


EXTERNAL COMA

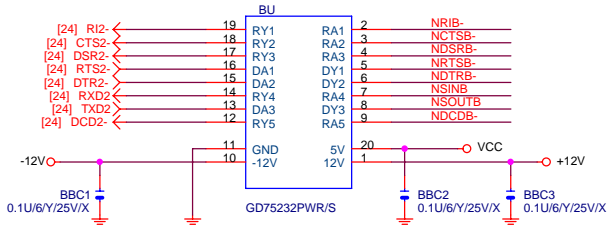


PLACE NEAR COM CONNECTOR

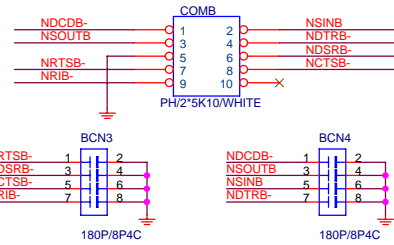
RING IN



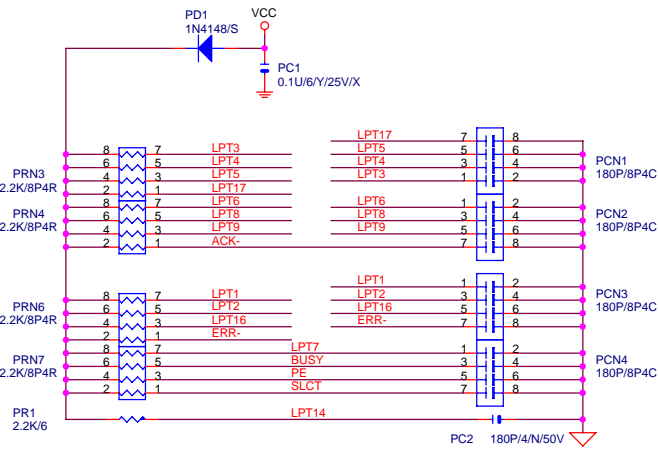
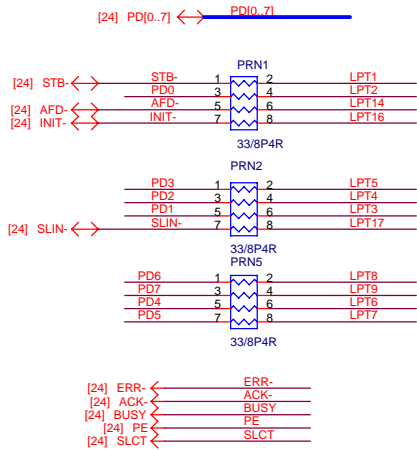
COMB



INTERNAL COMB



LPT PORT

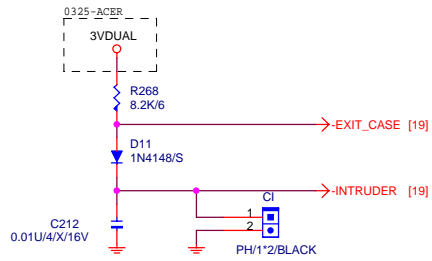


Gigabyte Technology

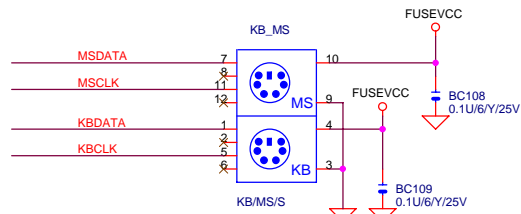
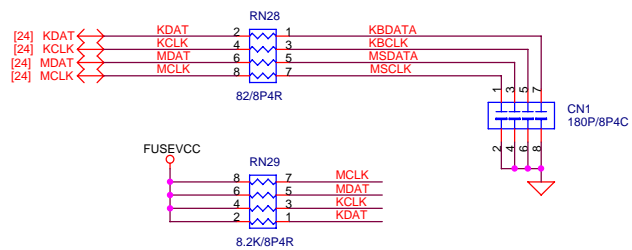
Title		COM & LPT PORT	
Size	Document Number	Rev	
B		81945AEF-AE	
Date:	Thursday, July 07, 2005	Sheet	25 of 34
		1	

CASE OPEN

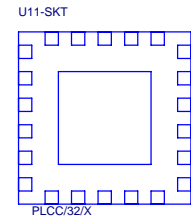
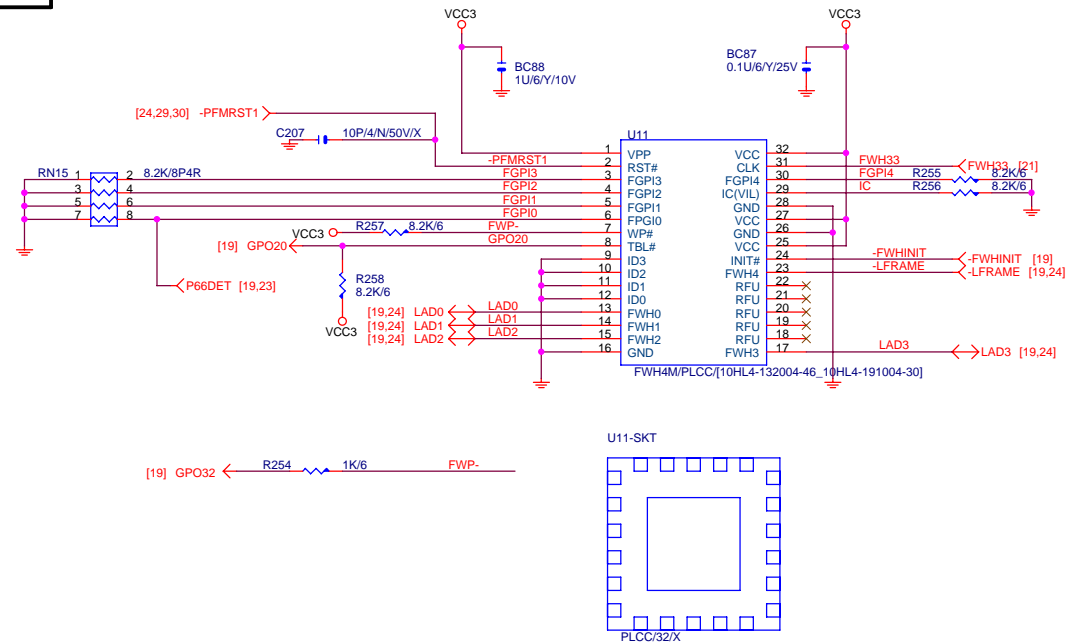
CASE OPEN=LOW;
CASE CLOSE=HI;



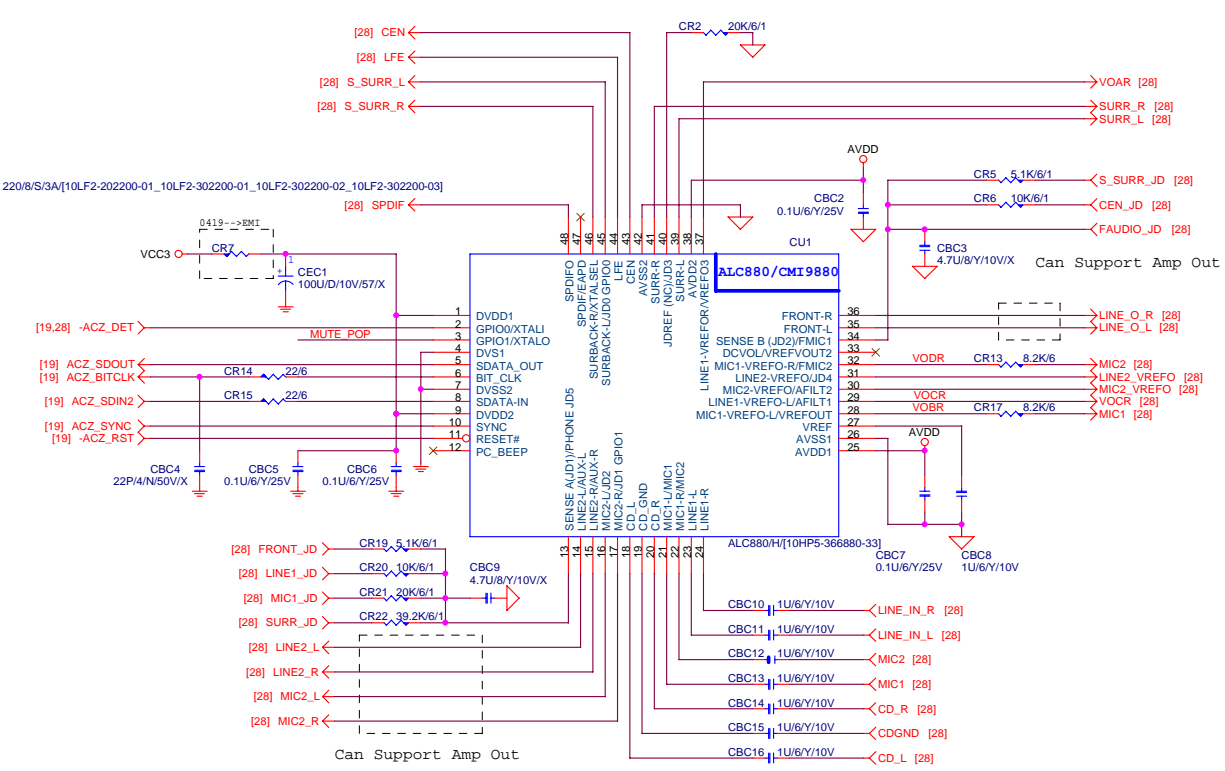
KB/MS



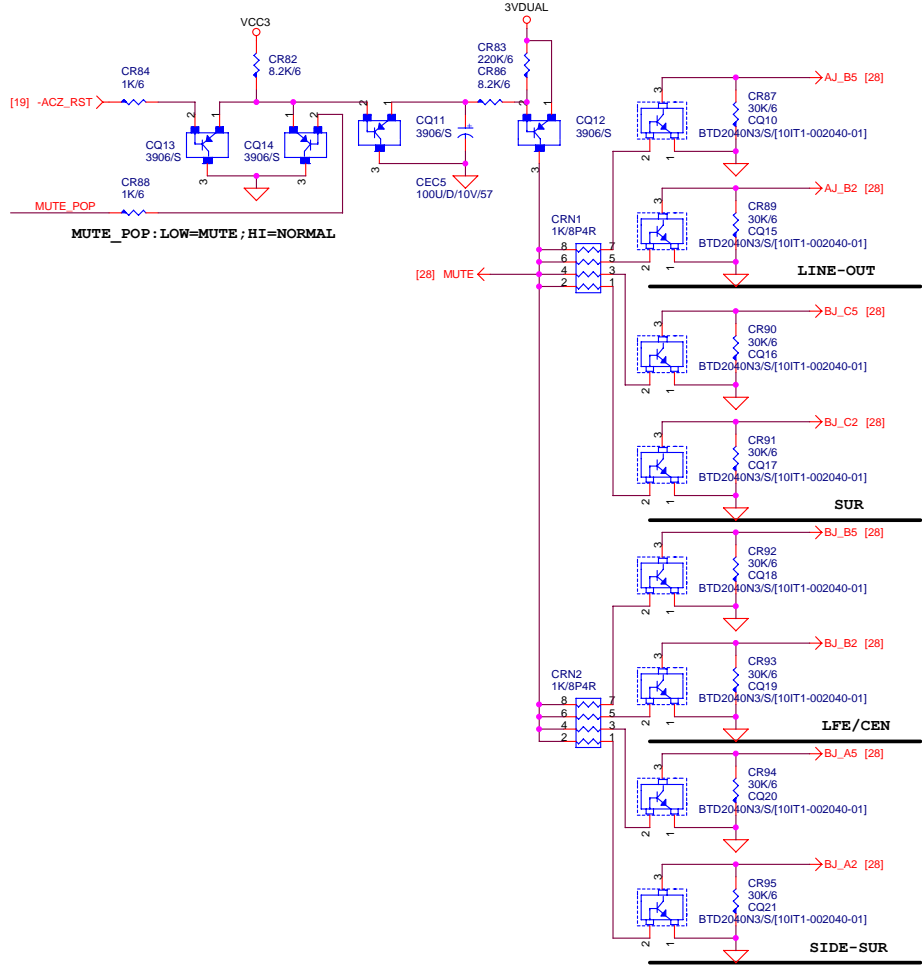
FWM BIOS



AZALIA CODEC



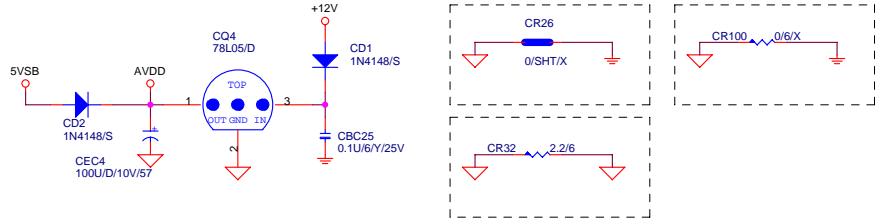
ANTI-POP NOISE



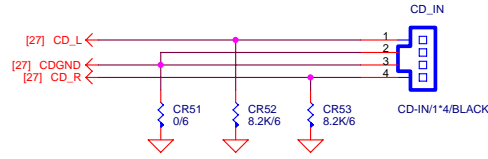
Gigabyte Technology

Title		
AC97 ALC658		
Size	Document Number	Rev
Custom	81945AEF-AE	1.1
Date:	Thursday, July 07, 2005	Sheet 27 of 34

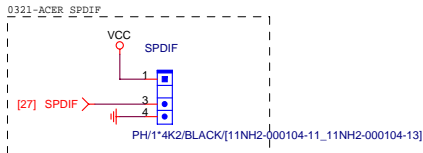
CODEC POWER/EMI PAD



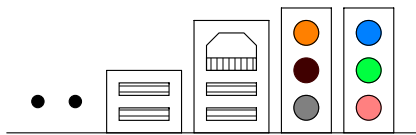
CD IN



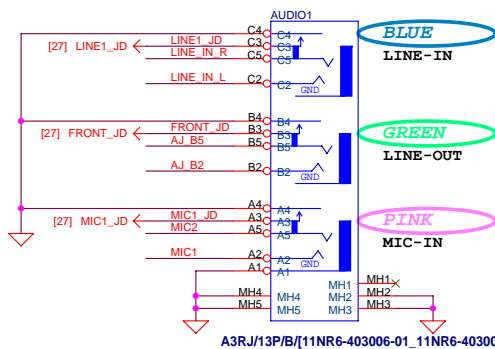
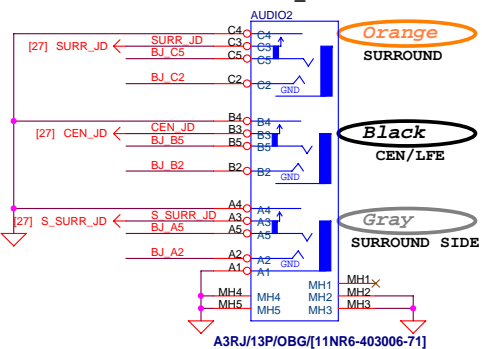
SPDIF



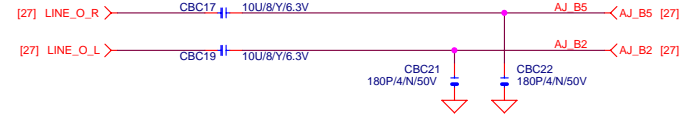
AZALIA JACK ACER REQUEST CHANGE LOCTION



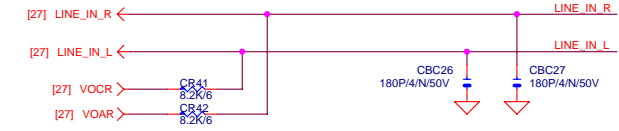
0321 NEW TYPE: IBM_AUDIO-13P-1



LINE-OUT



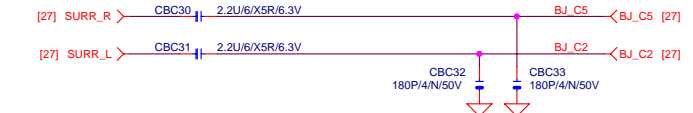
LINE-IN



MIC-IN



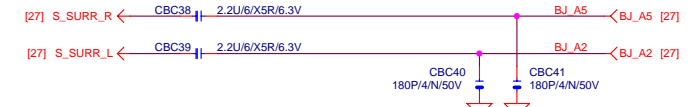
SURROUND



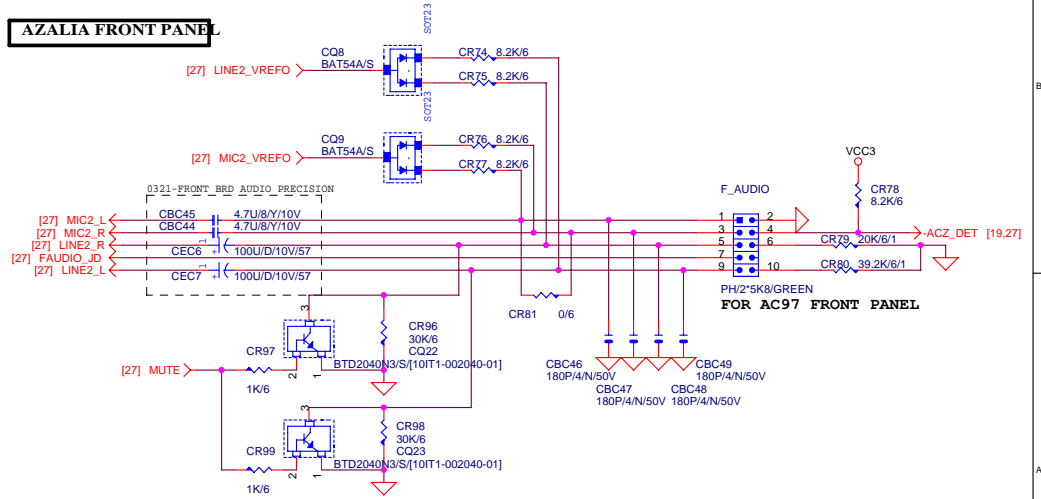
CEN/LFE



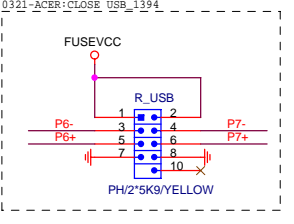
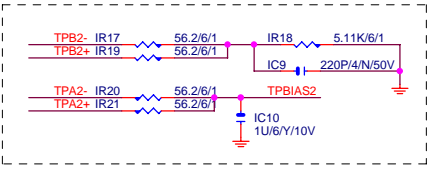
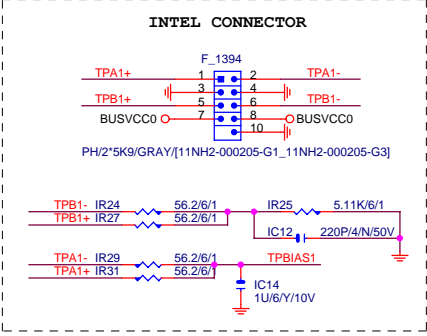
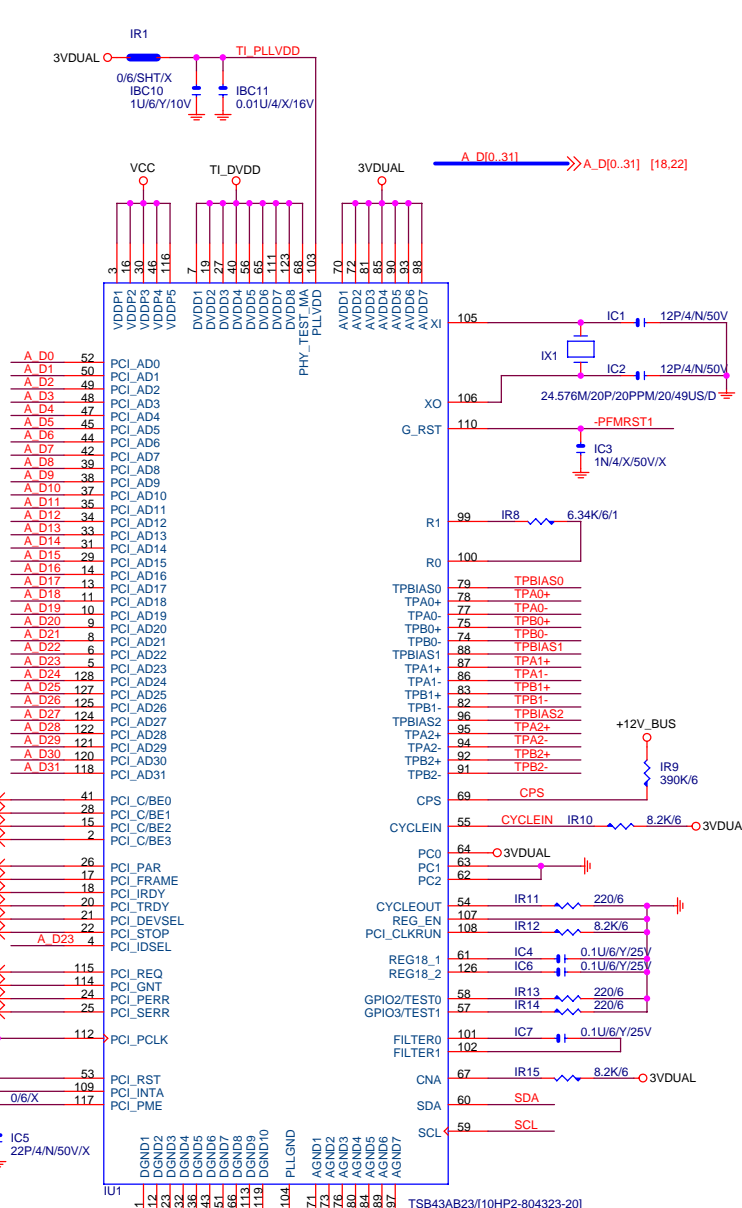
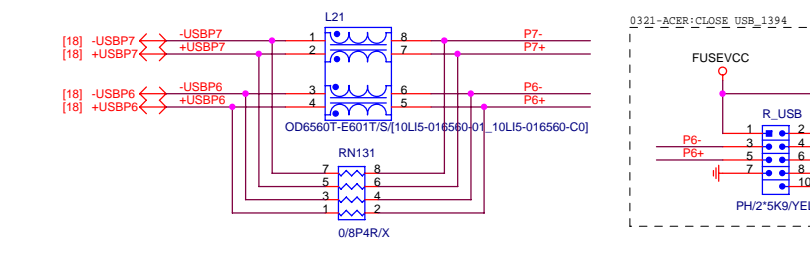
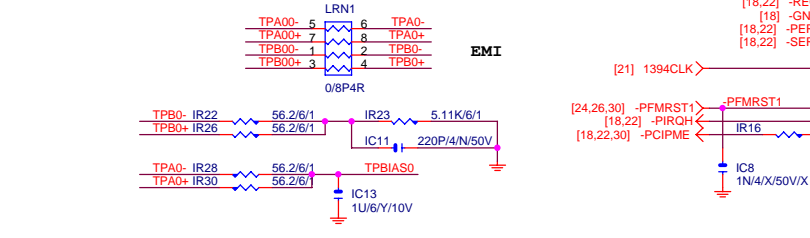
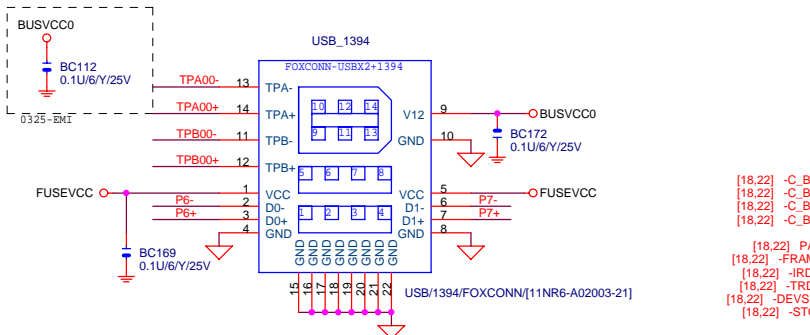
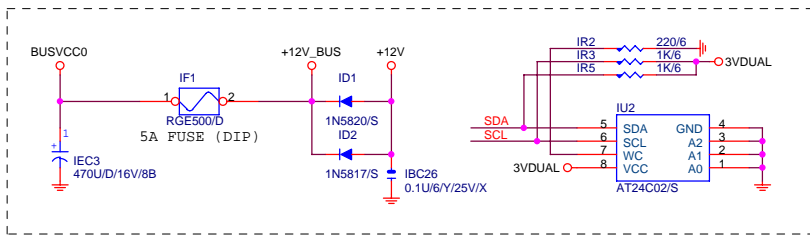
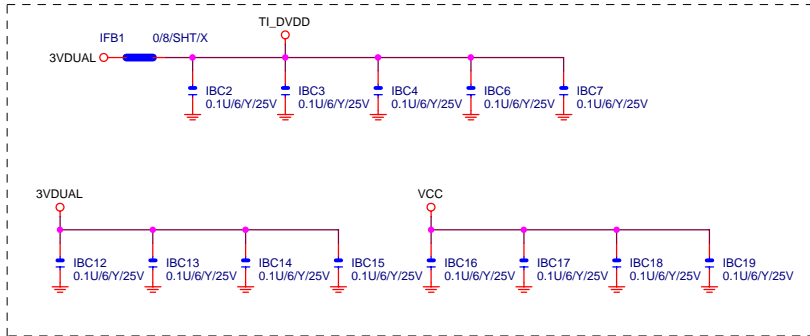
SURR BACK



AZALIA FRONT PANEL



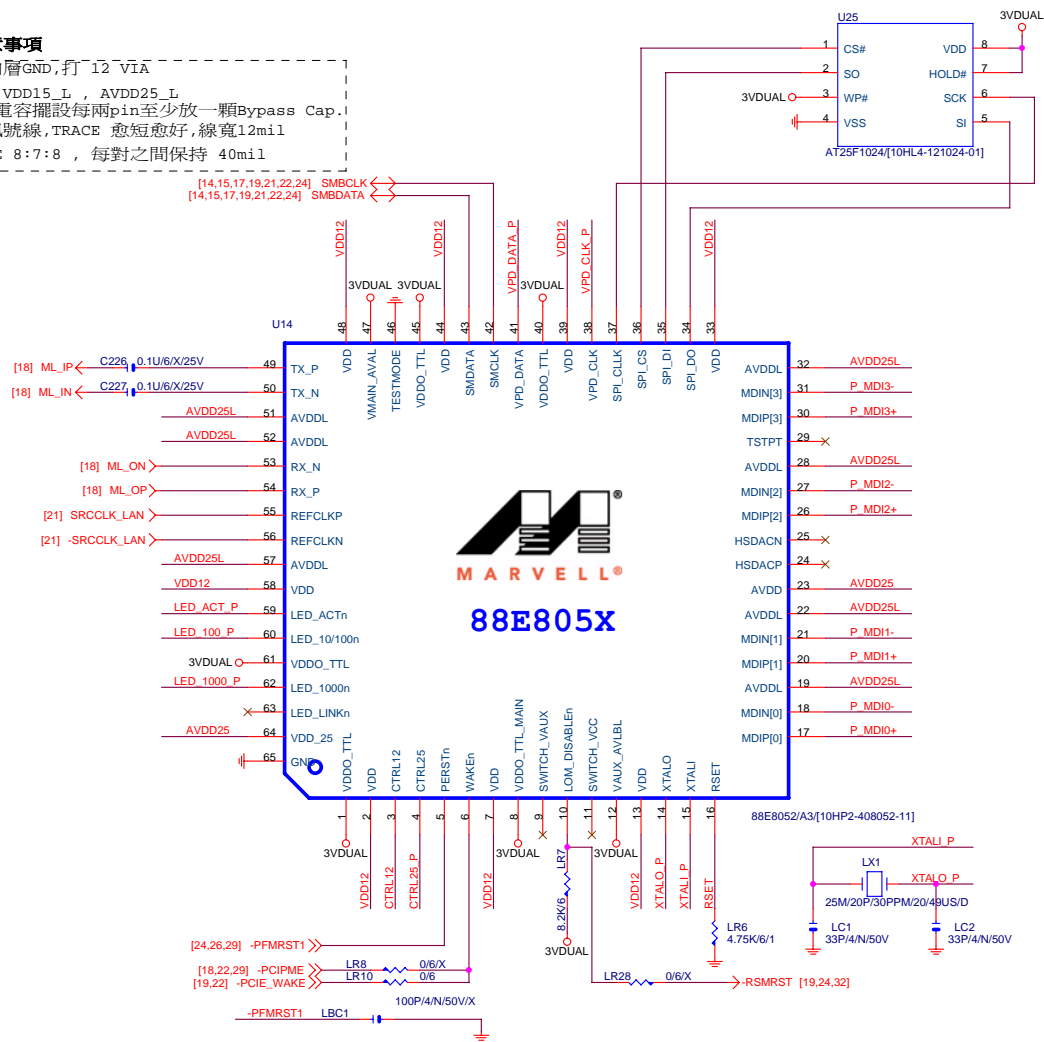
Gigabyte Technology		
Title	AUDIO JACK	
Size	Document Number	Rev
Custom	8I945AEF-AE	1.1
Date:	Thursday, July 07, 2005	Sheet 28 of 34



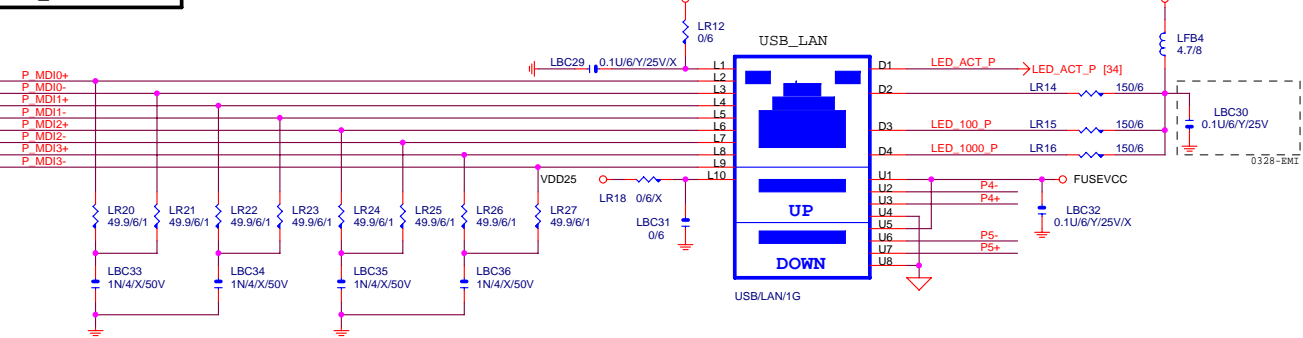
PCIE-1G LAN

Layout Check 注意事項

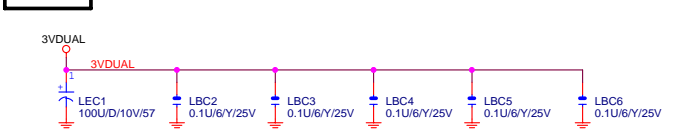
1. Lu1 PIN65 需下內層GND,打 12 VIA
2. 3VDUAL, VCC3, VDD15_L, AVDD25_L 至少走20mil寬,並且電容擺設每兩pin至少放一顆Bypass Cap.
3. X'TAL 25MHz 兩訊號線,TRACE 愈短愈好,線寬12mil
4. MDI正負0~3,TRACE 8:7:8, 每對之間保持 40mil



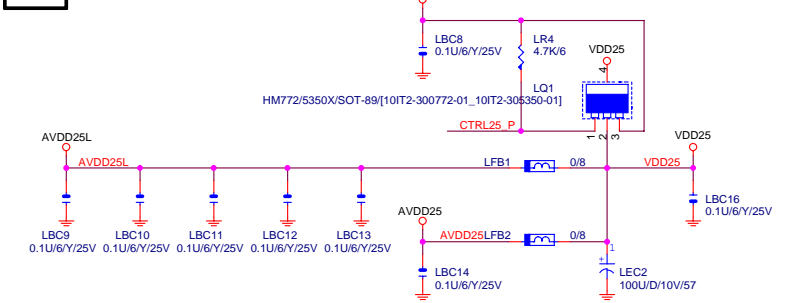
USB LAN CONNECTOR



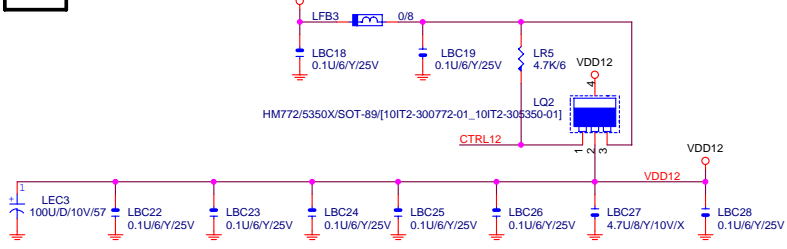
3VDUAL



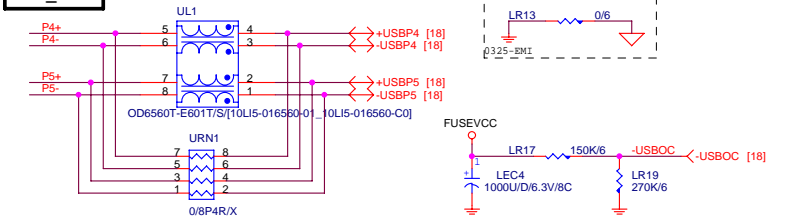
2.5V



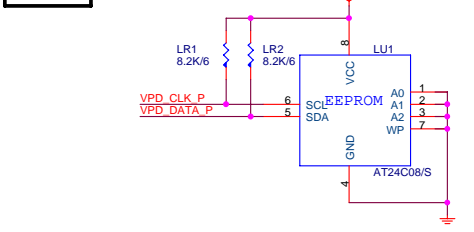
1.2V



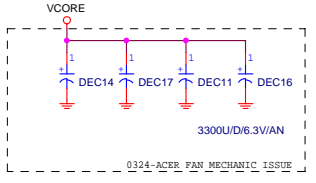
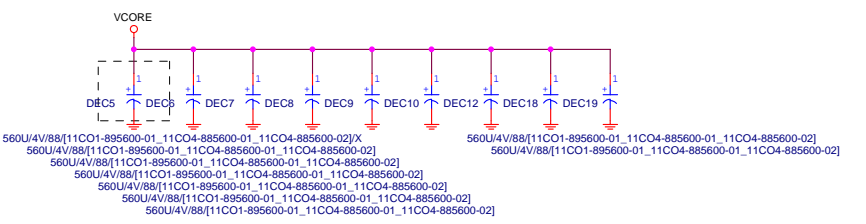
USB LAN



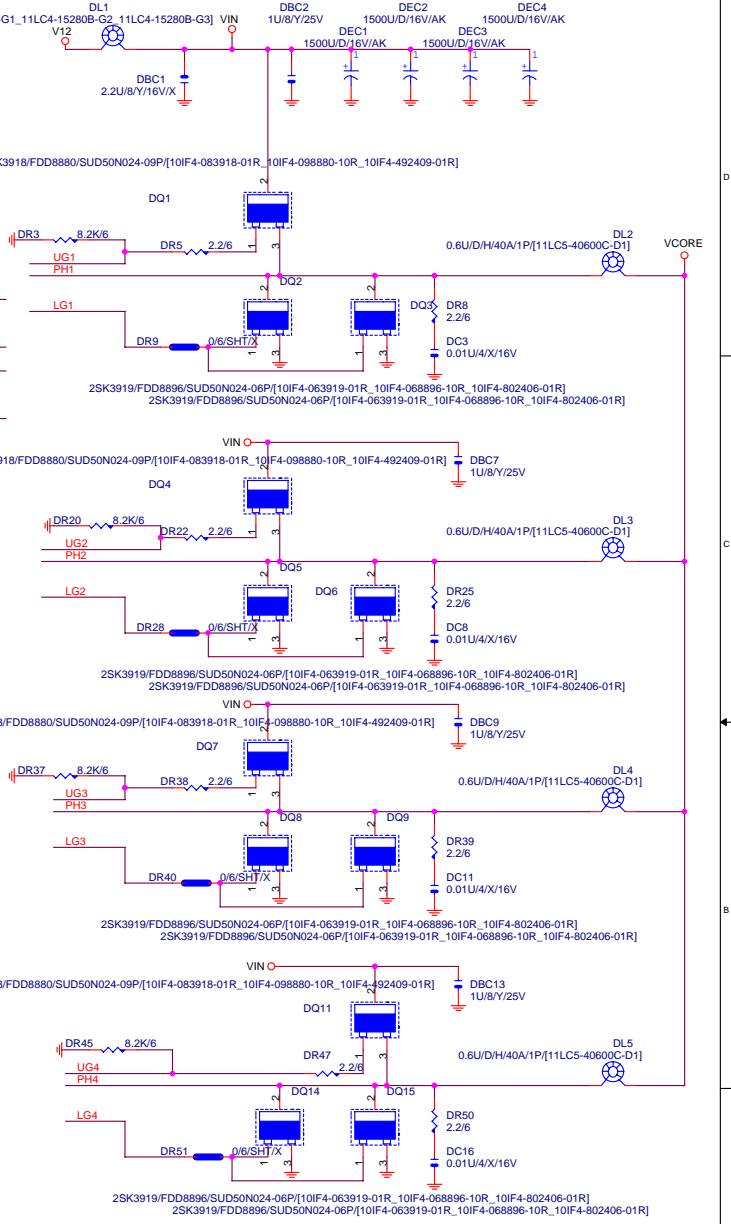
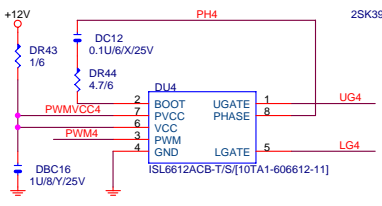
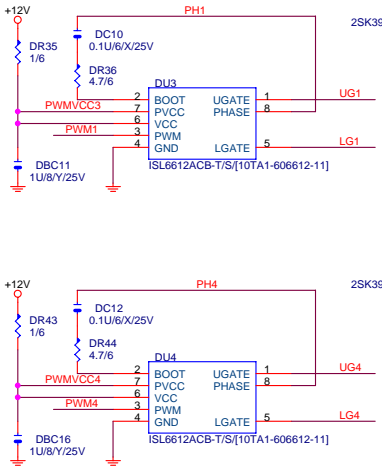
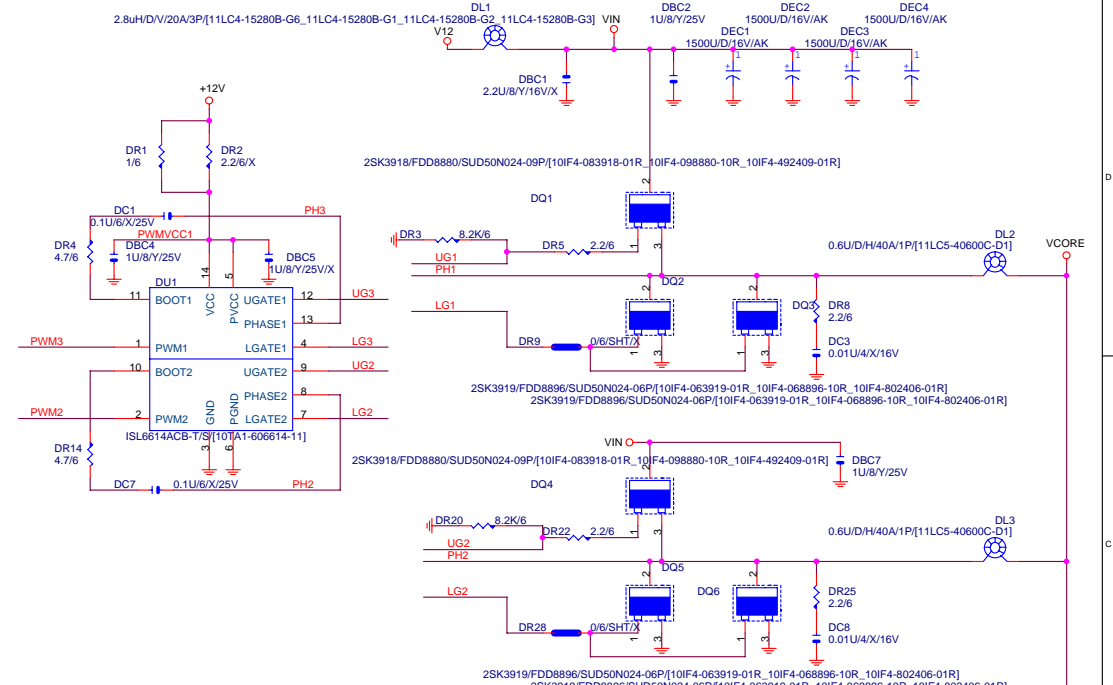
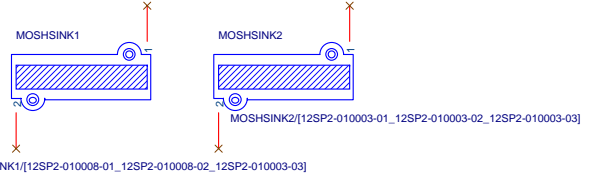
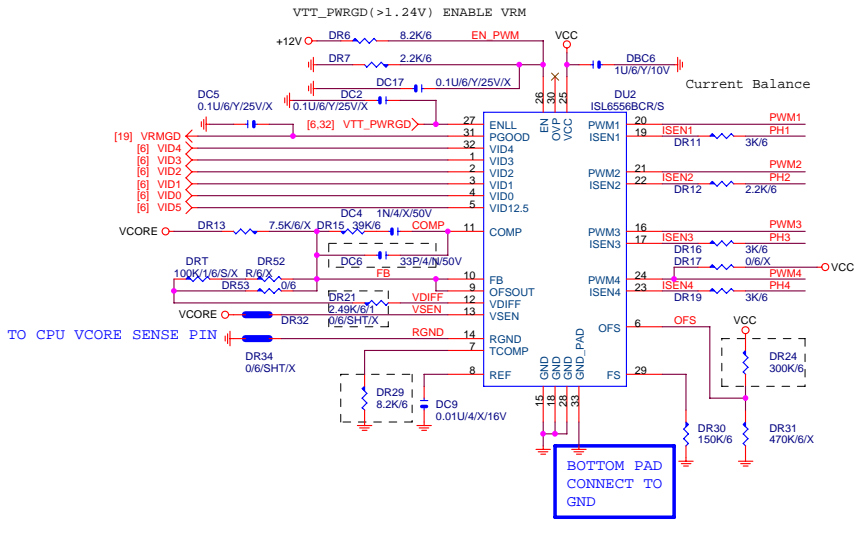
EEPROM



Gigabyte Technology		
Title	MARVELL 88E8052	
Size	Document Number	Rev
Custom	81945AEF-AE	1.1
Date:	Thursday, July 07, 2005	Sheet 30 of 34

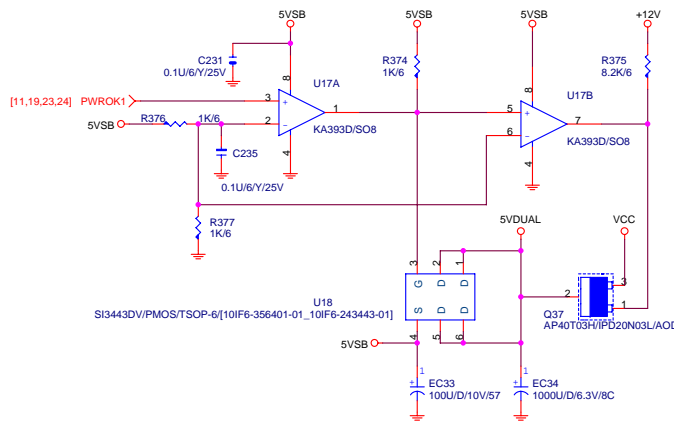


1800U/D/6.3V/8K[11CL1-8K1801-11_11CL1-8K1801-12]
 1800U/D/6.3V/8K[11CL1-8K1801-11_11CL1-8K1801-12]
 1800U/D/6.3V/8K[11CL1-8K1801-11_11CL1-8K1801-12]

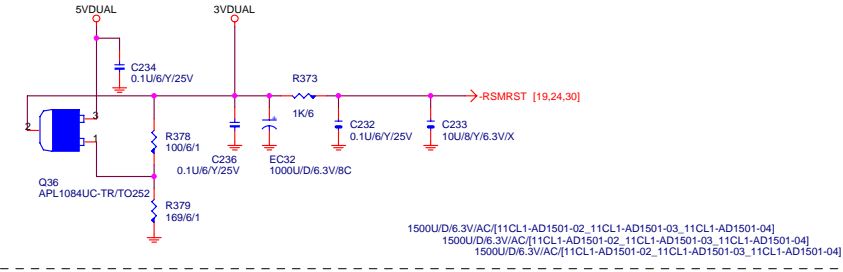


Gigabyte Technology			
Title	VCCORE PWM_ISL6556		
Size	Document Number	81945AEF-AE	
Custom			Rev 1.1
Date:	Thursday, July 07, 2005	Sheet	31 of 34

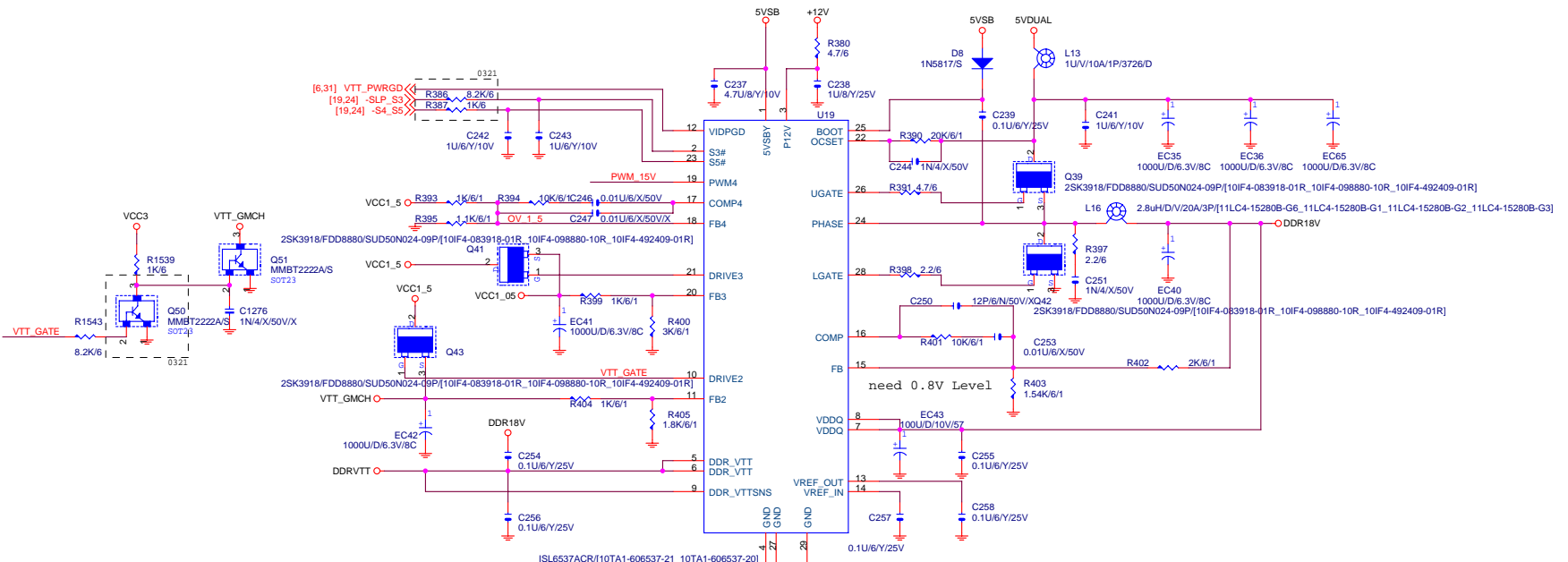
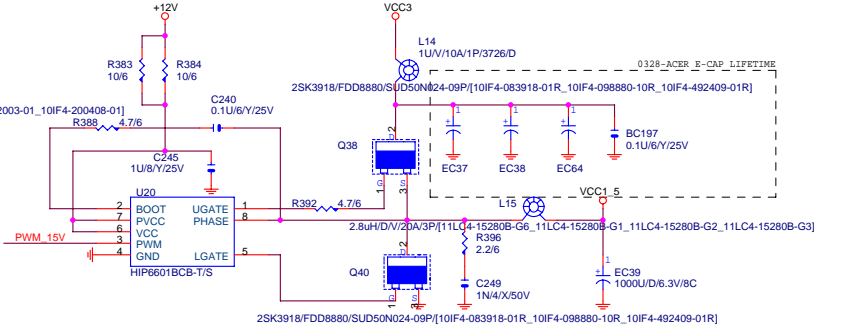
5VDUAL



3VDUAL



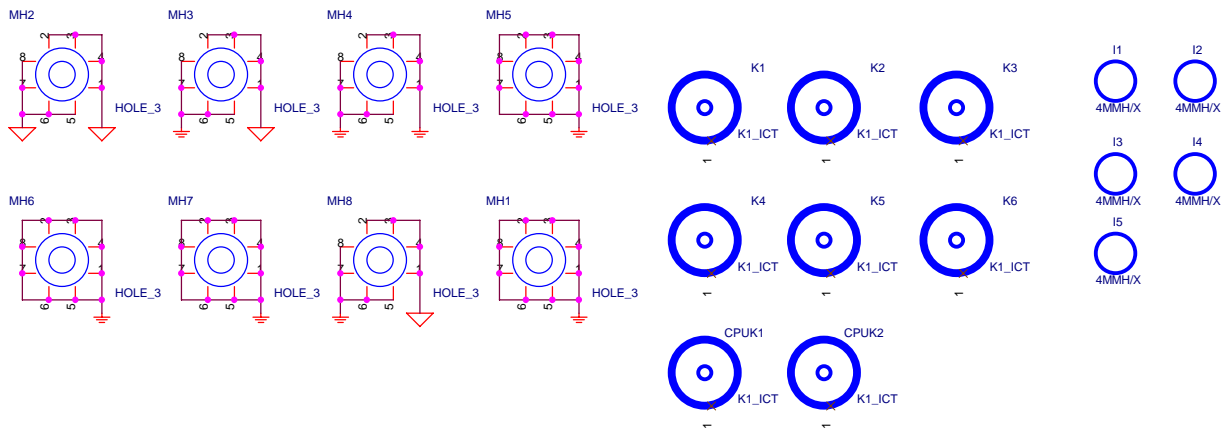
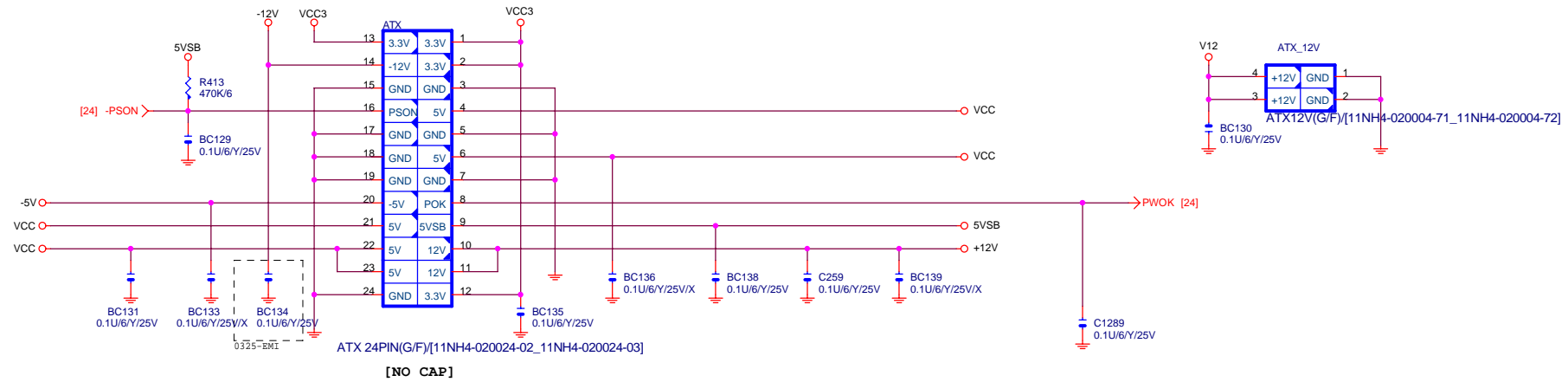
VCC1_5



BOTTOM PAD
USE 6 VIAS
CONNECT TO
GND

Gigabyte Technology		
DISCRETE POWER		
Title	DISCRETE POWER	
Size	Document Number	81945AEF-AE
Custom		Rev 1.1
Date:	Thursday, July 07, 2005	Sheet 32 of 34

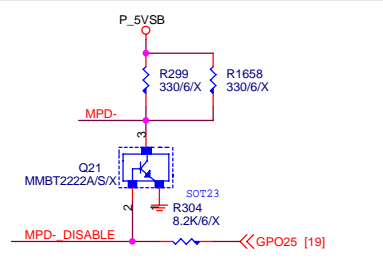
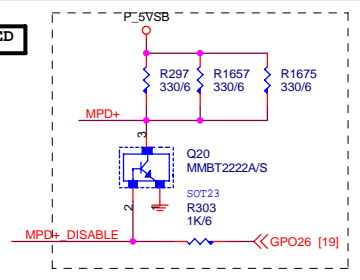
ATX POWER CONNECTOR



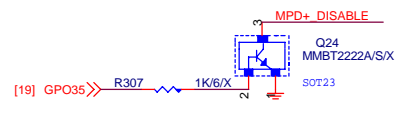
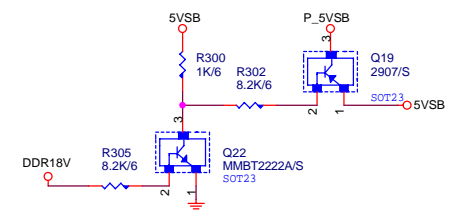
Gigabyte Technology			
Title			
ATX POWER CONNECTOR			
Size	Document Number		Rev
B	8I945AEF-AE		1.1
Date:	Thursday, July 07, 2005	Sheet	33 of 34
	2		1

DUAL COLOR LED

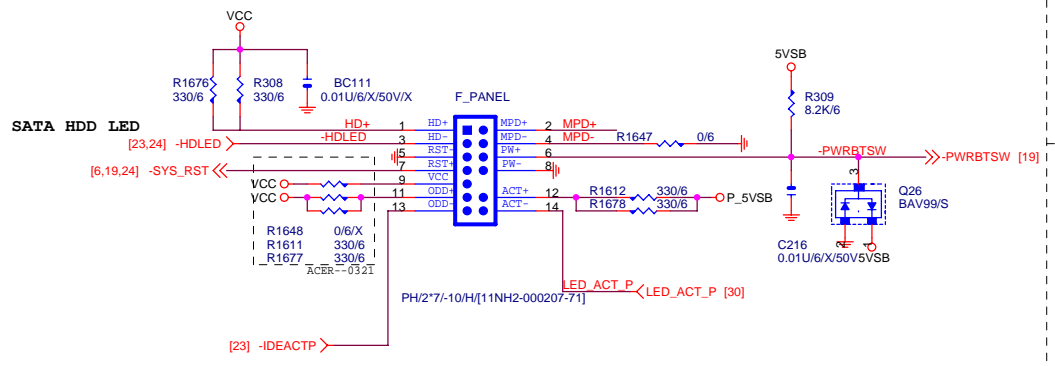
0321



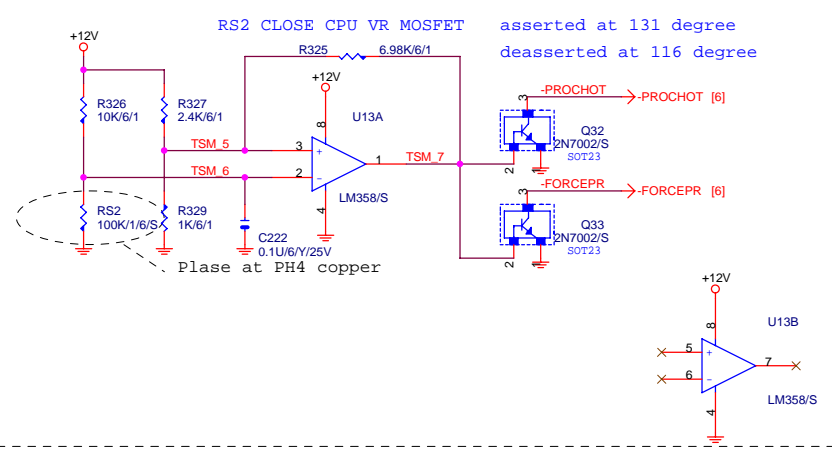
PREVENT SO W/O CPU, GREEN IS ON.



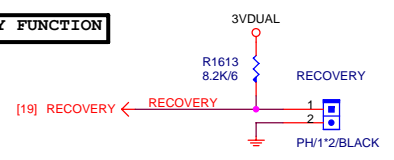
INTEL FRONT PANEL modify PIN2*7 cut 10pin for ACER



PROCESSOR HOT

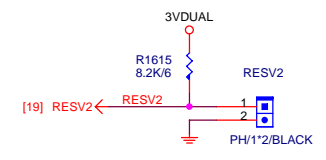
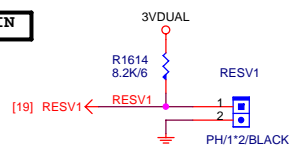


RECOVERY FUNCTION

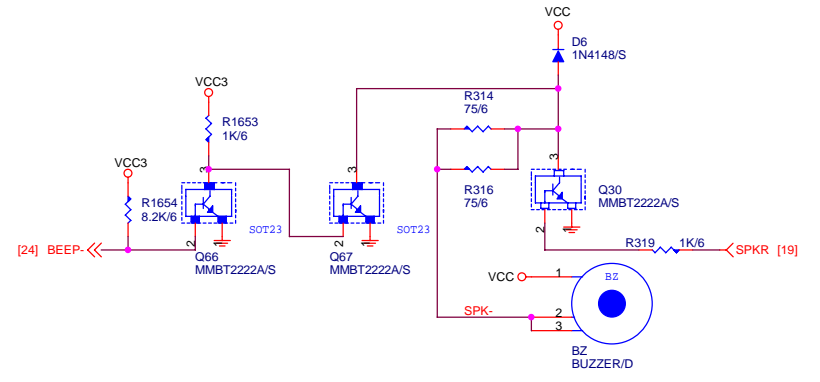


RECOVERY	
OPEN	NORMAL
SHORT	RECOVERY

RESERVE PIN



BUZZER



Gigabyte Technology		
Title FRONT PANEL		
Size Custom	Document Number 8I945AEF-AE	Rev 1.1
Date: Thursday, July 07, 2005	Sheet 34 of 34	