

C51PVGM-M

REV:1.1 PCB:15-K57-011100
BOM:89-386-K57122

Page Index

- 01-COVER PAGE
- 02-BLOCK DIAGRAM
- 03-CPU M2-1 HyperTransport
- 04-CPU M2-1 DDR2
- 05-CPU M2-3 Miscellany
- 06-CPU M2-4 Power and Ground
- 07-First Logic DDR2 DIMM
- 08-DDR2 Termination
- 09-C51PVG HT CPU
- 10-C51PVG HT MCP51G
- 11-C51PVG PCI-E
- 12-C51PVG DAC/VGA CONN
- 13-C51PVG P/G
- 14-MCP51G HT C51PVG
- 15-MCP51G PCI
- 16-MCP51G SATA/IDE/CONN
- 17-MCP51G AUDIO/USB/MISC
- 18-MCP51G GMII
- 19-MCP51G P/G
- 20-PCI-E*16
- 21-PCI 1&2
- 22-PCI-E*1&CNR
- 23-LPC SIO-ITE8716F/FDD
- 24-LPT / COM / PS2
- 25-USB
- 26-PWR CONN. / FNT PNL
- 27-CPU VCORE
- 28-DC-DC
- 29-ALC888
- 30-ALC888 CONN.
- 31-RTL8100C
- 32-1394 VT6308


	<i>Signature</i>	<i>Date</i>
--	------------------	-------------

<i>Designer</i>	Eli Yang	04/10/2006
-----------------	-----------------	------------

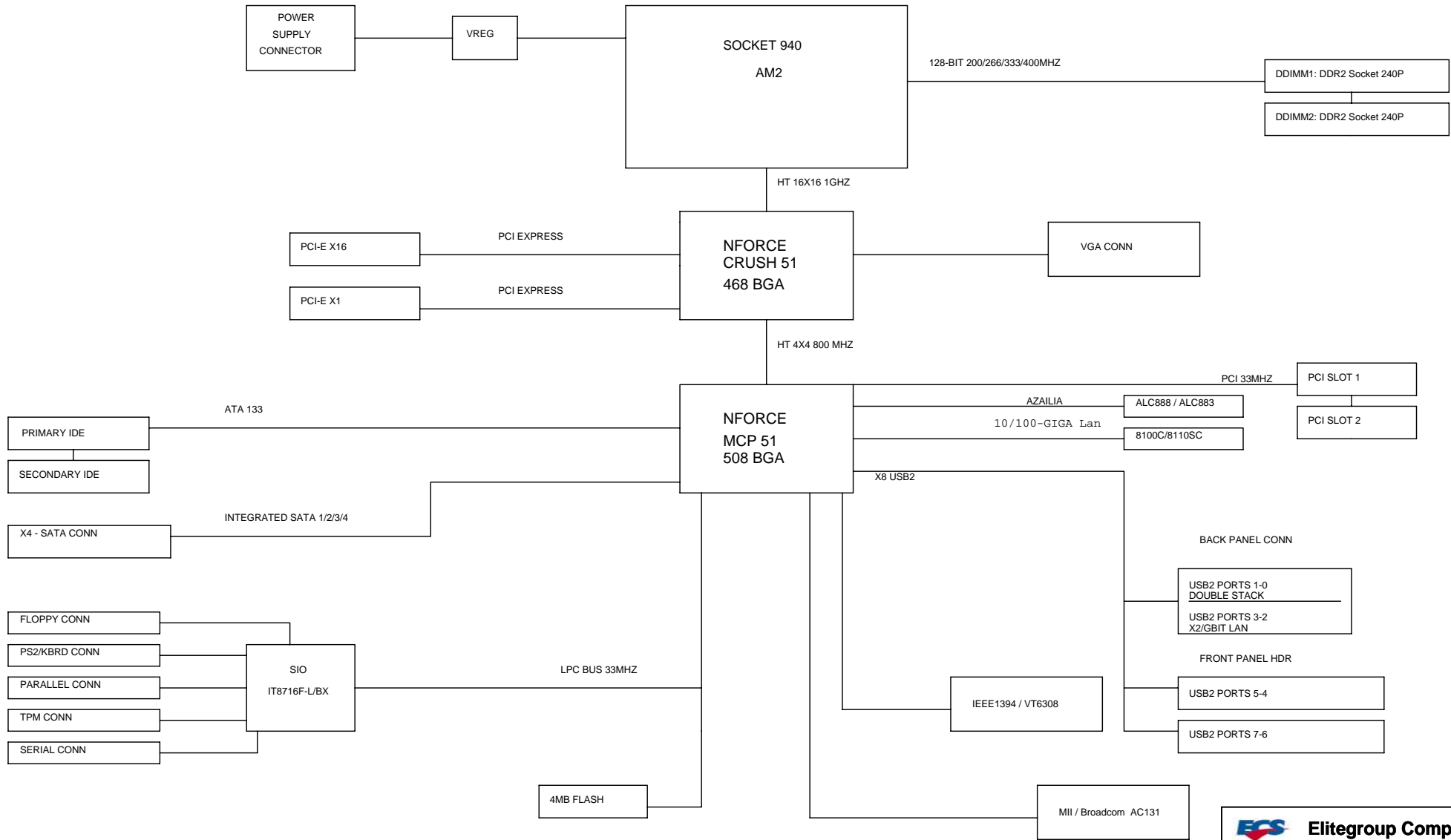
<i>Layout</i>	Cherry/Huntion	
---------------	----------------	--


<i>Check</i>	Tommy	
--------------	-------	--

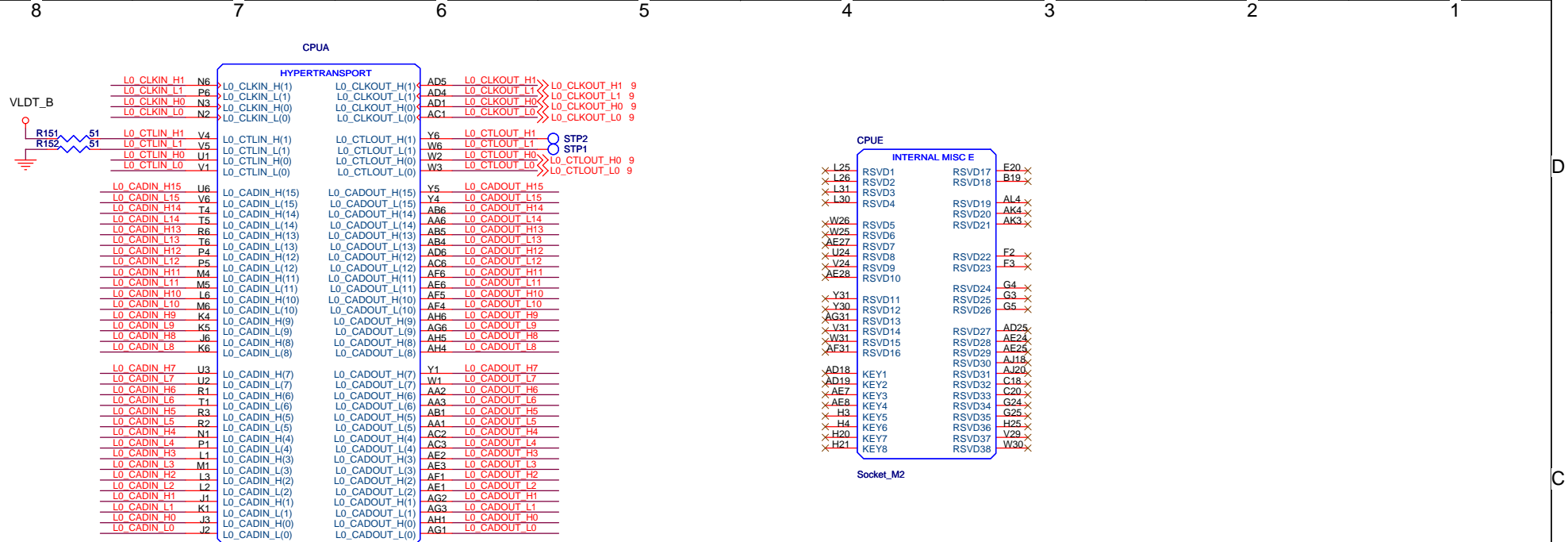
<i>Approval</i>		
-----------------	--	--

 Elitegroup Computer Systems		
Title COVER PAGE		
Size B	Document Number C51PVGM-M	Rev 1.1
Date: Thursday, October 05, 2006	Sheet 1	of 32

BLOCK DIAGRAM



		Elitegroup Computer Systems	
Title BLOCK DIAGRAM			
Size B	Document Number		Rev 1.1
COVER PAGE			
Date:	Thursday, October 05, 2006	Sheet	2 of 32



L0_CLKIN_H1 >>> L0_CLKIN_H1 9
 L0_CLKIN_L1 >>> L0_CLKIN_L1 9
 L0_CLKIN_H0 >>> L0_CLKIN_H0 9
 L0_CLKIN_L0 >>> L0_CLKIN_L0 9
 L0_CTLIN_H0 >>> L0_CTLIN_H0 9
 L0_CTLIN_L0 >>> L0_CTLIN_L0 9

L0_CADIN_L[0..15] <<< L0_CADIN_L[0..15] 9
 L0_CADIN_H[0..15] <<< L0_CADIN_H[0..15] 9
 L0_CADOUT_H[0..15] >>> L0_CADOUT_H[0..15] 9
 L0_CADOUT_L[0..15] >>> L0_CADOUT_L[0..15] 9

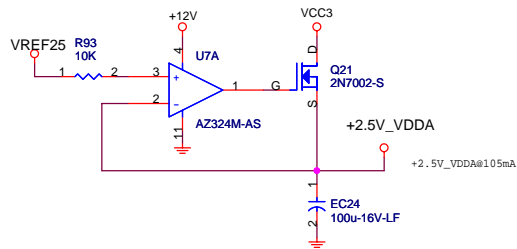
7.8 MA0_CLK_H[2..0] << MA0_CLK_H[2..0]
 7.8 MA0_CLK_L[2..0] << MA0_CLK_L[2..0]
 7.8 MA0_CS_L[1..0] << MA0_CS_L[1..0]
 7.8 MA0_ODT0 << MA0_ODT0
 7.8 MA_CAS_L << MA_CAS_L
 7.8 MA_WE_L << MA_WE_L
 7.8 MA_RAS_L << MA_RAS_L
 7.8 MA_BANK[2..0] << MA_BANK[2..0]
 7.8 MA_CKE0 << MA_CKE0
 7.8 MA_ADD[15..0] << MA_ADD[15..0]
 7 MA_DQS_H[8..0] << MA_DQS_H[8..0]
 7 MA_DQS_L[8..0] << MA_DQS_L[8..0]
 7 MA_DM[8..0] << MA_DM[8..0]
 7 MA_DATA[63..0] << MA_DATA[63..0]
 7 MA_CHECK[7..0] << MA_CHECK[7..0]
 7.8 MB0_CLK_H[2..0] << MB0_CLK_H[2..0]
 7.8 MB0_CLK_L[2..0] << MB0_CLK_L[2..0]
 7.8 MB0_CS_L[1..0] << MB0_CS_L[1..0]
 7.8 MB0_ODT0 << MB0_ODT0
 7.8 MB_CAS_L << MB_CAS_L
 7.8 MB_WE_L << MB_WE_L
 7.8 MB_RAS_L << MB_RAS_L
 7.8 MB_BANK[2..0] << MB_BANK[2..0]
 7.8 MB_CKE0 << MB_CKE0
 7.8 MB_ADD[15..0] << MB_ADD[15..0]
 7 MB_DQS_H[8..0] << MB_DQS_H[8..0]
 7 MB_DQS_L[8..0] << MB_DQS_L[8..0]
 7 MB_DM[8..0] << MB_DM[8..0]
 7 MB_DATA[63..0] << MB_DATA[63..0]
 7 MB_CHECK[7..0] << MB_CHECK[7..0]

CPUB		MEMORY INTERFACE A	
MA0_CLK_H2	AG21	MA0_CLK_H(2)	MA0_CLK_H(2)
MA0_CLK_L2	AG20	MA0_CLK_L(2)	MA0_CLK_L(2)
MA0_CLK_H1	G19	MA0_CLK_H(1)	MA0_CLK_H(1)
MA0_CLK_L1	H19	MA0_CLK_L(1)	MA0_CLK_L(1)
MA0_CLK_H0	I19	MA0_CLK_H(0)	MA0_CLK_H(0)
MA0_CLK_L0	U26	MA0_CLK_L(0)	MA0_CLK_L(0)
MA0_CS_L1	AC25	MA0_CS_L(1)	MA0_CS_L(1)
MA0_CS_L0	AA24	MA0_CS_L(0)	MA0_CS_L(0)
MA0_ODT0	AC28	MA0_ODT(0)	MA0_ODT(0)
AE20	MA1_CLK_H(2)	MA1_CLK_H(2)	MA1_CLK_H(2)
AE19	MA1_CLK_L(2)	MA1_CLK_L(2)	MA1_CLK_L(2)
G20	MA1_CLK_H(1)	MA1_CLK_H(1)	MA1_CLK_H(1)
G21	MA1_CLK_L(1)	MA1_CLK_L(1)	MA1_CLK_L(1)
V27	MA1_CLK_H(0)	MA1_CLK_H(0)	MA1_CLK_H(0)
W27	MA1_CLK_L(0)	MA1_CLK_L(0)	MA1_CLK_L(0)
AD27	MA1_CS_L(1)	MA1_CS_L(1)	MA1_CS_L(1)
AA25	MA1_CS_L(0)	MA1_CS_L(0)	MA1_CS_L(0)
AC27	MA1_ODT(0)	MA1_ODT(0)	MA1_ODT(0)
MA_CAS_L	AB25	MA_CAS_L	MA_CAS_L
MA_WE_L	AB27	MA_WE_L	MA_WE_L
MA_RAS_L	AA26	MA_RAS_L	MA_RAS_L
MA_BANK2	N25	MA_BANK(2)	MA_BANK(2)
MA_BANK1	Y27	MA_BANK(1)	MA_BANK(1)
MA_BANK0	AA27	MA_BANK(0)	MA_BANK(0)
MA_CKE0	L27	MA_CKE(1)	MA_CKE(1)
M25	M25	MA_CKE(0)	MA_CKE(0)
MA_ADD15	M27	MA_ADD(15)	MA_ADD(15)
MA_ADD14	N24	MA_ADD(14)	MA_ADD(14)
MA_ADD13	AC26	MA_ADD(13)	MA_ADD(13)
MA_ADD12	N26	MA_ADD(12)	MA_ADD(12)
MA_ADD11	P25	MA_ADD(11)	MA_ADD(11)
MA_ADD10	Y25	MA_ADD(10)	MA_ADD(10)
MA_ADD9	N27	MA_ADD(9)	MA_ADD(9)
MA_ADD8	R24	MA_ADD(8)	MA_ADD(8)
MA_ADD7	P27	MA_ADD(7)	MA_ADD(7)
MA_ADD6	R25	MA_ADD(6)	MA_ADD(6)
MA_ADD5	R26	MA_ADD(5)	MA_ADD(5)
MA_ADD4	R27	MA_ADD(4)	MA_ADD(4)
MA_ADD3	T25	MA_ADD(3)	MA_ADD(3)
MA_ADD2	U25	MA_ADD(2)	MA_ADD(2)
MA_ADD1	T27	MA_ADD(1)	MA_ADD(1)
MA_ADD0	W24	MA_ADD(0)	MA_ADD(0)
MA_DQS_H7	AD15	MA_DQS_H(7)	MA_DQS_H(7)
MA_DQS_L7	AE15	MA_DQS_L(7)	MA_DQS_L(7)
MA_DQS_H6	AG18	MA_DQS_H(6)	MA_DQS_H(6)
MA_DQS_L6	AG19	MA_DQS_L(6)	MA_DQS_L(6)
MA_DQS_H5	AG24	MA_DQS_H(5)	MA_DQS_H(5)
MA_DQS_L5	AG25	MA_DQS_L(5)	MA_DQS_L(5)
MA_DQS_H4	AG27	MA_DQS_H(4)	MA_DQS_H(4)
MA_DQS_L4	AG28	MA_DQS_L(4)	MA_DQS_L(4)
MA_DQS_H3	D29	MA_DQS_H(3)	MA_DQS_H(3)
MA_DQS_L3	C29	MA_DQS_L(3)	MA_DQS_L(3)
MA_DQS_H2	C25	MA_DQS_H(2)	MA_DQS_H(2)
MA_DQS_L2	D25	MA_DQS_L(2)	MA_DQS_L(2)
MA_DQS_H1	E19	MA_DQS_H(1)	MA_DQS_H(1)
MA_DQS_L1	F19	MA_DQS_L(1)	MA_DQS_L(1)
MA_DQS_H0	F15	MA_DQS_H(0)	MA_DQS_H(0)
MA_DQS_L0	G15	MA_DQS_L(0)	MA_DQS_L(0)
MA_DM7	AE15	MA_DM(7)	MA_DM(7)
MA_DM6	AE19	MA_DM(6)	MA_DM(6)
MA_DM5	AJ25	MA_DM(5)	MA_DM(5)
MA_DM4	AH29	MA_DM(4)	MA_DM(4)
MA_DM3	B29	MA_DM(3)	MA_DM(3)
MA_DM2	E24	MA_DM(2)	MA_DM(2)
MA_DM1	E18	MA_DM(1)	MA_DM(1)
MA_DM0	H15	MA_DM(0)	MA_DM(0)
MA_DATA63	AE14	MA_DATA(63)	MA_DATA(63)
MA_DATA62	AG14	MA_DATA(62)	MA_DATA(62)
MA_DATA61	AG16	MA_DATA(61)	MA_DATA(61)
MA_DATA60	AD17	MA_DATA(60)	MA_DATA(60)
MA_DATA59	AE13	MA_DATA(59)	MA_DATA(59)
MA_DATA58	AE17	MA_DATA(58)	MA_DATA(58)
MA_DATA57	AG15	MA_DATA(57)	MA_DATA(57)
MA_DATA56	AE16	MA_DATA(56)	MA_DATA(56)
MA_DATA55	AG17	MA_DATA(55)	MA_DATA(55)
MA_DATA54	AE18	MA_DATA(54)	MA_DATA(54)
MA_DATA53	AG21	MA_DATA(53)	MA_DATA(53)
MA_DATA52	AG22	MA_DATA(52)	MA_DATA(52)
MA_DATA51	AE17	MA_DATA(51)	MA_DATA(51)
MA_DATA50	AE17	MA_DATA(50)	MA_DATA(50)
MA_DATA49	AE21	MA_DATA(49)	MA_DATA(49)
MA_DATA48	AE21	MA_DATA(48)	MA_DATA(48)
MA_DATA47	AE23	MA_DATA(47)	MA_DATA(47)
MA_DATA46	AE23	MA_DATA(46)	MA_DATA(46)
MA_DATA45	AJ26	MA_DATA(45)	MA_DATA(45)
MA_DATA44	AG26	MA_DATA(44)	MA_DATA(44)
MA_DATA43	AE22	MA_DATA(43)	MA_DATA(43)
MA_DATA42	AG23	MA_DATA(42)	MA_DATA(42)
MA_DATA41	AH25	MA_DATA(41)	MA_DATA(41)
MA_DATA40	AE25	MA_DATA(40)	MA_DATA(40)
MA_DATA39	AJ28	MA_DATA(39)	MA_DATA(39)
MA_DATA38	AJ29	MA_DATA(38)	MA_DATA(38)
MA_DATA37	AE29	MA_DATA(37)	MA_DATA(37)
MA_DATA36	AE26	MA_DATA(36)	MA_DATA(36)
MA_DATA35	AJ27	MA_DATA(35)	MA_DATA(35)
MA_DATA34	AG29	MA_DATA(34)	MA_DATA(34)
MA_DATA33	AE27	MA_DATA(33)	MA_DATA(33)
MA_DATA32	E29	MA_DATA(32)	MA_DATA(32)
MA_DATA31	E28	MA_DATA(31)	MA_DATA(31)
MA_DATA29	D27	MA_DATA(29)	MA_DATA(29)
MA_DATA28	C27	MA_DATA(28)	MA_DATA(28)
MA_DATA27	G26	MA_DATA(27)	MA_DATA(27)
MA_DATA26	F27	MA_DATA(26)	MA_DATA(26)
MA_DATA25	E27	MA_DATA(25)	MA_DATA(25)
MA_DATA24	F25	MA_DATA(24)	MA_DATA(24)
MA_DATA23	F25	MA_DATA(23)	MA_DATA(23)
MA_DATA22	E25	MA_DATA(22)	MA_DATA(22)
MA_DATA21	D23	MA_DATA(21)	MA_DATA(21)
MA_DATA20	E26	MA_DATA(20)	MA_DATA(20)
MA_DATA19	C26	MA_DATA(19)	MA_DATA(19)
MA_DATA18	G23	MA_DATA(18)	MA_DATA(18)
MA_DATA17	F23	MA_DATA(17)	MA_DATA(17)
MA_DATA16	E22	MA_DATA(16)	MA_DATA(16)
MA_DATA15	E21	MA_DATA(15)	MA_DATA(15)
MA_DATA14	F17	MA_DATA(14)	MA_DATA(14)
MA_DATA13	G17	MA_DATA(13)	MA_DATA(13)
MA_DATA12	G22	MA_DATA(12)	MA_DATA(12)
MA_DATA11	F21	MA_DATA(11)	MA_DATA(11)
MA_DATA10	G18	MA_DATA(10)	MA_DATA(10)
MA_DATA9	E17	MA_DATA(9)	MA_DATA(9)
MA_DATA8	G16	MA_DATA(8)	MA_DATA(8)
MA_DATA7	F15	MA_DATA(7)	MA_DATA(7)
MA_DATA6	G13	MA_DATA(6)	MA_DATA(6)
MA_DATA5	H13	MA_DATA(5)	MA_DATA(5)
MA_DATA4	H17	MA_DATA(4)	MA_DATA(4)
MA_DATA3	E16	MA_DATA(3)	MA_DATA(3)
MA_DATA2	E14	MA_DATA(2)	MA_DATA(2)
MA_DATA1	G14	MA_DATA(1)	MA_DATA(1)
MA_DATA0	G14	MA_DATA(0)	MA_DATA(0)
MA_DQS_H8	J28	MA_DQS_H(8)	MA_DQS_H(8)
MA_DQS_L8	J27	MA_DQS_L(8)	MA_DQS_L(8)
MA_DM8	J25	MA_DM(8)	MA_DM(8)
MA_CHECK7	K25	MA_CHECK(7)	MA_CHECK(7)
MA_CHECK6	J26	MA_CHECK(6)	MA_CHECK(6)
MA_CHECK5	G28	MA_CHECK(5)	MA_CHECK(5)
MA_CHECK4	G27	MA_CHECK(4)	MA_CHECK(4)
MA_CHECK3	L24	MA_CHECK(3)	MA_CHECK(3)
MA_CHECK2	K27	MA_CHECK(2)	MA_CHECK(2)
MA_CHECK1	H29	MA_CHECK(1)	MA_CHECK(1)
MA_CHECK0	H27	MA_CHECK(0)	MA_CHECK(0)

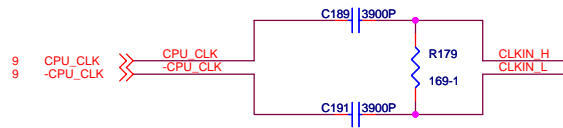
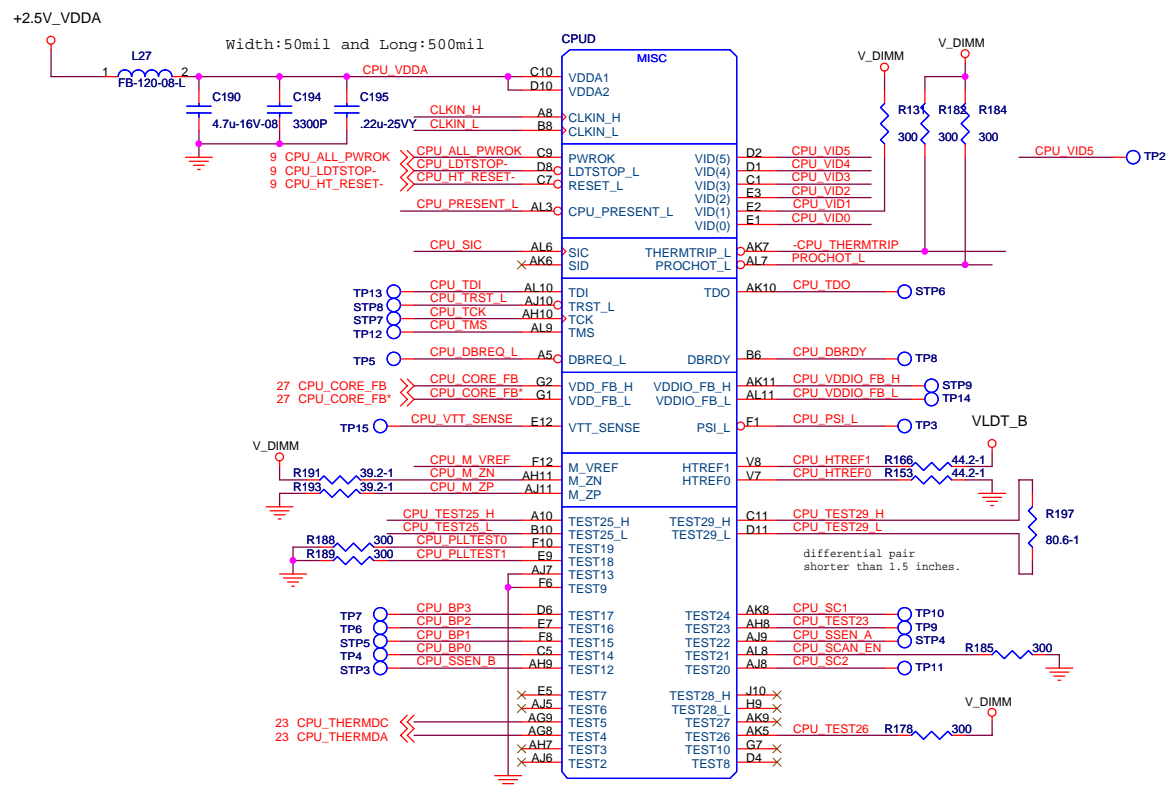
Socket_M2

CPUC		MEMORY INTERFACE B	
MB0_CLK_H2	AJ19	MB0_CLK_H(2)	MB0_CLK_H(2)
MB0_CLK_L2	AK19	MB0_CLK_L(2)	MB0_CLK_L(2)
MB0_CLK_H1	A18	MB0_CLK_H(1)	MB0_CLK_H(1)
MB0_CLK_L1	U30	MB0_CLK_L(1)	MB0_CLK_L(1)
MB0_CLK_H0	I30	MB0_CLK_H(0)	MB0_CLK_H(0)
MB0_CLK_L0	U30	MB0_CLK_L(0)	MB0_CLK_L(0)
MB0_CS_L1	AE30	MB0_CS_L(1)	MB0_CS_L(1)
MB0_CS_L0	AC31	MB0_CS_L(0)	MB0_CS_L(0)
MB0_ODT0	AD29	MB0_ODT(0)	MB0_ODT(0)
MB1_CLK_H(2)	AL19	MB1_CLK_H(2)	MB1_CLK_H(2)
MB1_CLK_L(2)	AL18	MB1_CLK_L(2)	MB1_CLK_L(2)
MB1_CLK_H(1)	C19	MB1_CLK_H(1)	MB1_CLK_H(1)
MB1_CLK_L(1)	D19	MB1_CLK_L(1)	MB1_CLK_L(1)
MB1_CLK_H(0)	W29	MB1_CLK_H(0)	MB1_CLK_H(0)
MB1_CLK_L(0)	W28	MB1_CLK_L(0)	MB1_CLK_L(0)
MB1_CS_L(1)	AE29	MB1_CS_L(1)	MB1_CS_L(1)
MB1_CS_L(0)	AB31	MB1_CS_L(0)	MB1_CS_L(0)
MB1_ODT(0)	AD31	MB1_ODT(0)	MB1_ODT(0)
MB_CAS_L	AC29	MB_CAS_L	MB_CAS_L
MB_WE_L	AC30	MB_WE_L	MB_WE_L
MB_RAS_L	AB29	MB_RAS_L	MB_RAS_L
MB_BANK2	N31	MB_BANK(2)	MB_BANK(2)
MB_BANK1	AA31	MB_BANK(1)	MB_BANK(1)
MB_BANK0	AA28	MB_BANK(0)	MB_BANK(0)
MB_CKE0	M31	MB_CKE(1)	MB_CKE(1)
M29	M29	MB_CKE(0)	MB_CKE(0)
MB_ADD15	N28	MB_ADD(15)	MB_ADD(15)
MB_ADD14	N29	MB_ADD(14)	MB_ADD(14)
MB_ADD13	AE31	MB_ADD(13)	MB_ADD(13)
MB_ADD12	N30	MB_ADD(12)	MB_ADD(12)
MB_ADD11	P29	MB_ADD(11)	MB_ADD(11)
MB_ADD10	AA29	MB_ADD(10)	MB_ADD(10)
MB_ADD9	P31	MB_ADD(9)	MB_ADD(9)
MB_ADD8	R29	MB_ADD(8)	MB_ADD(8)
MB_ADD7	R28	MB_ADD(7)	MB_ADD(7)
MB_ADD6	R31	MB_ADD(6)	MB_ADD(6)
MB_ADD5	R30	MB_ADD(5)	MB_ADD(5)
MB_ADD4	T31	MB_ADD(4)	MB_ADD(4)
MB_ADD3	T29	MB_ADD(3)	MB_ADD(3)
MB_ADD2	U29	MB_ADD(2)	MB_ADD(2)
MB_ADD1	U28	MB_ADD(1)	MB_ADD(1)
MB_ADD0	AA30	MB_ADD(0)	MB_ADD(0)
MB_DQS_H7	AK13	MB_DQS_H(7)	MB_DQS_H(7)
MB_DQS_L7	AJ13	MB_DQS_L(7)	MB_DQS_L(7)
MB_DQS_H6	AK17	MB_DQS_H(6)	MB_DQS_H(6)
MB_DQS_L6	AH17	MB_DQS_L(6)	MB_DQS_L(6)
MB_DQS_H5	AK23	MB_DQS_H(5)	MB_DQS_H(5)
MB_DQS_L5	AL23	MB_DQS_L(5)	MB_DQS_L(5)
MB_DQS_H4	AL28	MB_DQS_H(4)	MB_DQS_H(4)
MB_DQS_L4	AL29	MB_DQS_L(4)	MB_DQS_L(4)
MB_DQS_H3	D31	MB_DQS_H(3)	MB_DQS_H(3)
MB_DQS_L3	C31	MB_DQS_L(3)	MB_DQS_L(3)
MB_DQS_H2	C24	MB_DQS_H(2)	MB_DQS_H(2)
MB_DQS_L2	C23	MB_DQS_L(2)	MB_DQS_L(2)
MB_DQS_H1	D17	MB_DQS_H(1)	MB_DQS_H(1)
MB_DQS_L1	C17	MB_DQS_L(1)	MB_DQS_L(1)
MB_DQS_H0	C14	MB_DQS_H(0)	MB_DQS_H(0)
MB_DQS_L0	C13	MB_DQS_L(0)	MB_DQS_L(0)
MB_DM7	AJ14	MB_DM(7)	MB_DM(7)
MB_DM6	AH17	MB_DM(6)	MB_DM(6)
MB_DM5	AJ23	MB_DM(5)	MB_DM(5)
MB_DM4	AK29	MB_DM(4)	MB_DM(4)
MB_DM3	C30	MB_DM(3)	MB_DM(3)
MB_DM2	A23	MB_DM(2)	MB_DM(2)
MB_DM1	B17	MB_DM(1)	MB_DM(1)
MB_DM0	B13	MB_DM(0)	MB_DM(0)
MB_DATA63	AH13	MB_DATA(63)	MB_DATA(63)
MB_DATA62	AL13	MB_DATA(62)	MB_DATA(62)
MB_DATA61	AL15	MB_DATA(61)	MB_DATA(61)
MB_DATA60	AL15	MB_DATA(60)	MB_DATA(60)
MB_DATA59	AL13	MB_DATA(59)	MB_DATA(59)
MB_DATA58	AG13	MB_DATA(58)	MB_DATA(58)
MB_DATA57	AL14	MB_DATA(57)	MB_DATA(57)
MB_DATA56	AK15	MB_DATA(56)	MB_DATA(56)
MB_DATA55	AL16	MB_DATA(55)	MB_DATA(55)
MB_DATA54	AL17	MB_DATA(54)	MB_DATA(54)
MB_DATA53	AK21	MB_DATA(53)	MB_DATA(53)
MB_DATA52	AL21	MB_DATA(52)	MB_DATA(52)
MB_DATA51	AH15	MB_DATA(51)	MB_DATA(51)
MB_DATA50	AJ16	MB_DATA(50)	MB_DATA(50)
MB_DATA49	AH19	MB_DATA(49)	MB_DATA(49)
MB_DATA48	AL20	MB_DATA(48)	MB_DATA(48)
MB_DATA47	AJ22	MB_DATA(47)	MB_DATA(47)
MB_DATA46	AL22	MB_DATA(46)	MB_DATA(46)
MB_DATA45	AL24	MB_DATA(45)	MB_DATA(45)
MB_DATA44	AK25	MB_DATA(44)	MB_DATA(44)
MB_DATA43	AJ21	MB_DATA(43)	MB_DATA(43)
MB_DATA42	AH21	MB_DATA(42)	MB_DATA(42)
MB_DATA41	AH23	MB_DATA(41)	MB_DATA(41)
MB_DATA40	AJ24	MB_DATA(40)	MB_DATA(40)
MB_DATA39	AL27	MB_DATA(39)	MB_DATA(39)
MB_DATA38	AK27	MB_DATA(38)	MB_DATA(38)
MB_DATA37	AH31	MB_DATA(37)	MB_DATA(37)
MB_DATA36	AG30	MB_DATA(36)	MB_DATA(36)
MB_DATA35	AL25	MB_DATA(35)	MB_DATA(35)
MB_DATA34	AL26	MB_DATA(34)	MB_DATA(34)
MB_DATA33	AJ30	MB_DATA(33)	MB_DATA(33)
MB_DATA32	AJ31	MB_DATA(32)	MB_DATA(32)
MB_DATA31	E31	MB_DATA(31)	MB_DATA(31)
MB_DATA30	E30	MB_DATA(30)	MB_DATA(30)
MB_DATA29	B27	MB_DATA(29)	MB_DATA(29)
MB_DATA28	A27	MB_DATA(28)	MB_DATA(28)
MB_DATA27	F28	MB_DATA(27)	MB_DATA(27)
MB_DATA26	E31	MB_DATA(26)	MB_DATA(26)
MB_DATA25	A29	MB_DATA(25)	MB_DATA(25)
MB_DATA24	A28	MB_DATA(24)	MB_DATA(24)
MB_DATA23	A25	MB_DATA(23)	MB_DATA(23)
MB_DATA22	A24	MB_DATA(22)	MB_DATA(22)
MB_DATA21	C22	MB_DATA(21)	MB_DATA(21)
MB_DATA20	D21	MB_DATA(20)	MB_DATA(20)
MB_DATA19	A26	MB_DATA(19)	MB_DATA(19)
MB_DATA18	B25	MB_DATA(18)	MB_DATA(18)
MB_DATA17	B23	MB_DATA(17)	MB_DATA(17)
MB_DATA16	A22	MB_DATA(16)	MB_DATA(16)
MB_DATA15	B21	MB_DATA(15)	MB_DATA(15)
MB_DATA14	A20	MB_DATA(14)	MB_DATA(14)
MB_DATA13	C18	MB_DATA(13)	MB_DATA(13)
MB_DATA12	D15	MB_DATA(12)	MB_DATA(12)
MB_DATA11	C21	MB_DATA(11)	MB_DATA(11)
MB_DATA10	A21	MB_DATA(10)	MB_DATA(10)
MB_DATA9	A17	MB_DATA(9)	MB_DATA(9)
MB_DATA8	A16	MB_DATA(8)	MB_DATA(8)
MB_DATA7	B15	MB_DATA(7)	MB_DATA(7)
MB_DATA6	A14	MB_DATA(6)	MB_DATA(6)
MB_DATA5	E13	MB_DATA(5)	MB_DATA(5)
MB_DATA4	F13	MB_DATA(4)	MB_DATA(4)
MB_DATA3	C15	MB_DATA(3)	MB_DATA(3)
MB_DATA2	A15	MB_DATA(2)	MB_DATA(2)
MB_DATA1	A13	MB_DATA(1)	MB_DATA(1)
MB_DATA0	D13	MB_DATA(0)	MB_DATA(0)
MB_DQS_H8	J31	MB_DQS_H(8)	MB_DQS_H(8)
MB_DQS_L8	J30	MB_DQS_L(8)	MB_DQS_L(8)
MB_DM8	J29	MB_DM(8)	MB_DM(8)
MB_CHECK7	K29	MB_CHECK(7)	MB_CHECK(7)
MB_CHECK6	K31		

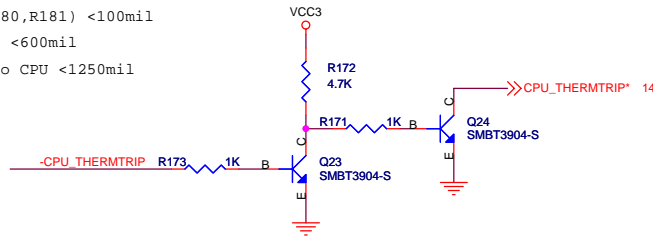
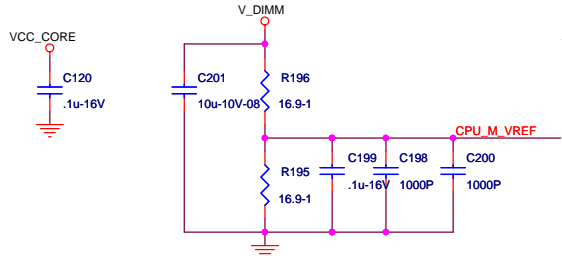
+2.5V_VDDA for CPU PLL



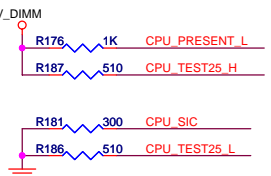
Move 74LV07

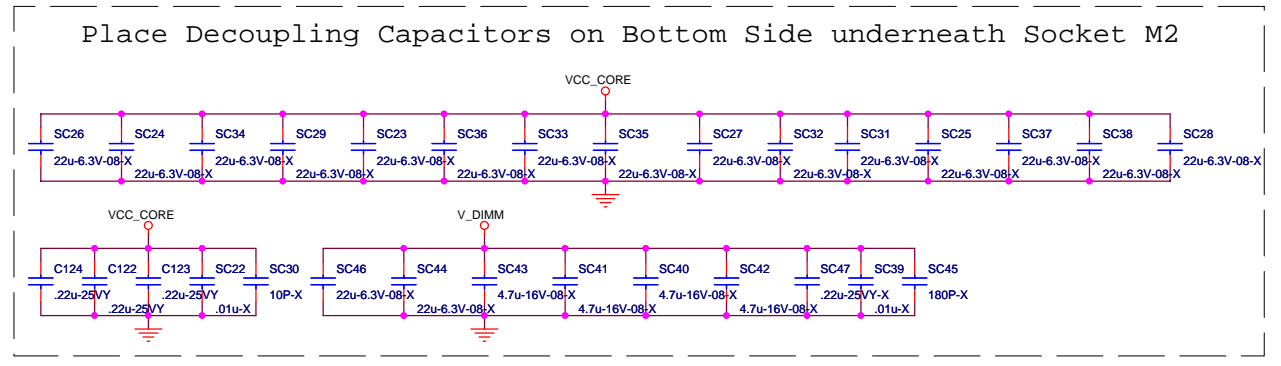
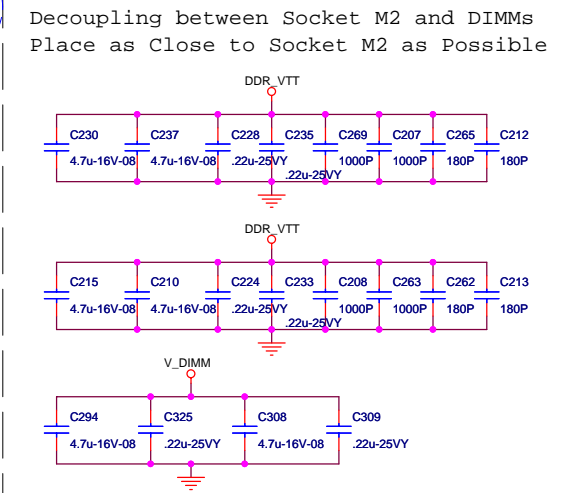
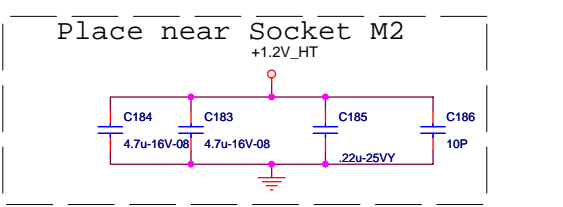
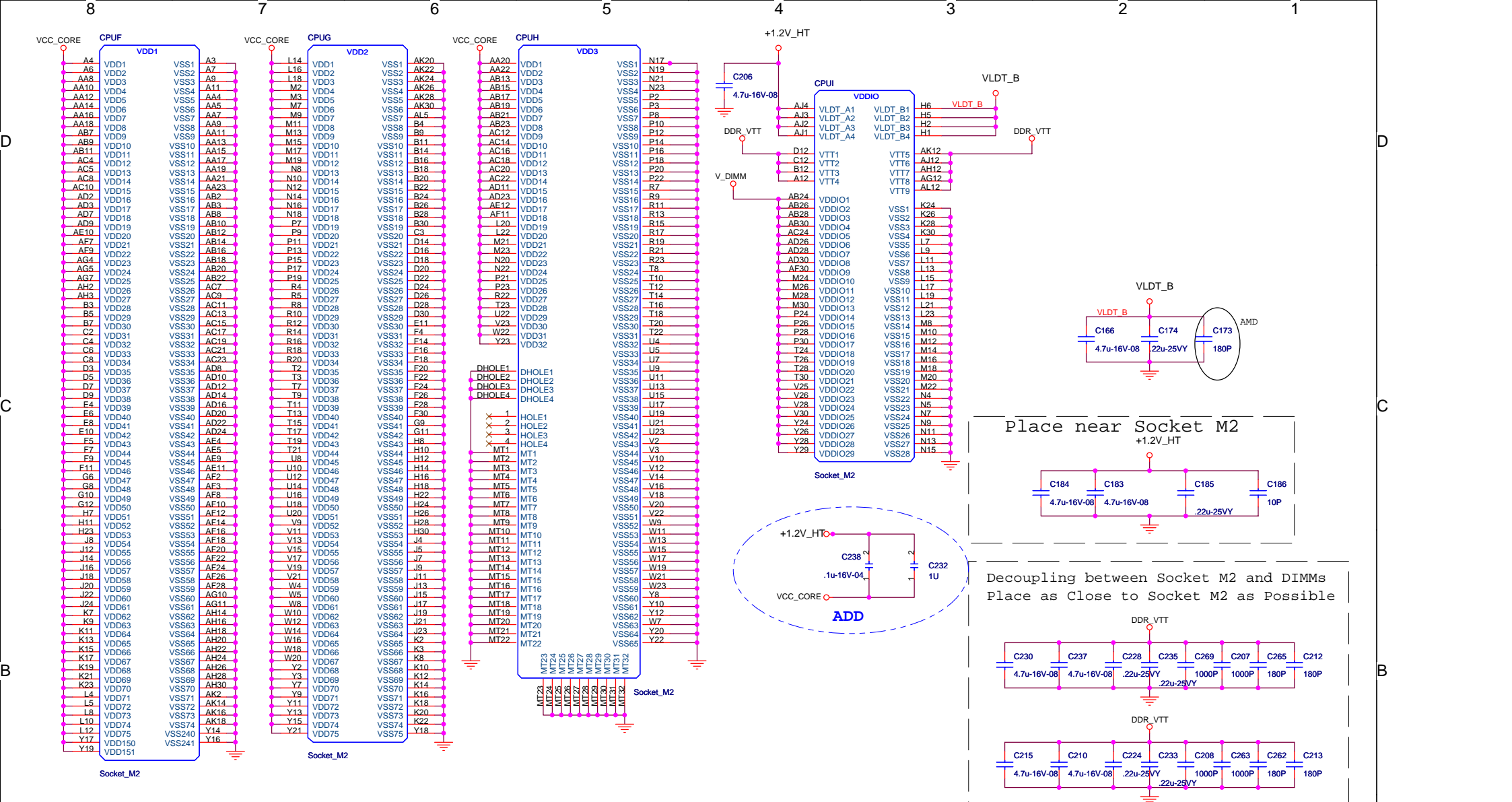


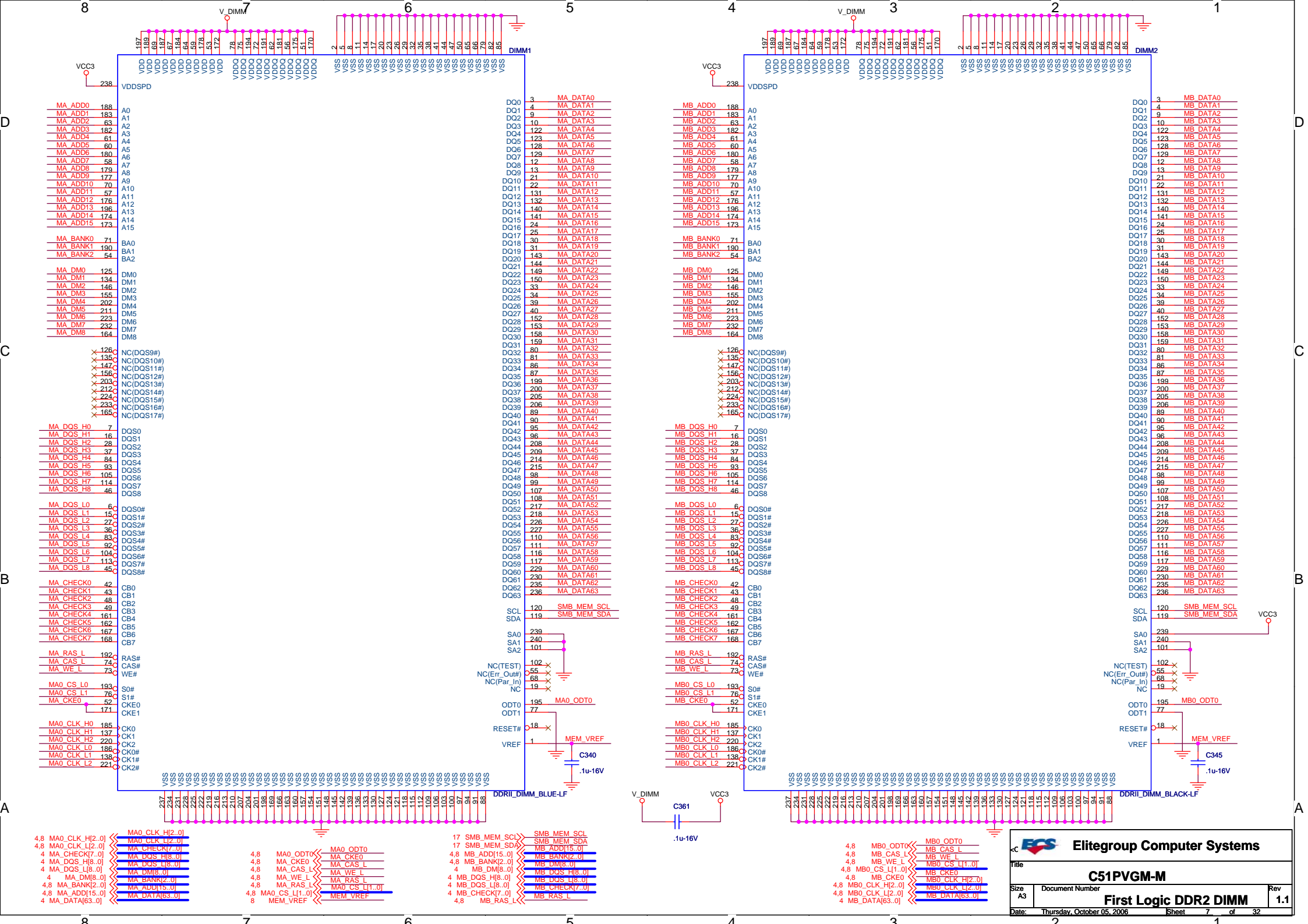
- 1.NB to R180,R181 trace length <0.5"
- 2.R160 to (R180,R181) <100mil
- 3.R222 to CPU <600mil
- 4.C211,C218 to CPU <1250mil



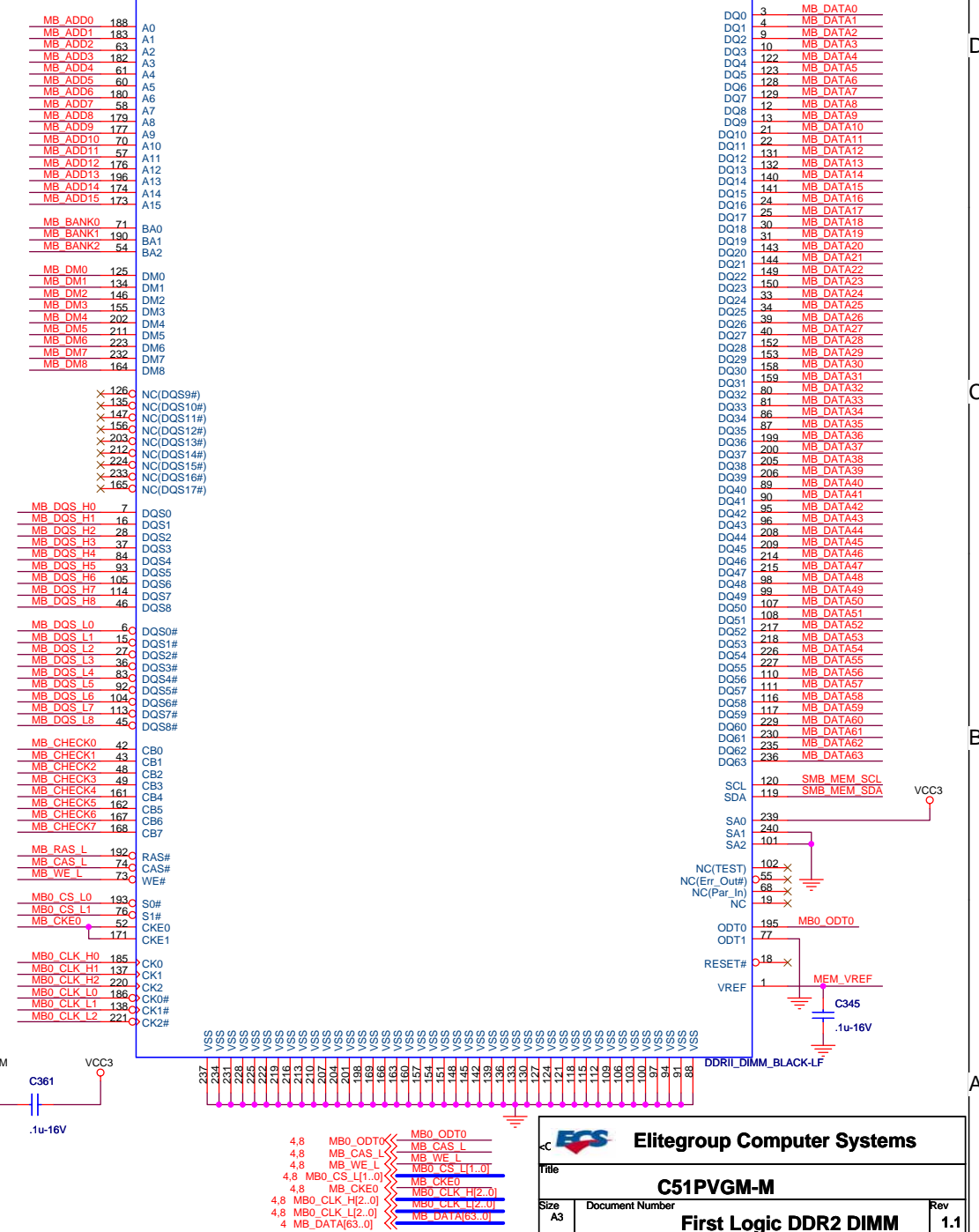
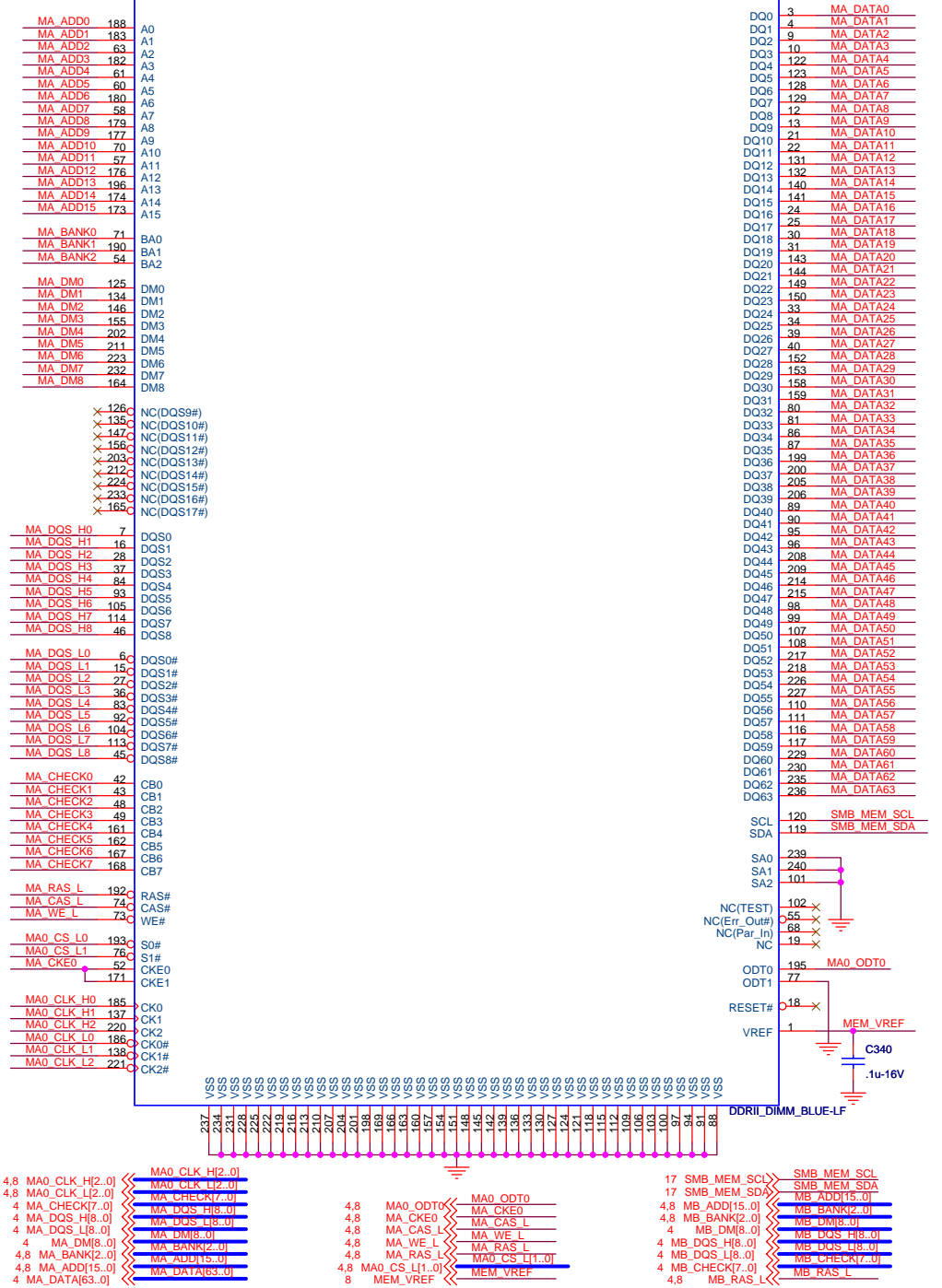
De1 U10

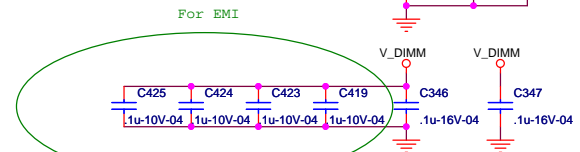
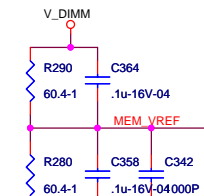
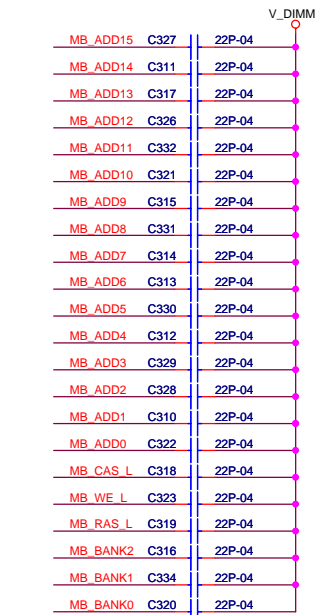
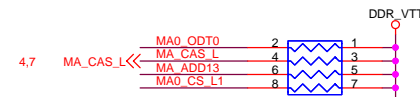
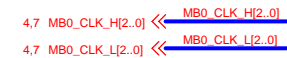
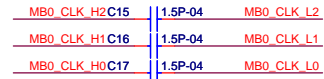
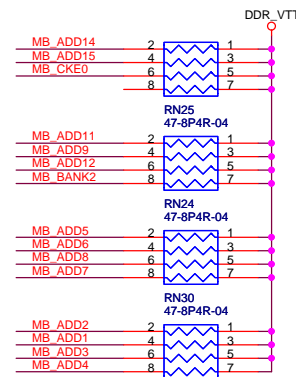
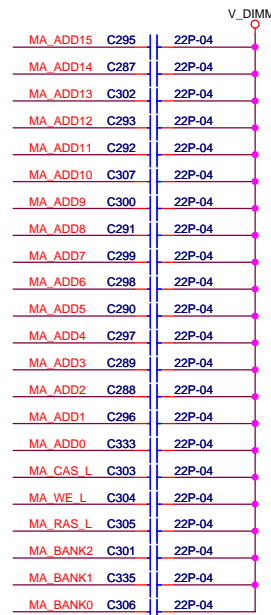
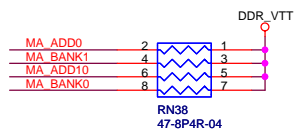
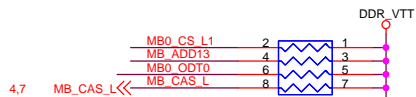
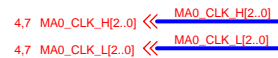
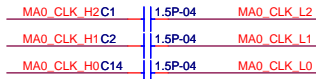
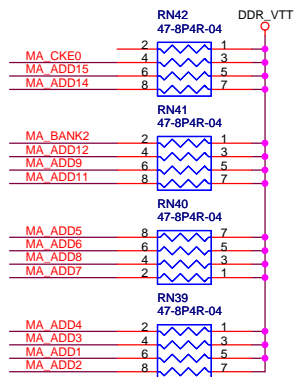




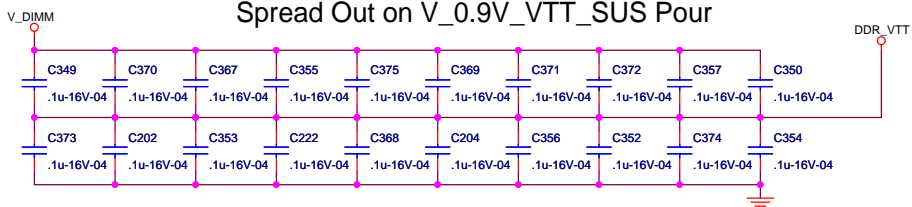


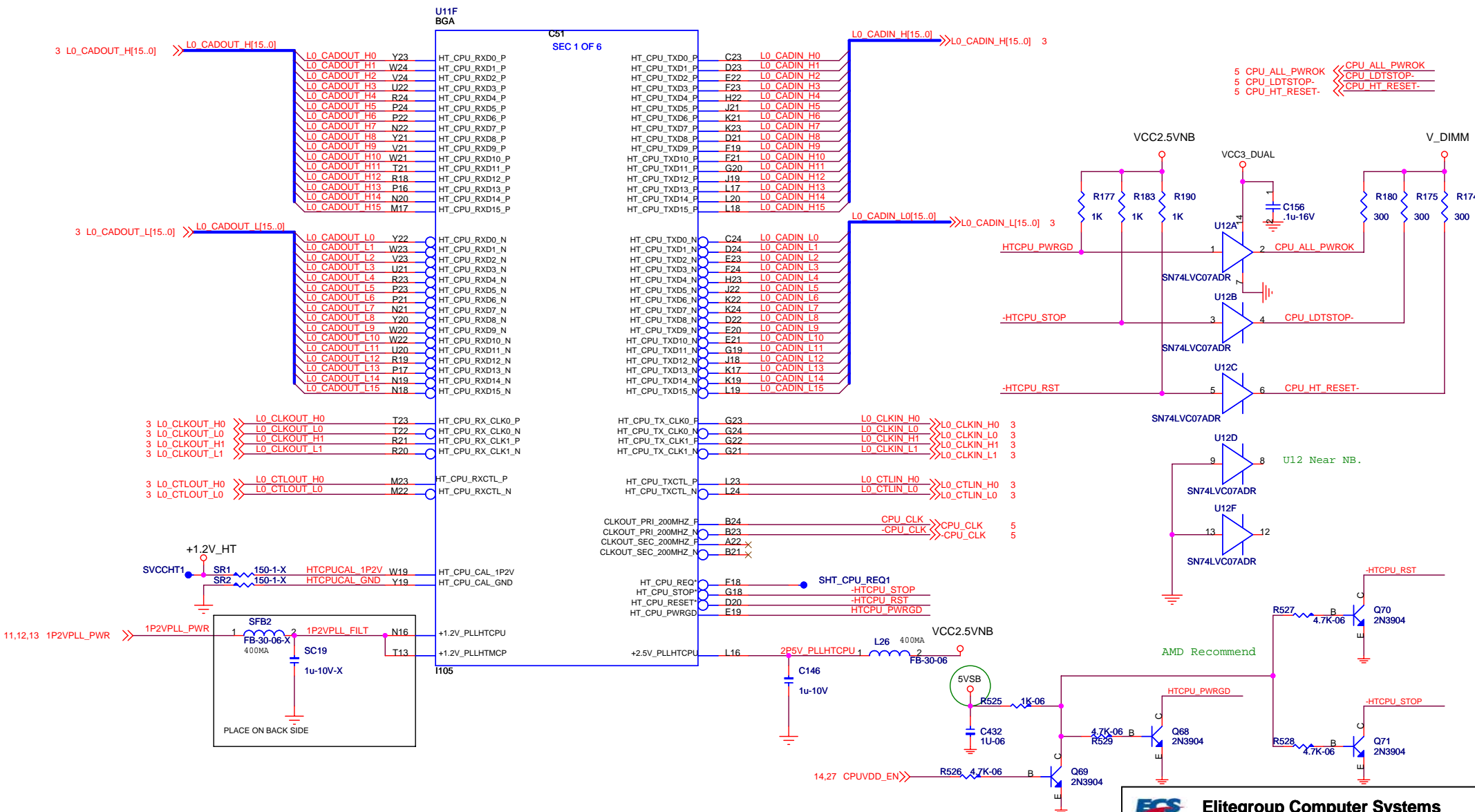
Elitegroup Computer Systems		
C51PVM-M		
Title	Document Number	Rev
	First Logic DDR2 DIMM	1.1
Date:	Thursday, October 05, 2006	Sheet 7 of 32





Spread Out on V_0.9V_VTT_SUS Pour





5 CPU_ALL_PWROK << CPU_ALL_PWROK
 5 CPU_LDTSTOP << CPU_LDTSTOP
 5 CPU_HT_RESET << CPU_HT_RESET

U12 Near NB.

AMD Recommend

14,27 CPUVDD_EN

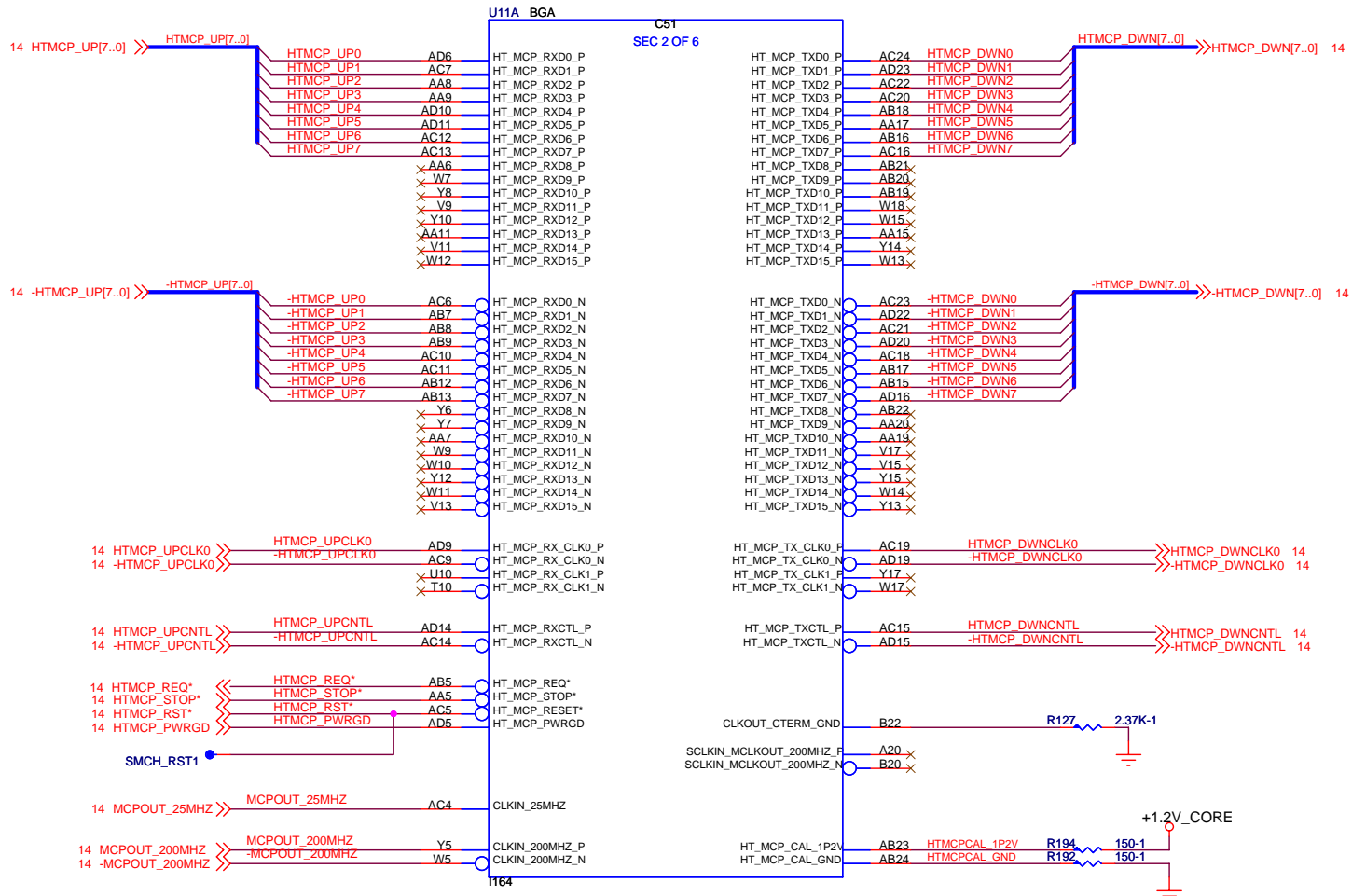
PLACE ON BACK SIDE


ECS Elitegroup Computer Systems

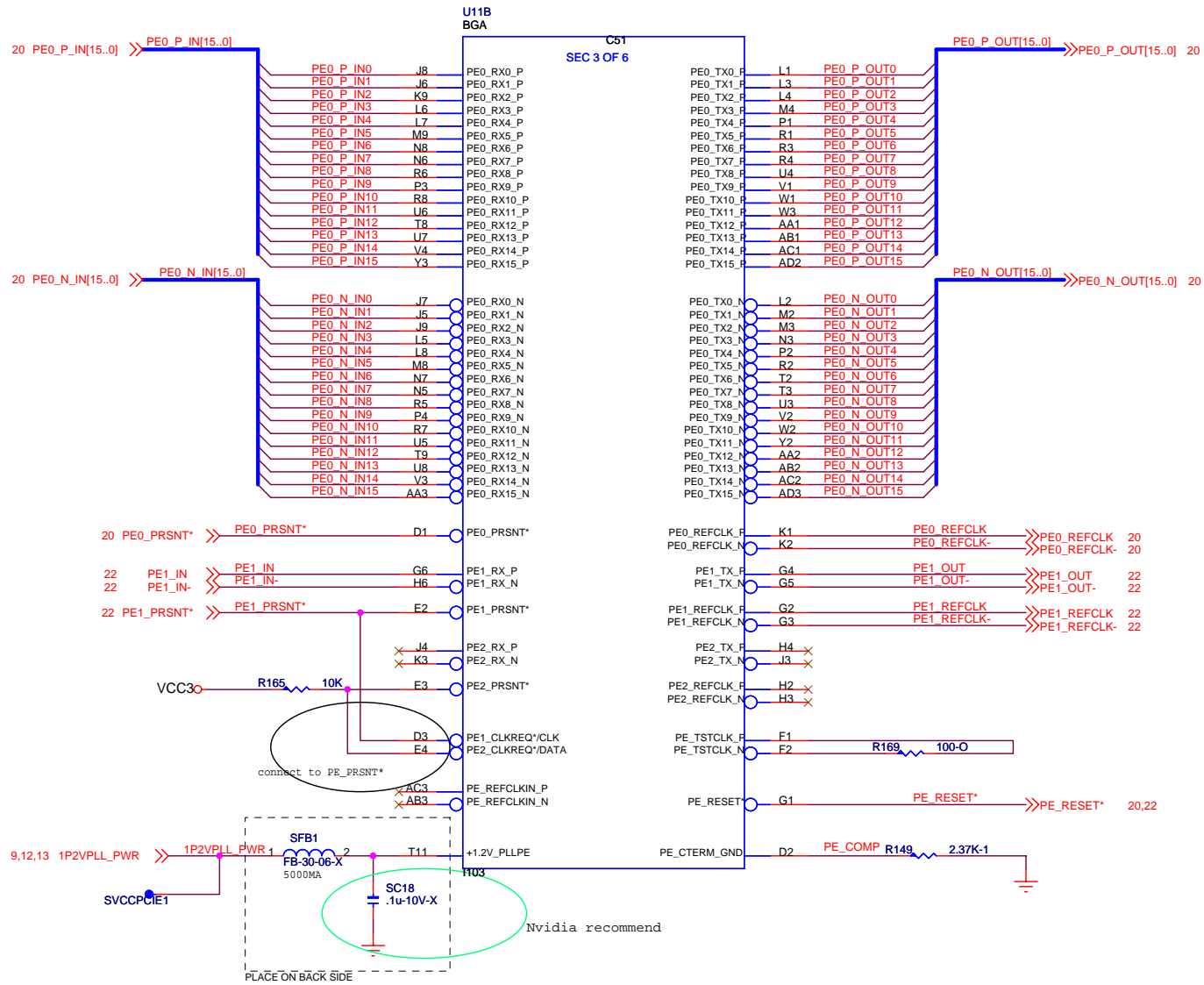
Title: **C51PVG-M**

Size B Document Number: **C51G HT CPU** Rev: **1.1**

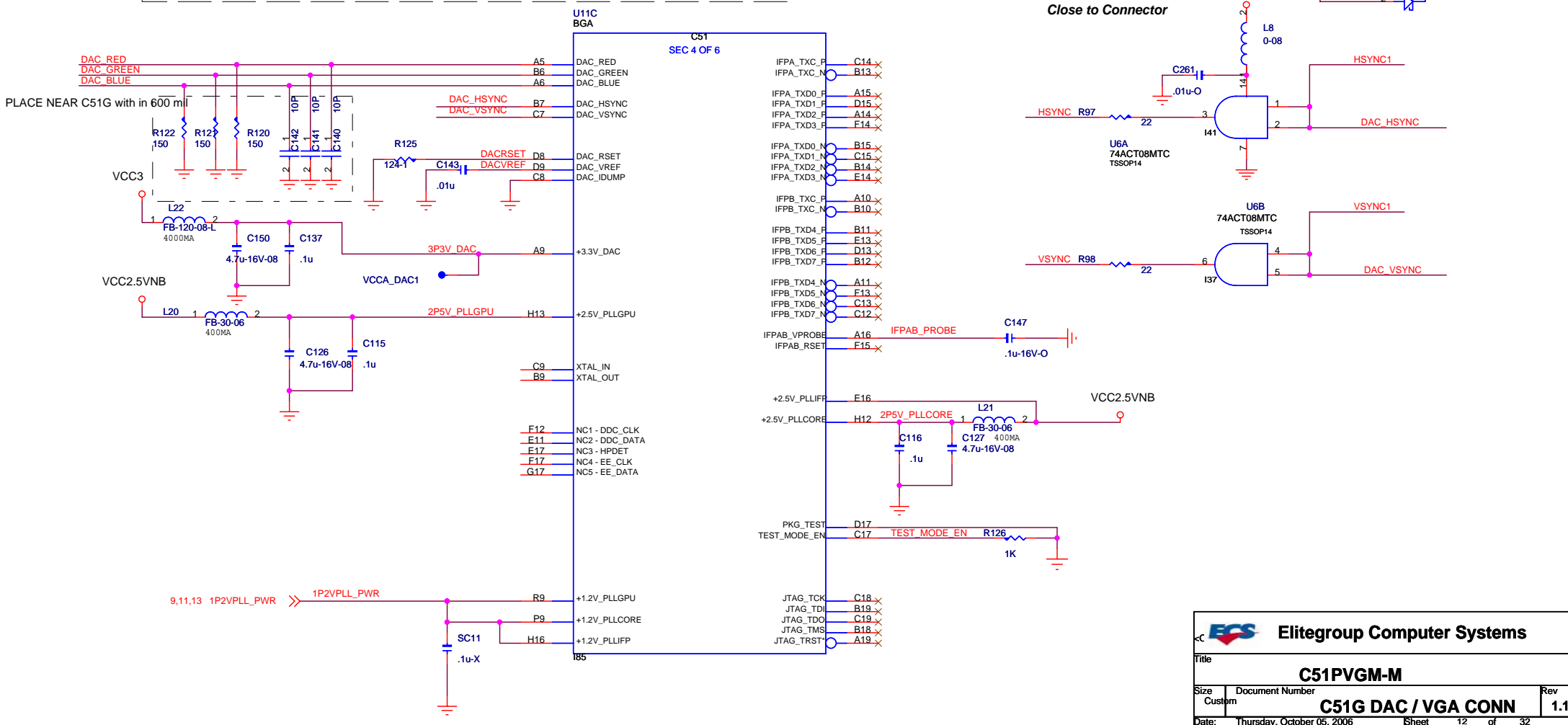
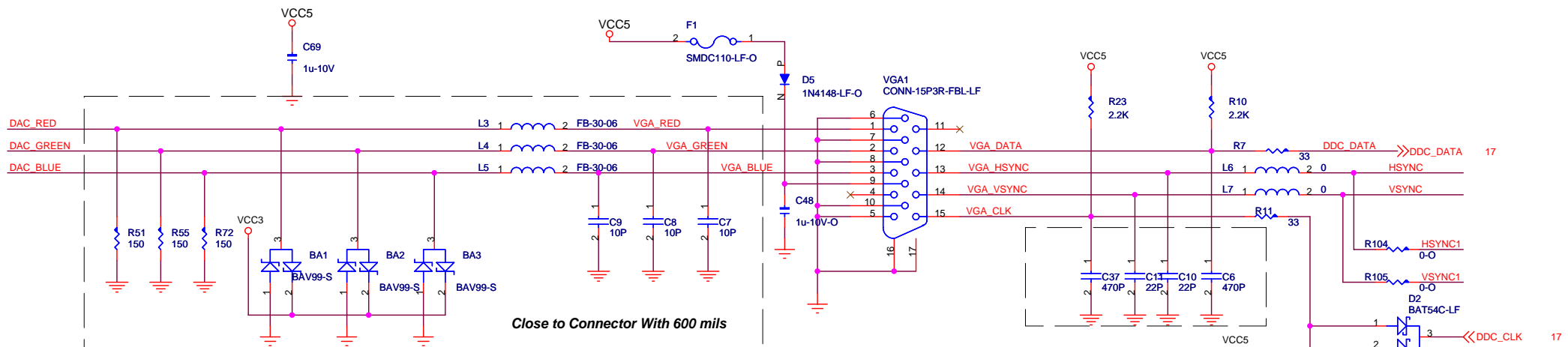
Date: Thursday, October 05, 2006 Sheet 9 of 32

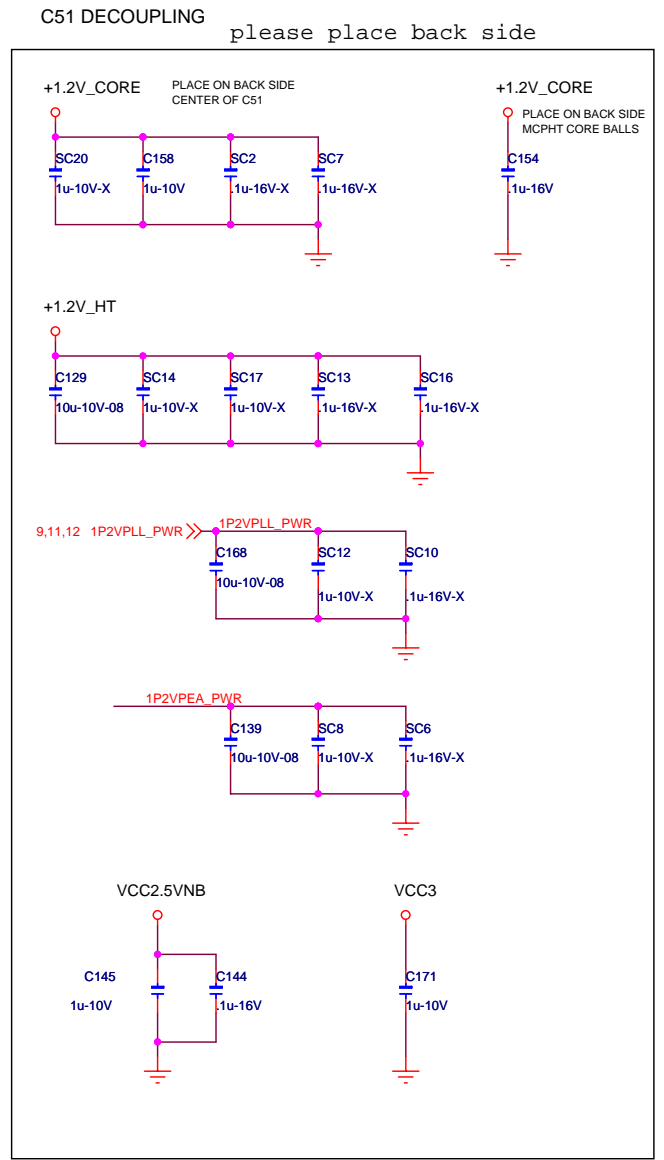
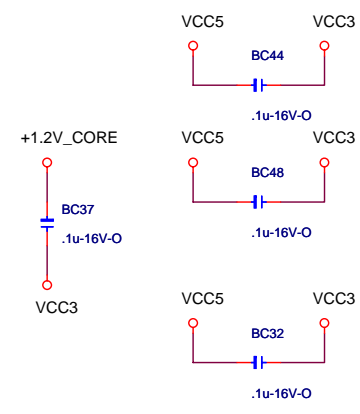
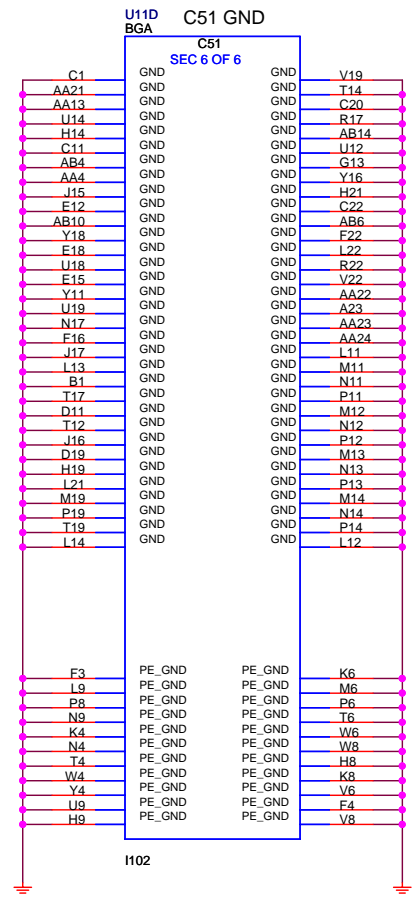
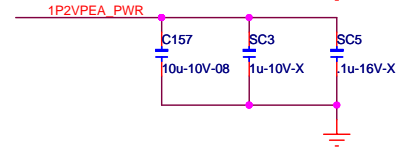
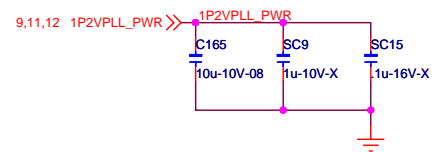
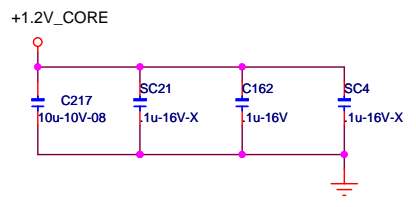
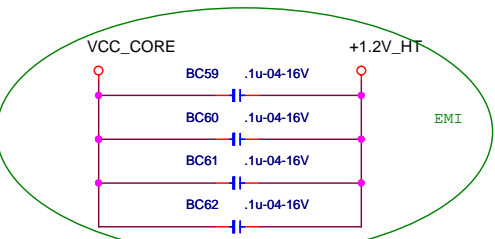
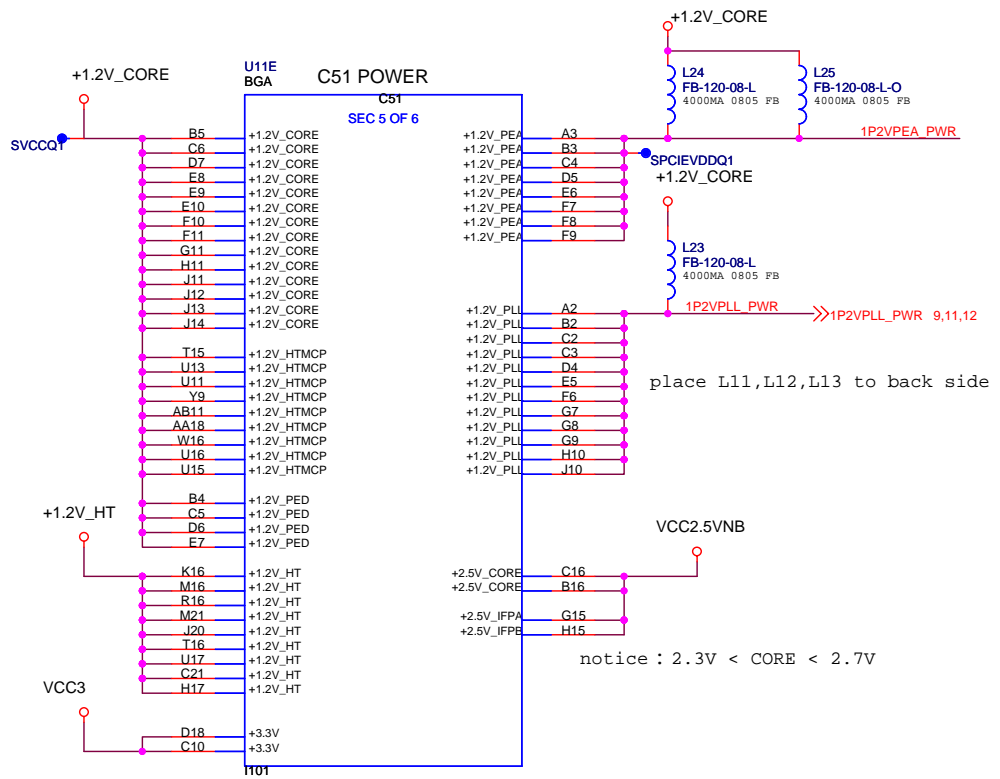


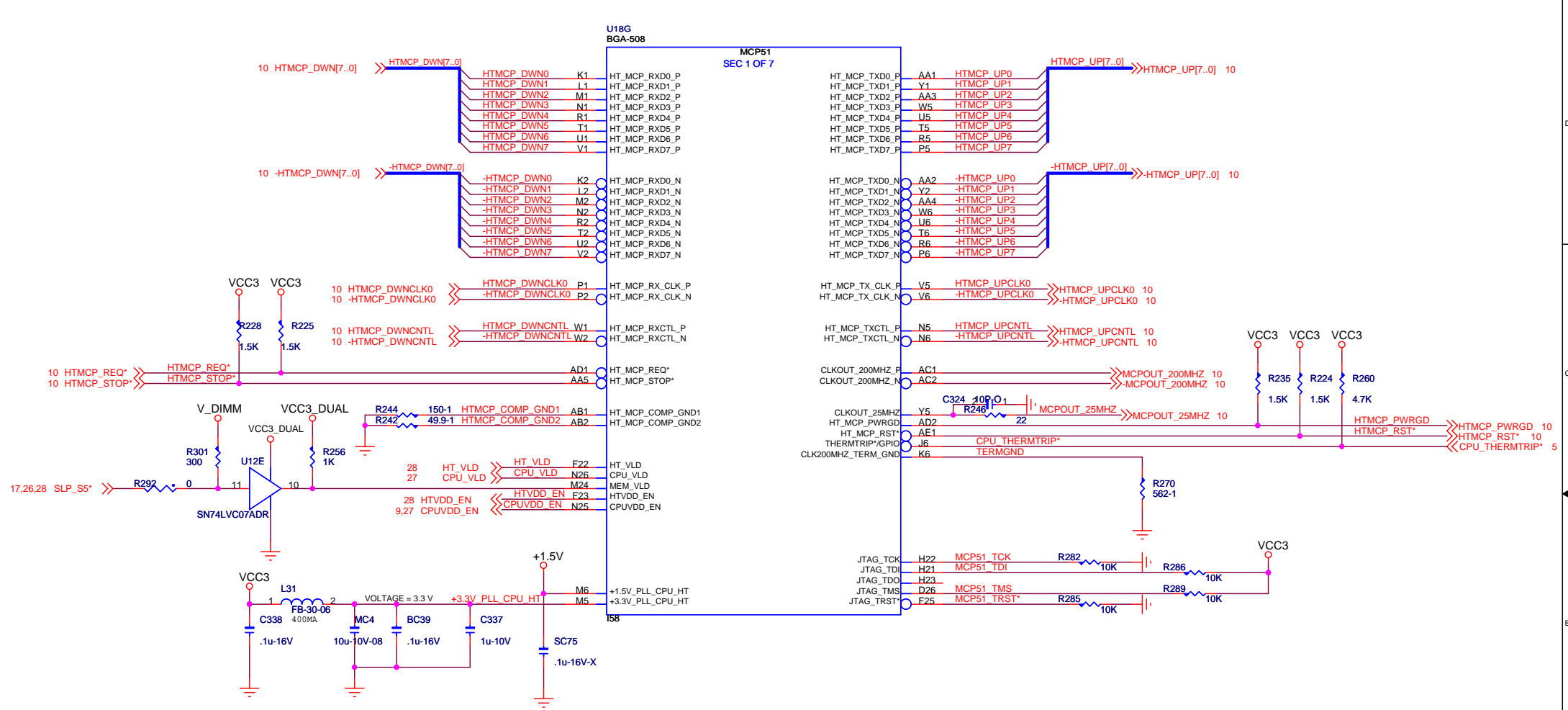
 Elitegroup Computer Systems		
Title C51PVG-M		
Size B	Document Number C51G HT MCP51G	Rev 1.1
Date: Thursday, October 05, 2006 Sheet 10 of 32		




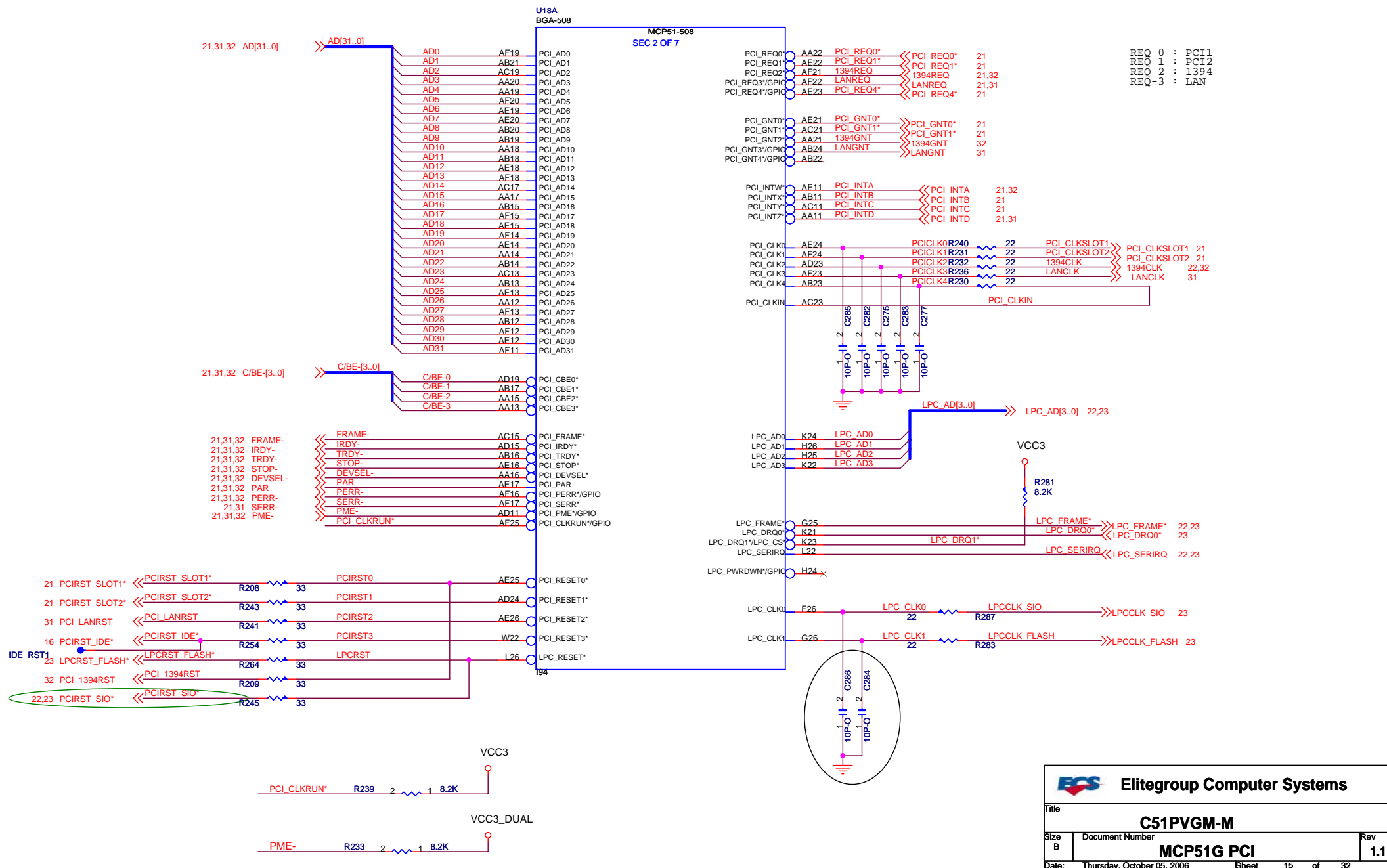
ECS Elitegroup Computer Systems		
Title		
C51PVG-M		
Size	Document Number	Rev
B	C51G PCI-E	1.1
Date: Thursday, October 05, 2006		
Sheet		11 of 32



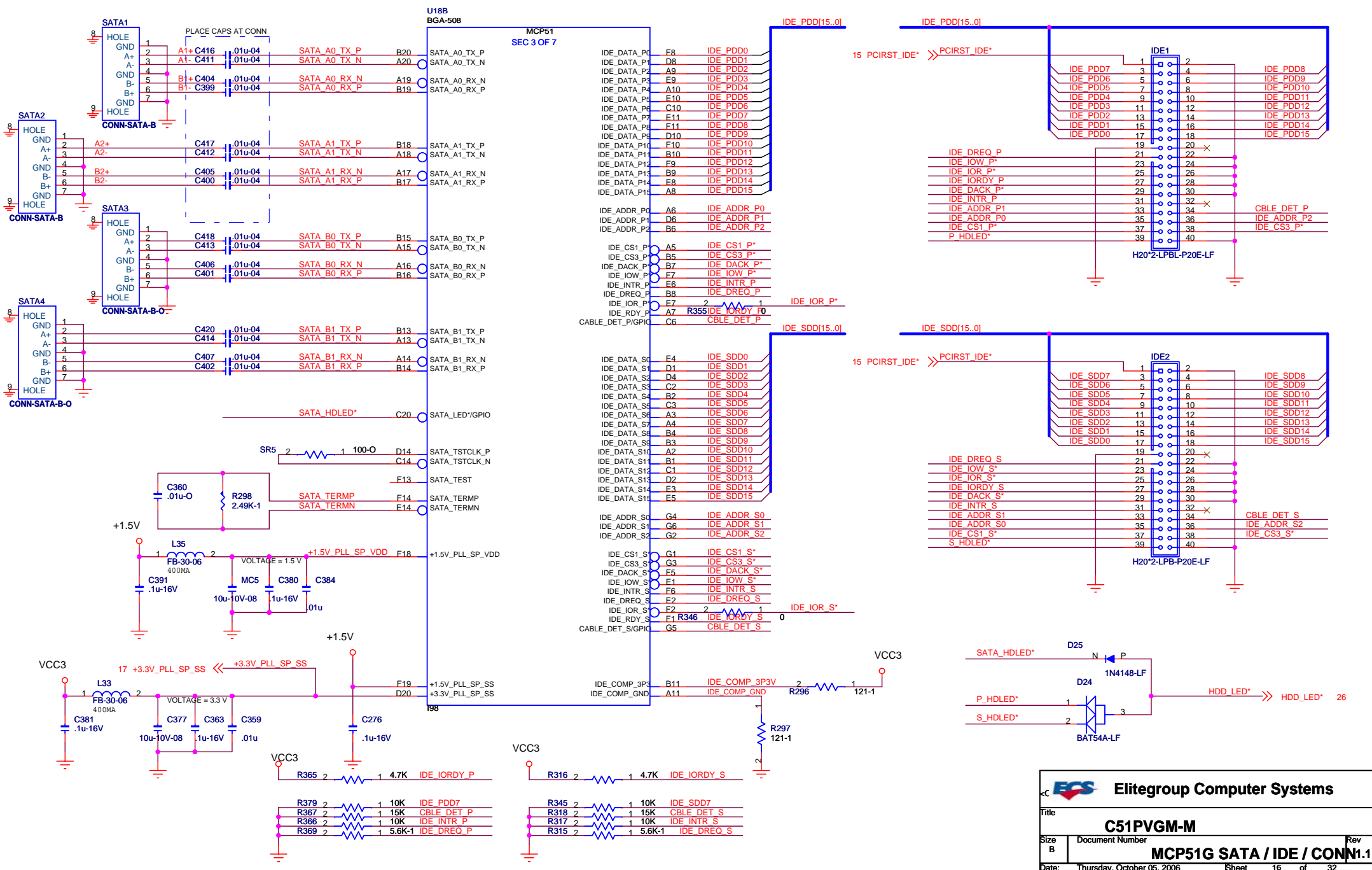




 Elitegroup Computer Systems		
Title		
C51PVG-M		
Size	Document Number	Rev
B	MCP51G HT C51G	1.1
Date:	Thursday, October 05, 2006	Sheet 14 of 32



Elitegroup Computer Systems		
Title		
C51PVG-M		
Size	Document Number	Rev
B	MCP51G PCI	1.1
Date:	Thursday, October 05, 2006	Sheet 15 of 32

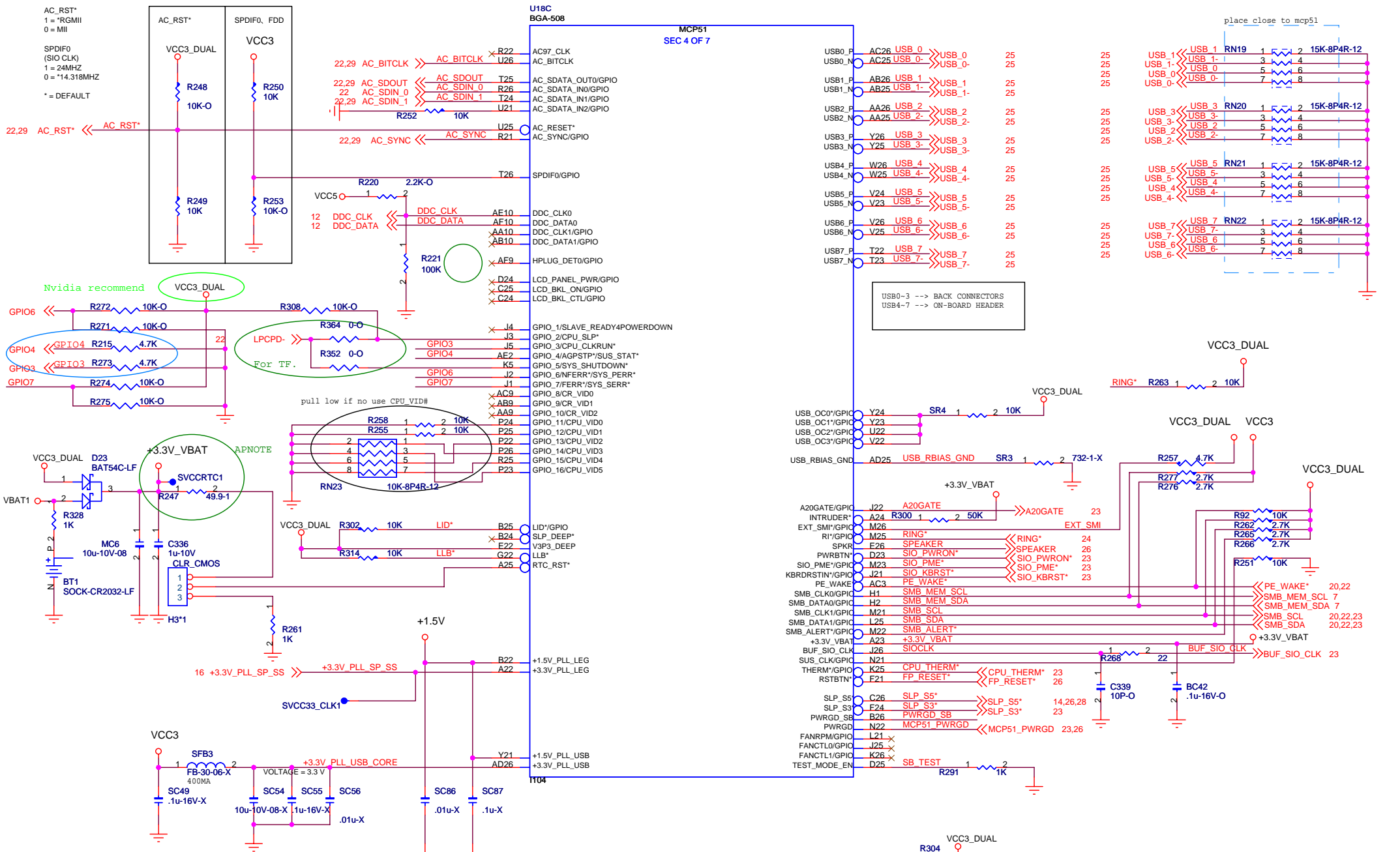


Elitegroup Computer Systems

Title: **C51PVM-M**

Size B Document Number: **MCP51G SATA / IDE / CONN1.1** Rev

Date: Thursday, October 05, 2006 Sheet 16 of 32



USB0-3 --> BACK CONNECTORS
 USB4-7 --> ON-BOARD HEADER

place close to mcp51

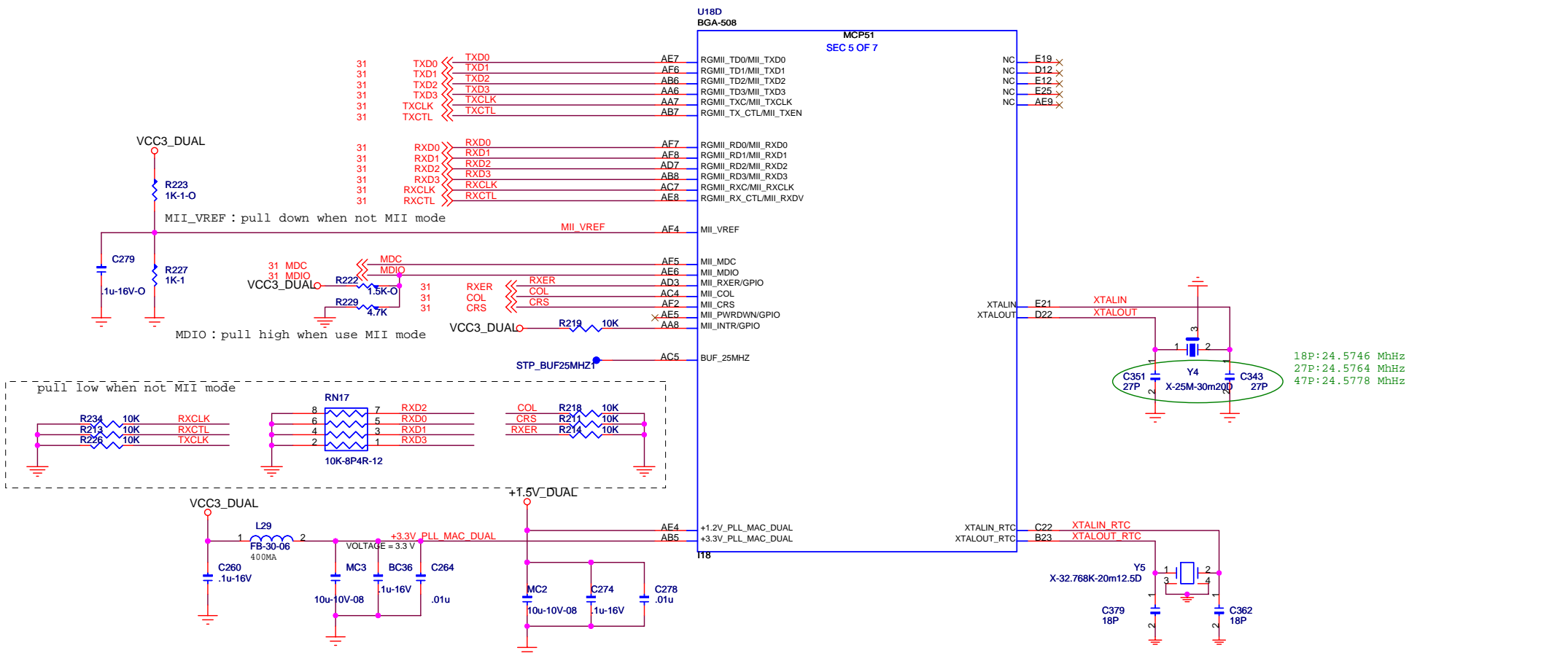
>5VSB 10ms

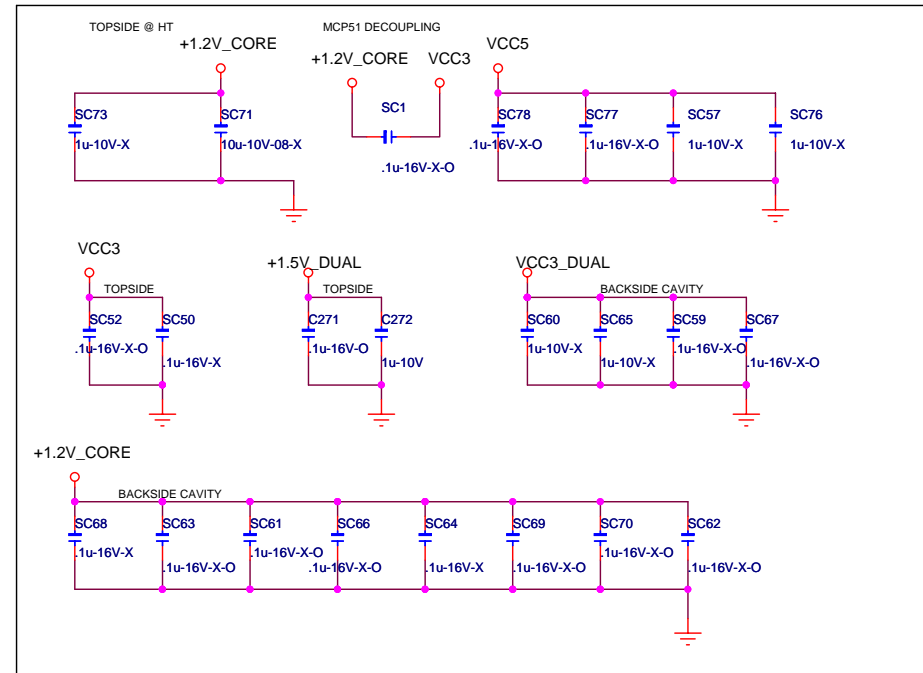
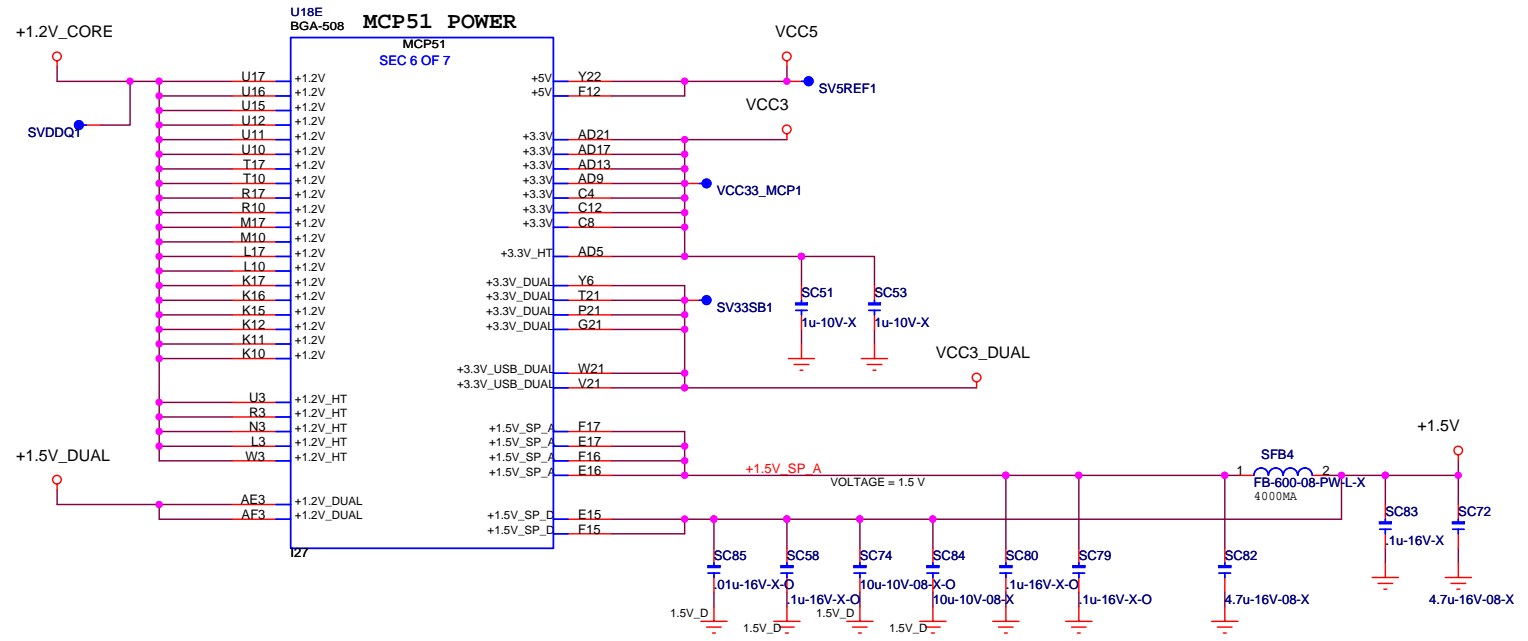
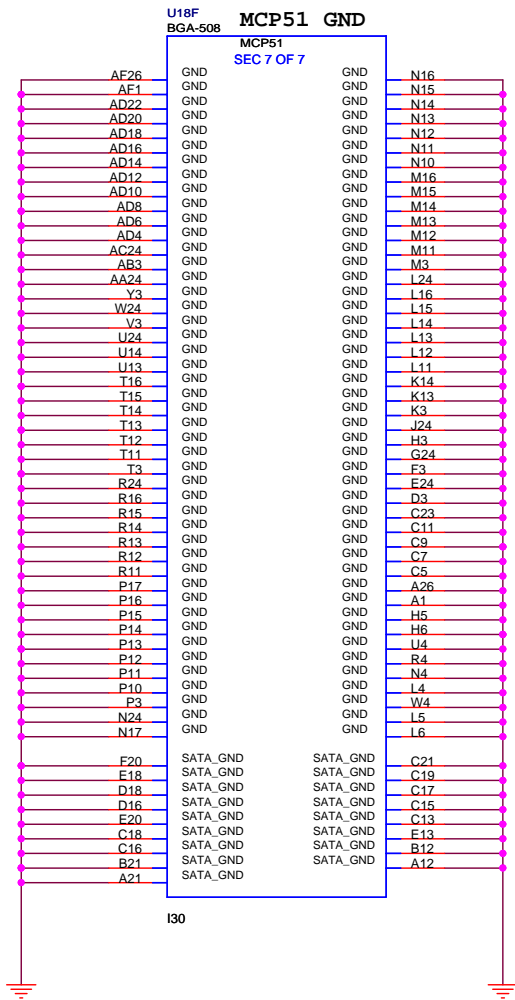
Elitegroup Computer Systems

Title: **C51PVGM-M**

Size: Custom | Document Number: **MCP51G AUDIO / USB / MISC1** | Rev: 1

Date: Thursday, October 05, 2006 | Sheet: 17 of 32



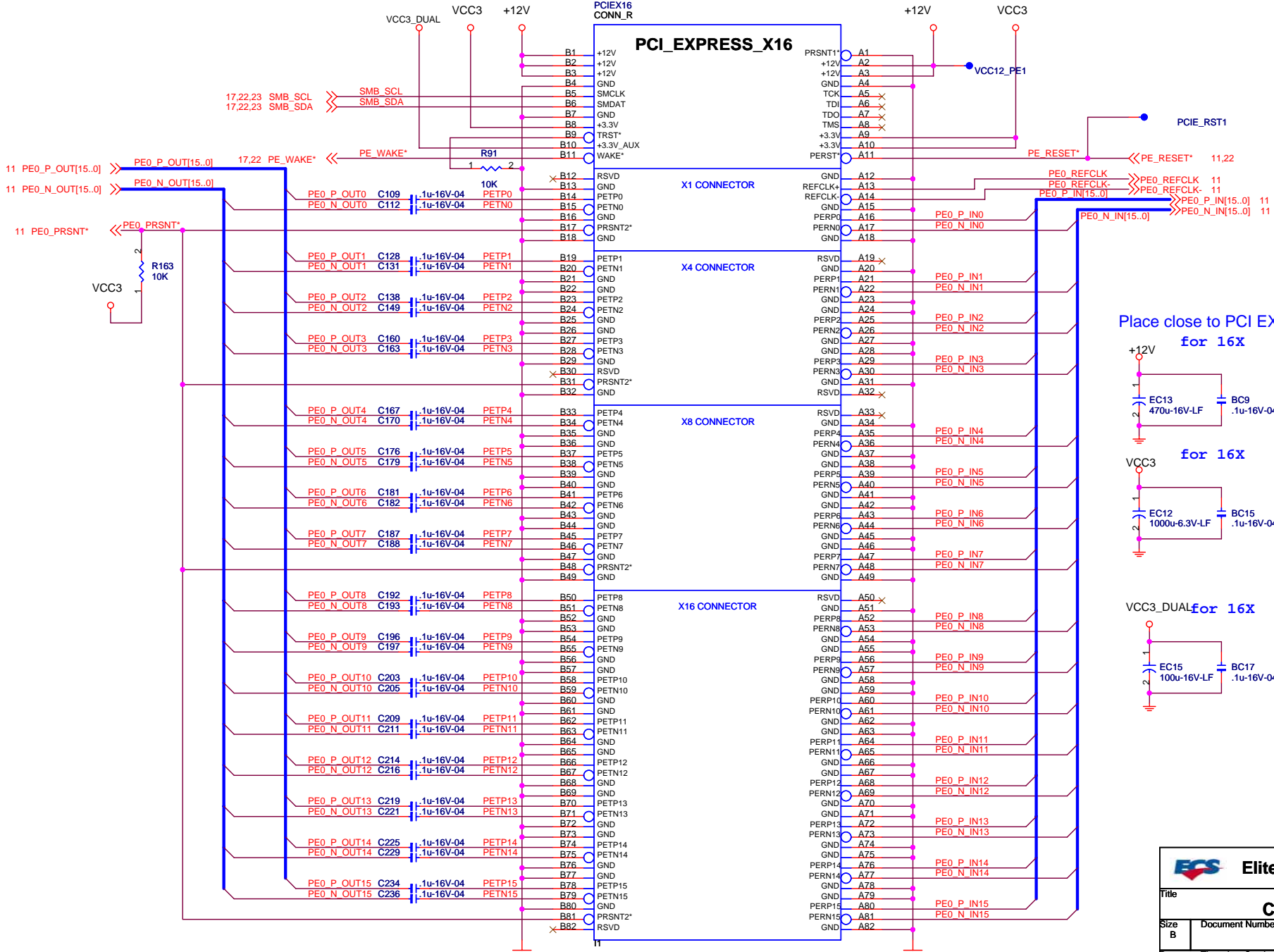


Elitegroup Computer Systems

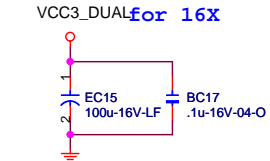
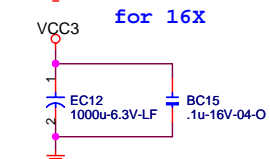
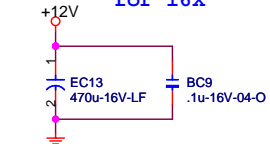
Title: **C51PVG-M**

Size B Document Number: **MCP51G P/G** Rev: **1.1**

Date: Thursday, October 05, 2006 Sheet 19 of 32



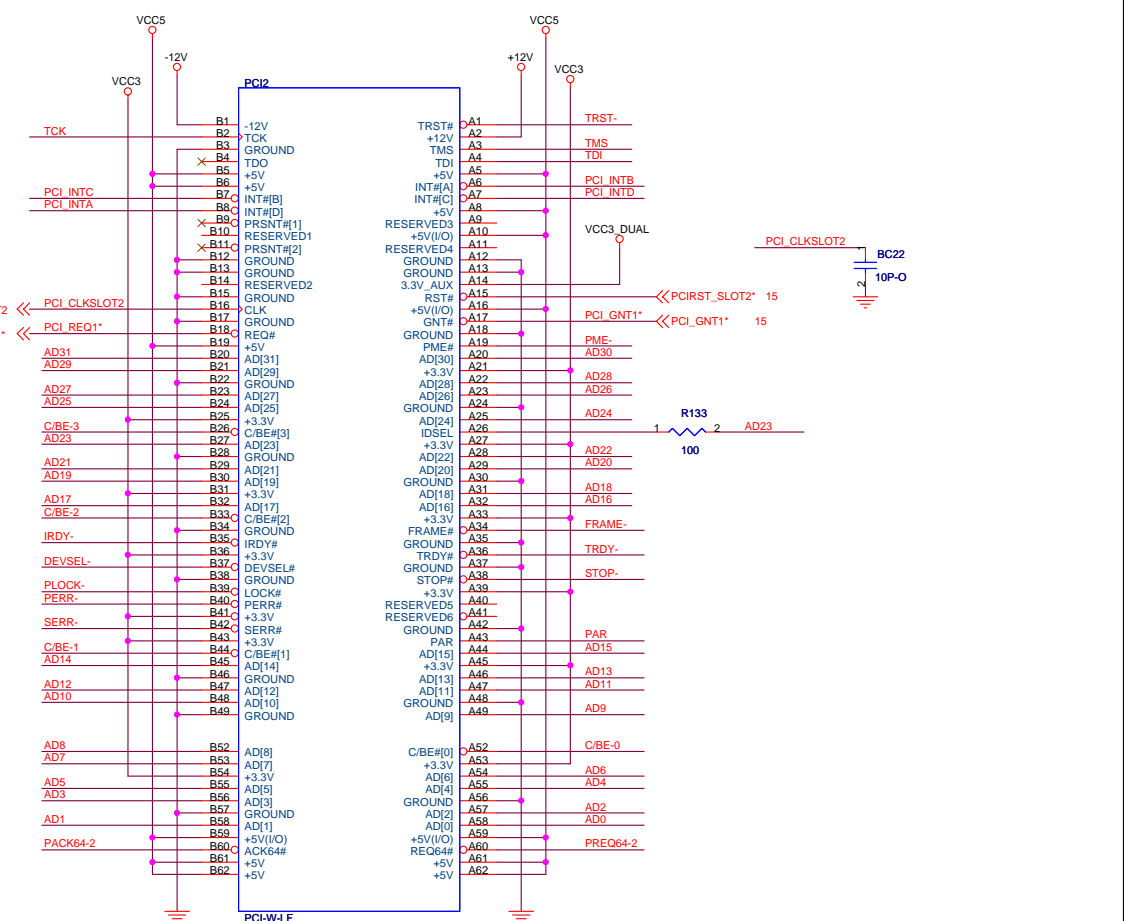
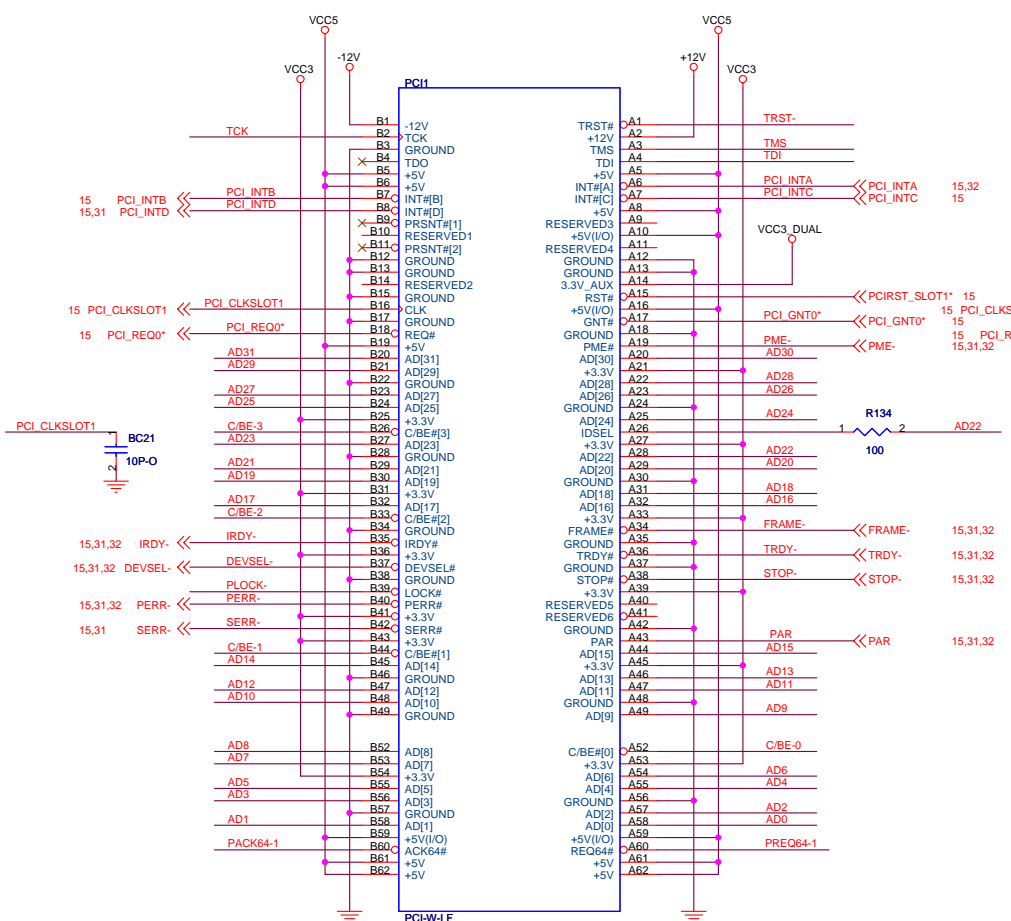
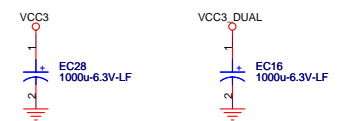
Place close to PCI EXPRESS connector as possible for 16X



ECS Elitegroup Computer Systems		
Title		
C51PVM-M		
Size	Document Number	Rev
B	PCI-E*16 CONN	1.1
Date:	Thursday, October 05, 2006	Sheet 20 of 32

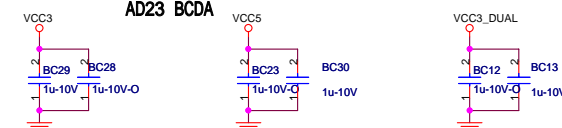
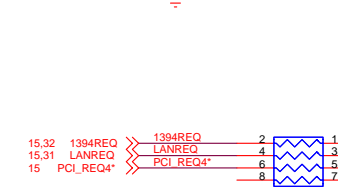
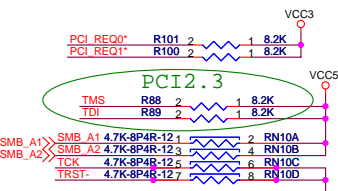
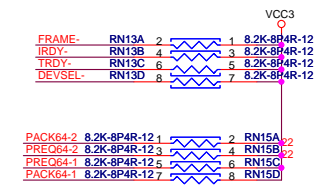
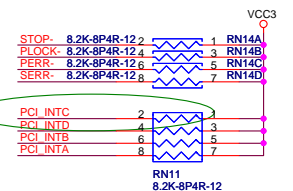
PCI Slot 1 & 2

15,31,32 C/BE-[0..3] << C/BE-[0..3]
15,31,32 AD[0..31] << AD[0..31]



AD22 ABCD

AD23 BCDA

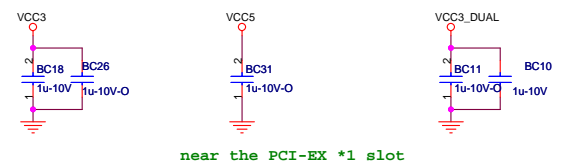


Elitegroup Computer Systems

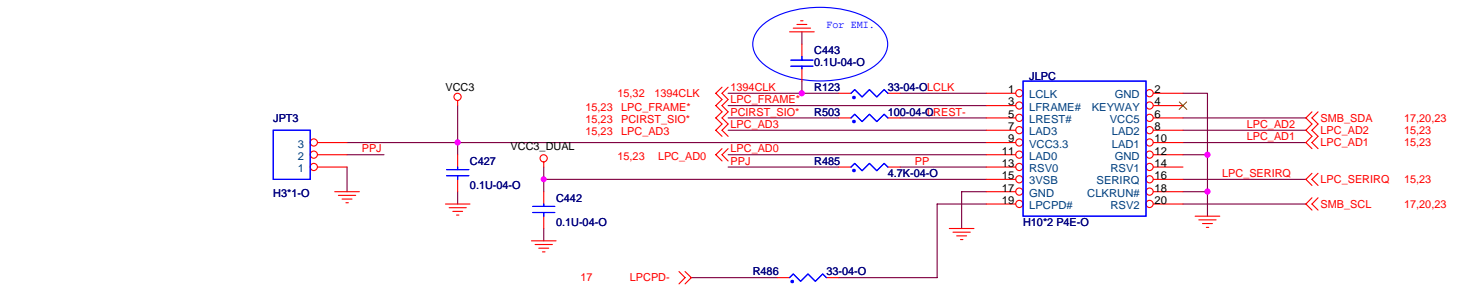
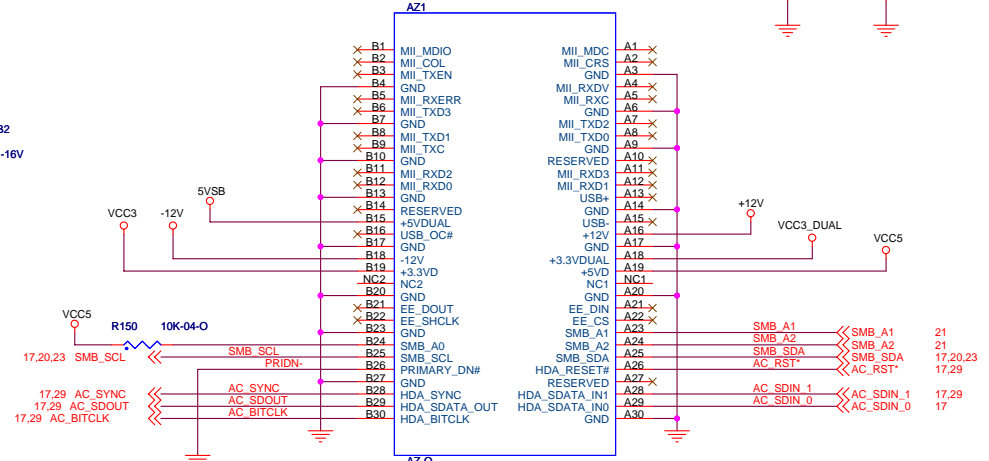
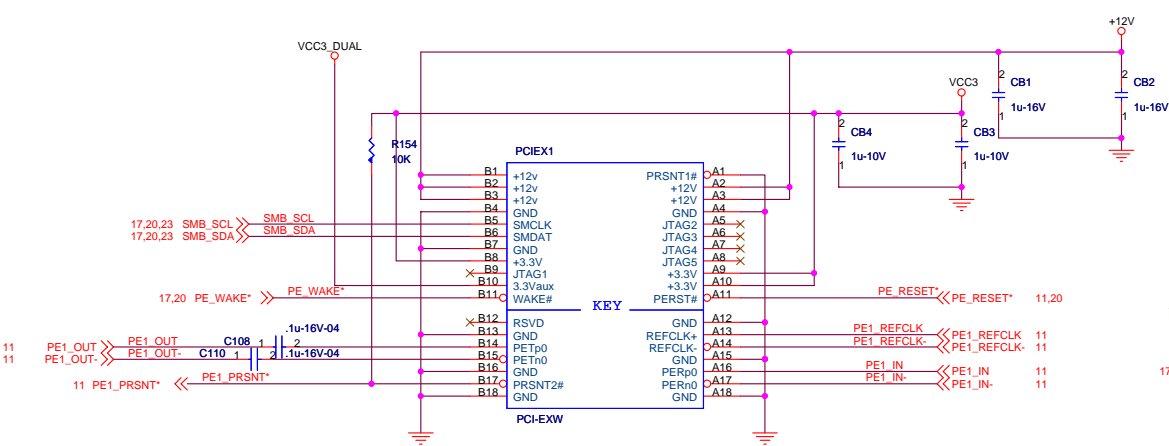
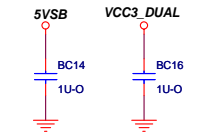
Model: **C51PVM-M**

Size: Document Number: PCI1/PCI2 Rev: 1.1

Date: Thursday, October 05, 2006 Sheet: 21 of 32



near the PCI-EX #1 slot

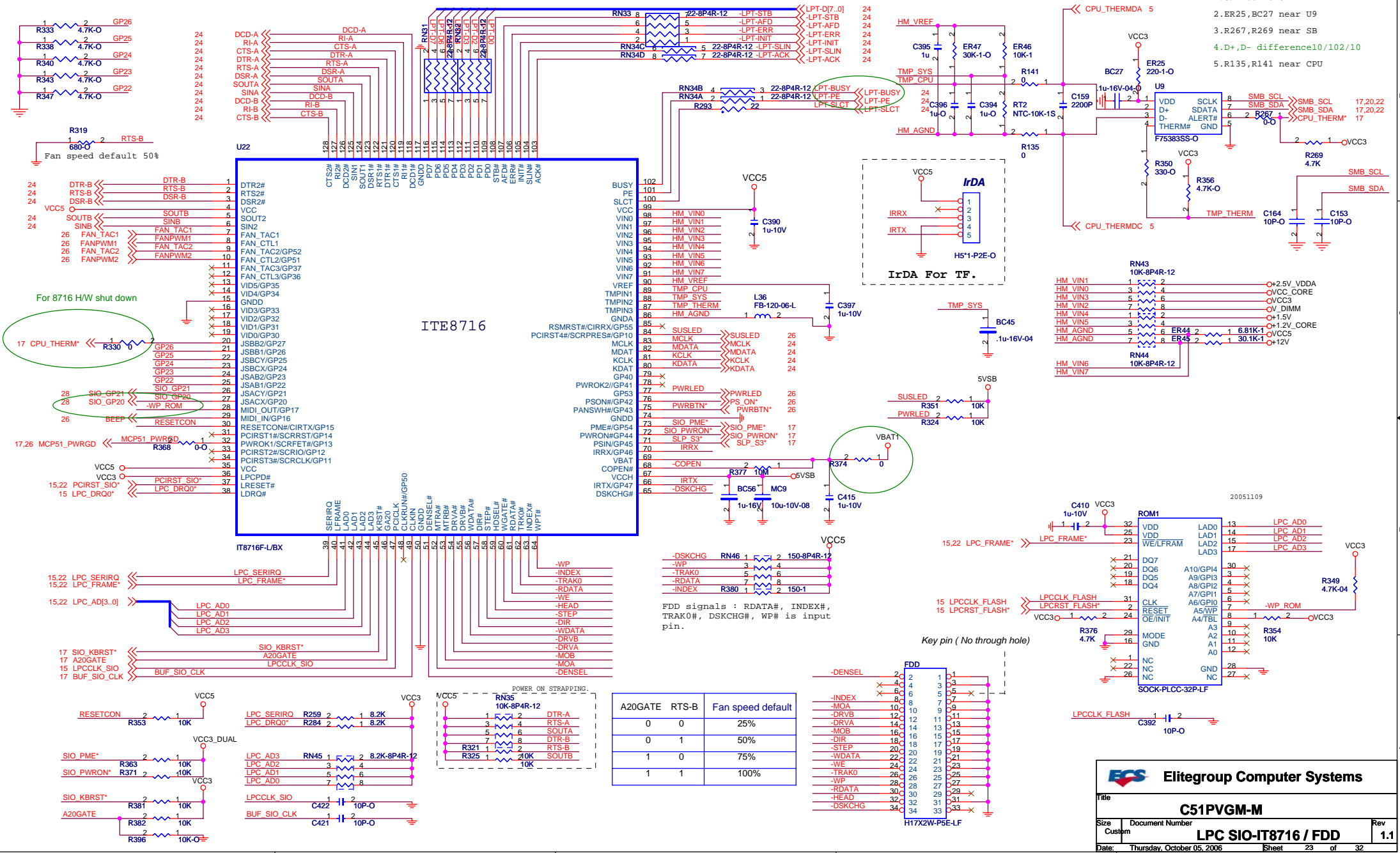


Elitegroup Computer Systems

Title: **C51PVM-M**

Size: Document Number
 Custom: PCI-E*1 & CNR
 Date: Thursday, October 05, 2006 Sheet 22 of 32

Rev 1.1

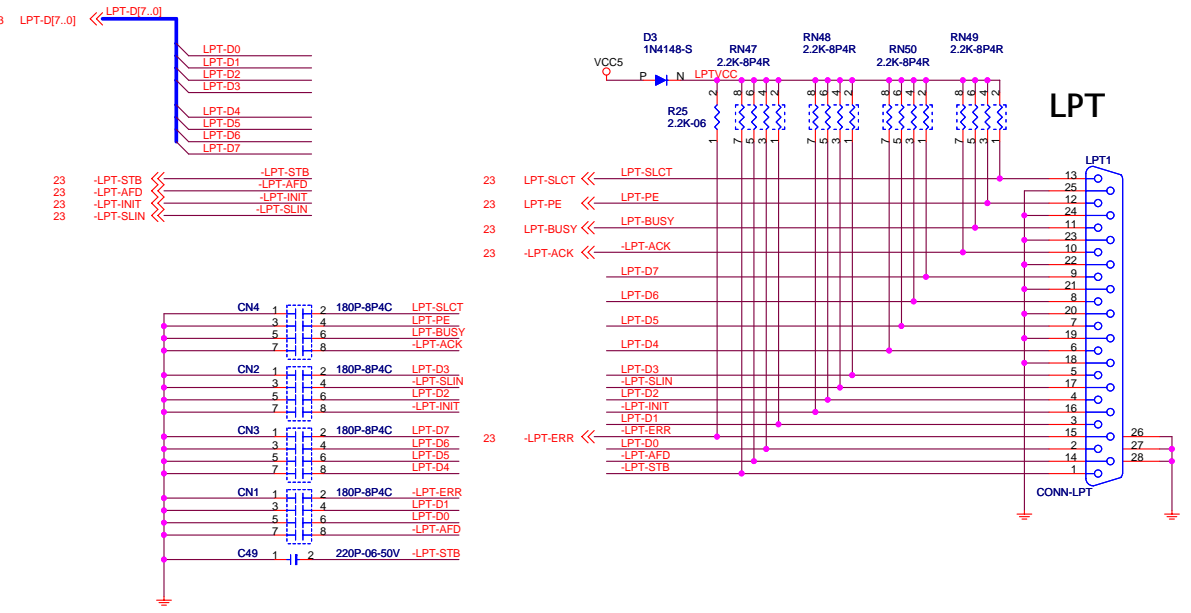
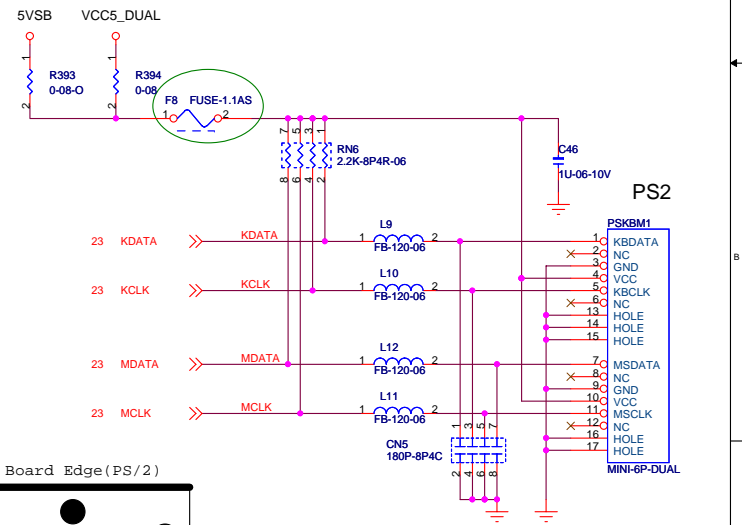
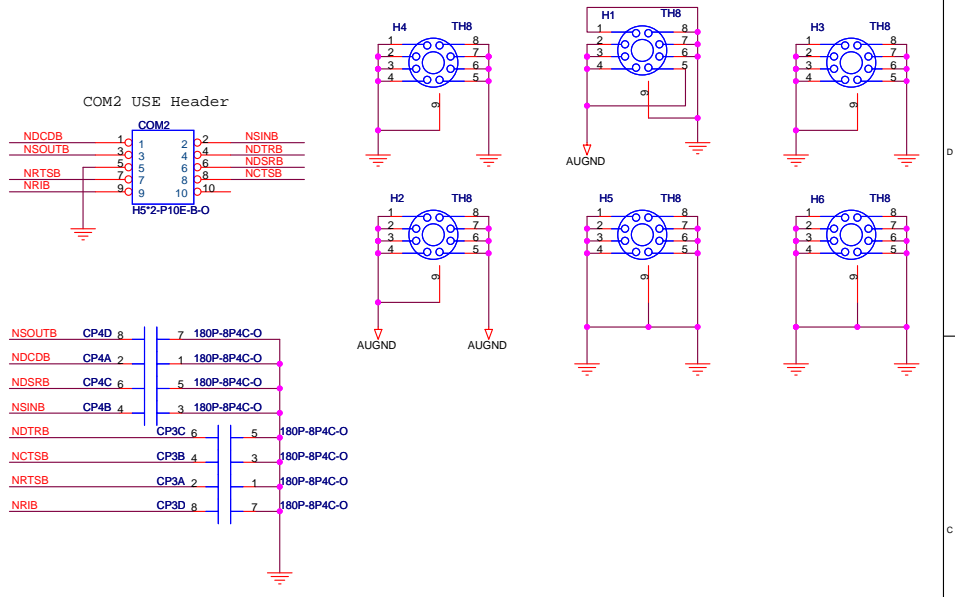
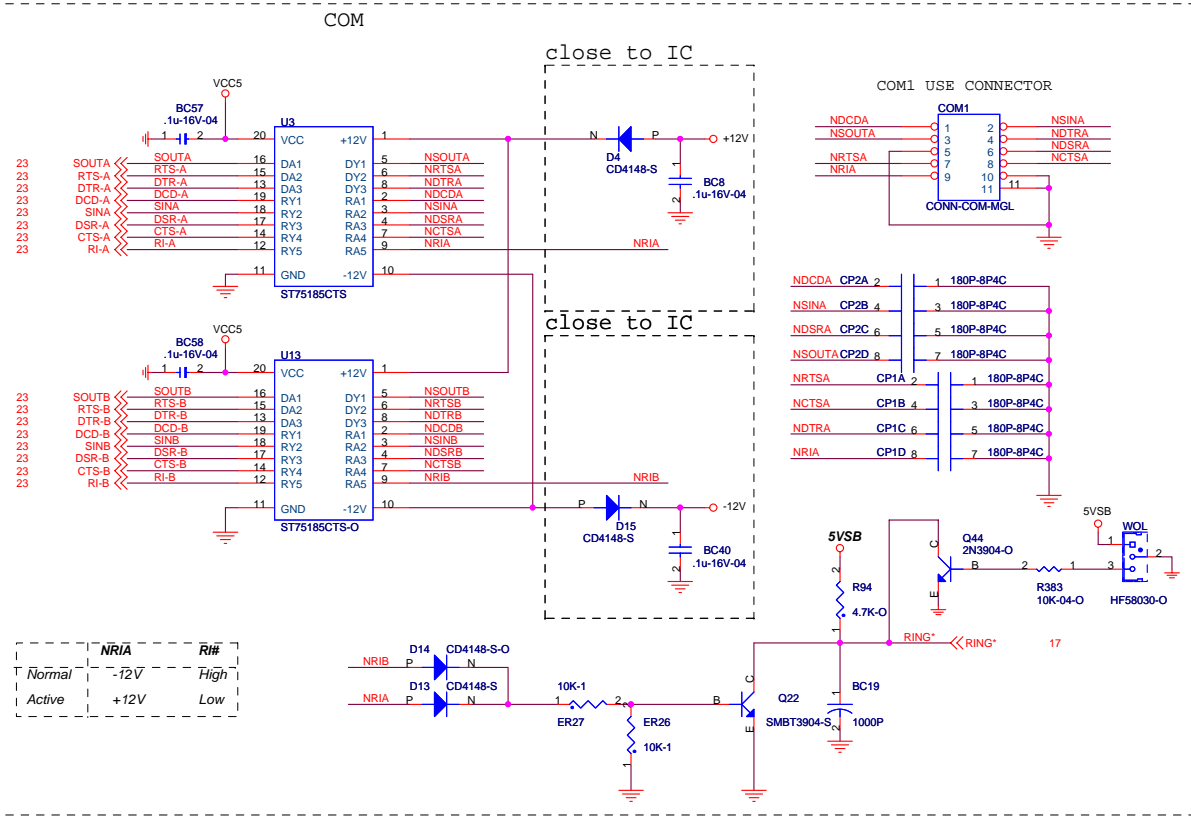


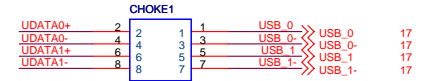
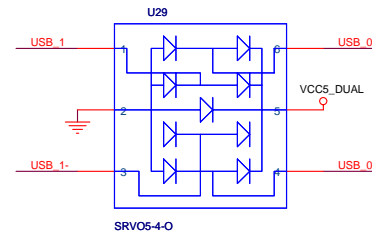
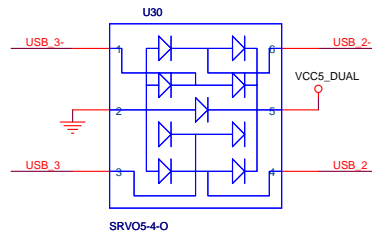
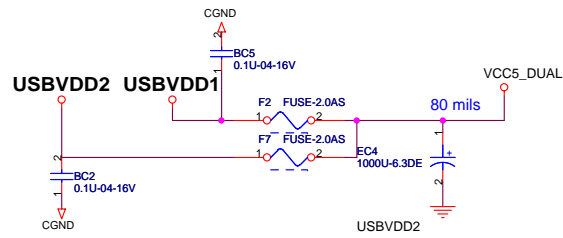
Elitegroup Computer Systems

Title: **C51PVGM-M**

Size: Custom | Document Number: **LPC SIO-IT8716 / FDD** | Rev: 1.1

Date: Thursday, October 05, 2006 | Sheet: 23 of 32

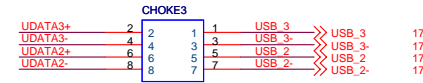




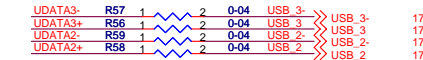
CMK-200/100S-O



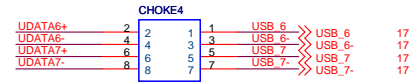
CMK-200/100S-O



CMK-200/100S-O



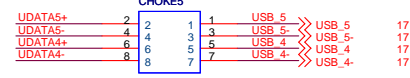
CMK-200/100S-O



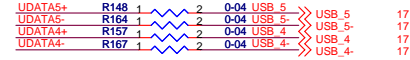
CMK-200/100S-O



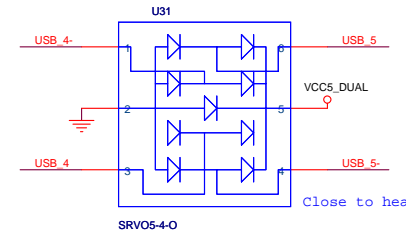
CMK-200/100S-O



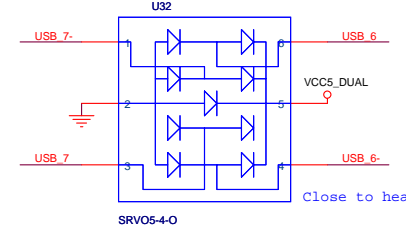
CMK-200/100S-O



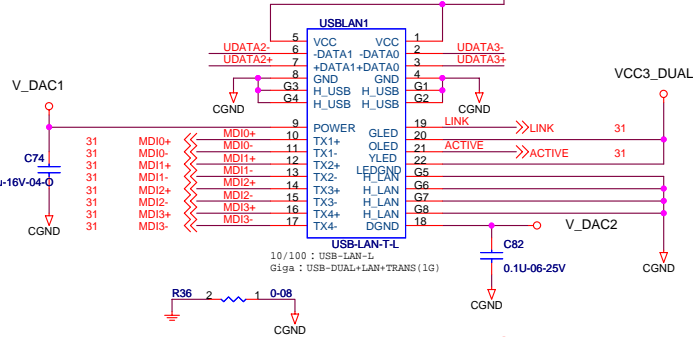
CMK-200/100S-O



Close to header(USB3)

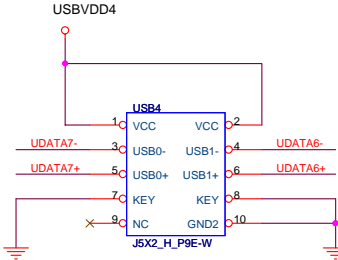
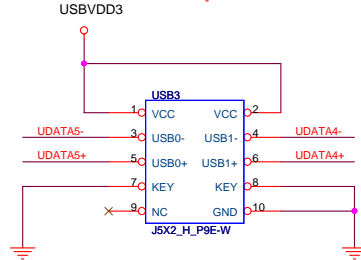
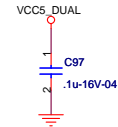
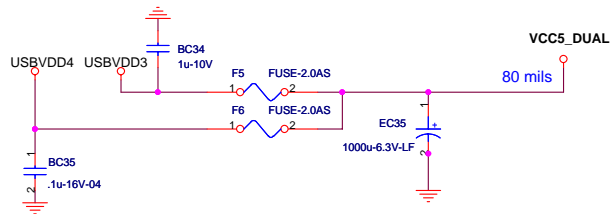


Close to header(USB4)

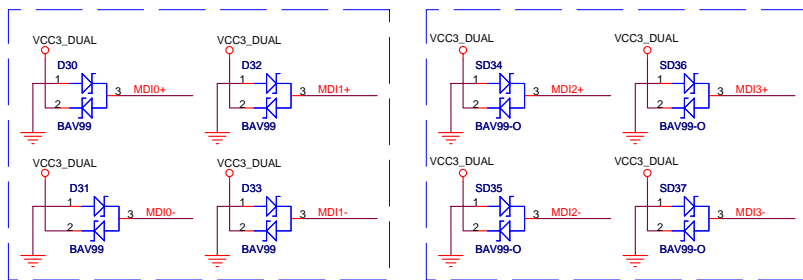


10/100 : USB-LAN-L
Giga : USB-DUAL+LAN+TRANS (1G)

R36 2 1 0-08



Close to USBLAN1(10/100 Lan)

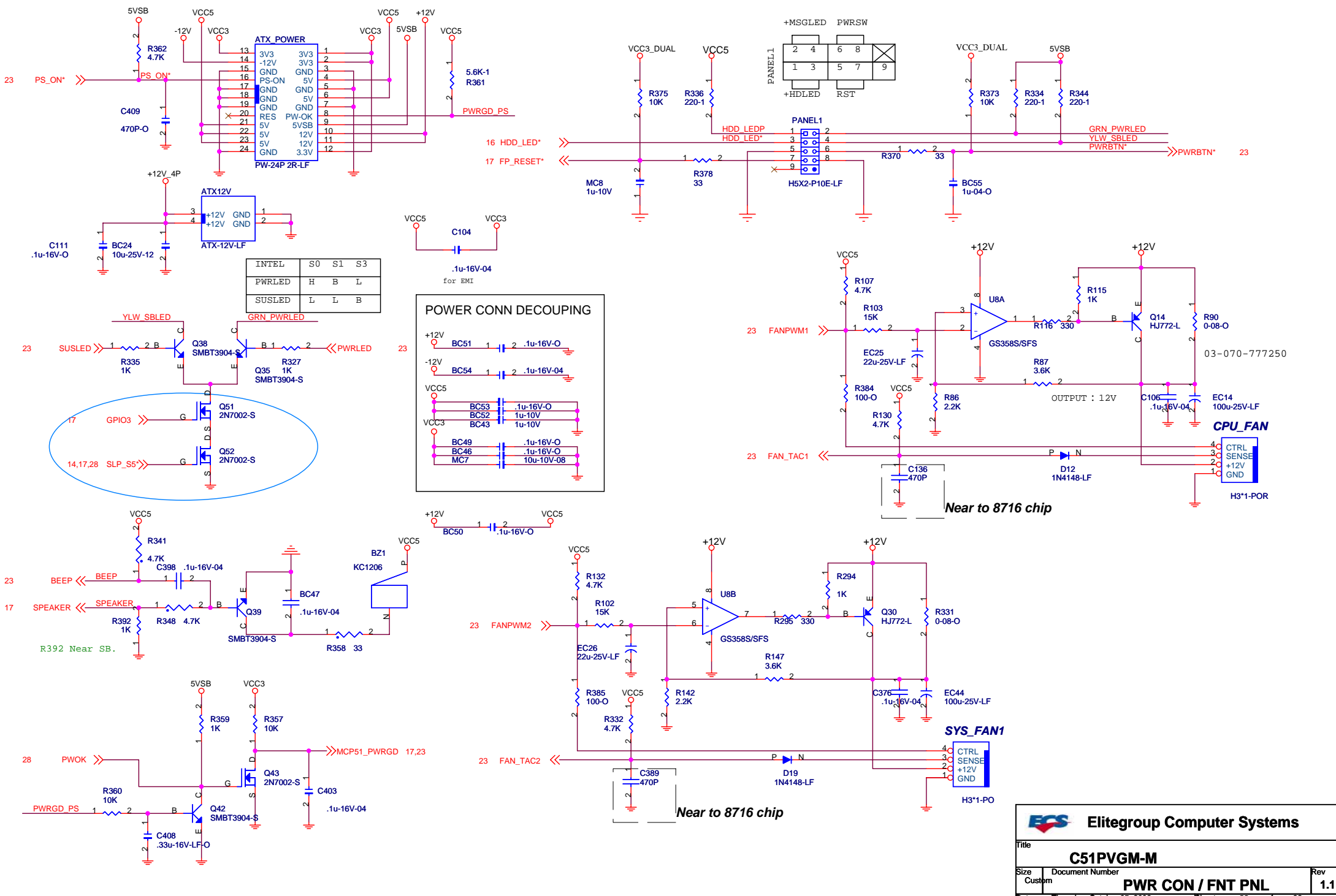


Close to USBLAN1(Giga Lan)

Elitegroup Computer Systems

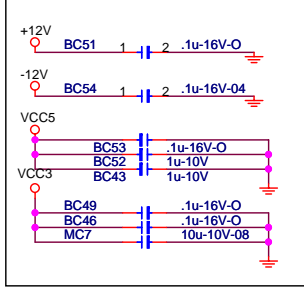
File: **C51PVGM-M**

Size: Document Number
 Custom: USB & Lan Conn.
 Date: Thursday, October 05, 2006 Sheet 25 of 32 Rev 1.0



INTEL	S0	S1	S3
PWRLED	H	B	L
SUSLED	L	L	B

POWER CONN DECOUPLING



Near to 8716 chip

Near to 8716 chip

Elitegroup Computer Systems

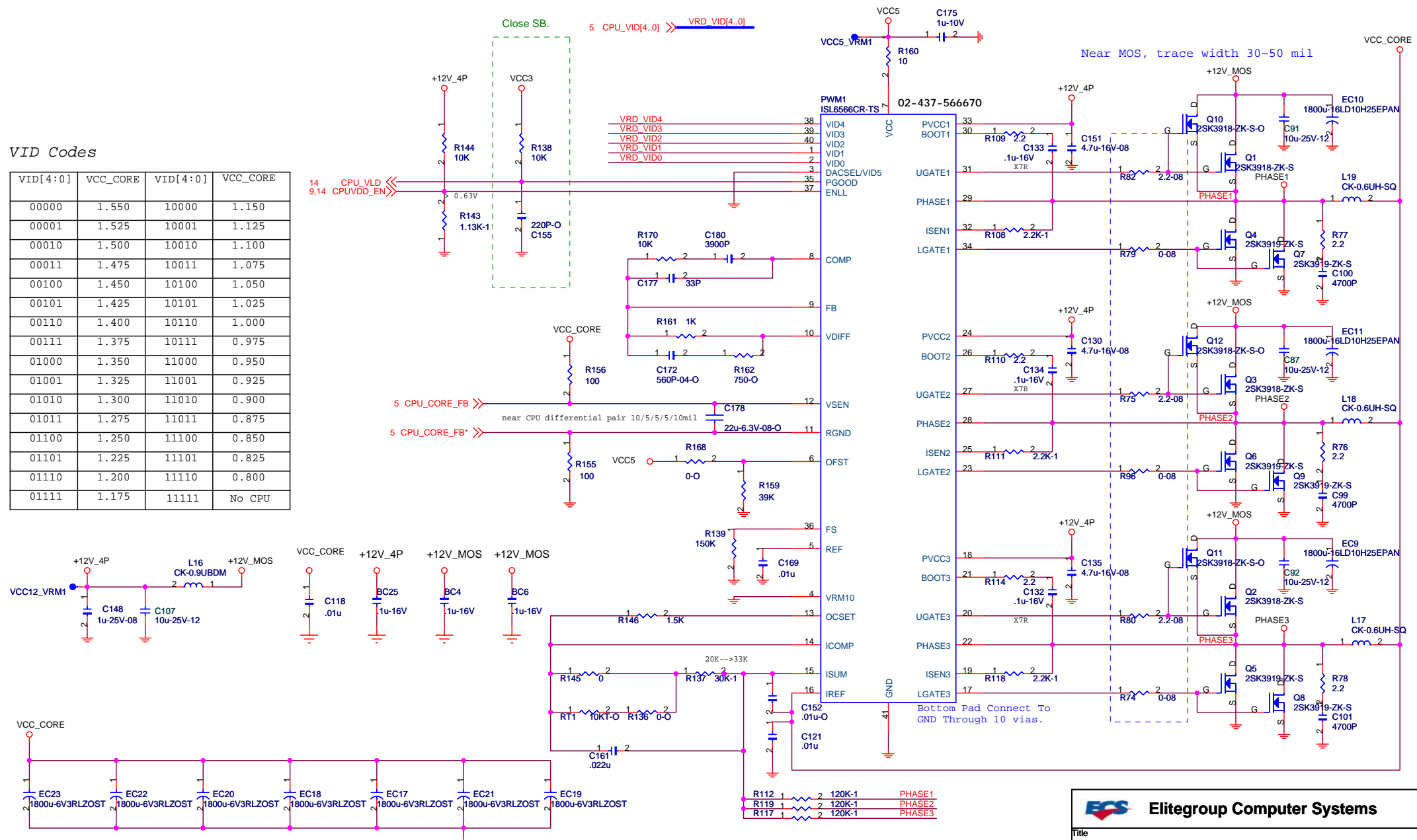
Title: **C51PVMG-M**

Size: Custom	Document Number: PWR CON / FNT PNL	Rev: 1.1
--------------	---	-----------------

Date: Thursday, October 05, 2006 Sheet 26 of 32

VID Codes

VID[4:0]	VCC_CORE	VID[4:0]	VCC_CORE
00000	1.550	10000	1.150
00001	1.525	10001	1.125
00010	1.500	10010	1.100
00011	1.475	10011	1.075
00100	1.450	10100	1.050
00101	1.425	10101	1.025
00110	1.400	10110	1.000
00111	1.375	10111	0.975
01000	1.350	11000	0.950
01001	1.325	11001	0.925
01010	1.300	11010	0.900
01011	1.275	11011	0.875
01100	1.250	11100	0.850
01101	1.225	11101	0.825
01110	1.200	11110	0.800
01111	1.175	11111	No CPU



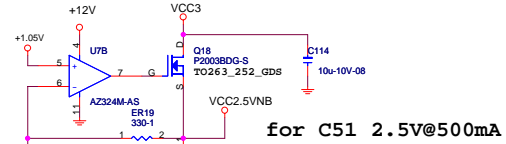
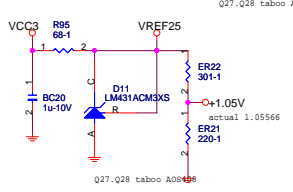
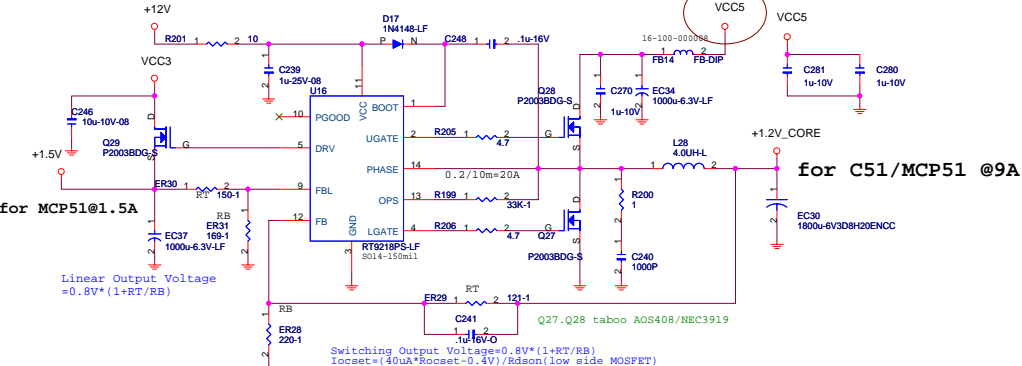
ECS Elitegroup Computer Systems

Title: **C51PVGM-M**

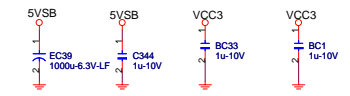
Size B Document Number **CPU VCORE** Rev **1.1**

Date: Thursday, October 05, 2006 Sheet 27 of 32

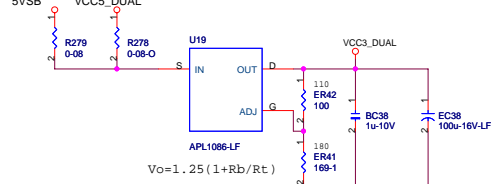
Power for C51G Core, PCI Express, SATA



5VSB



3.3V_DUAL

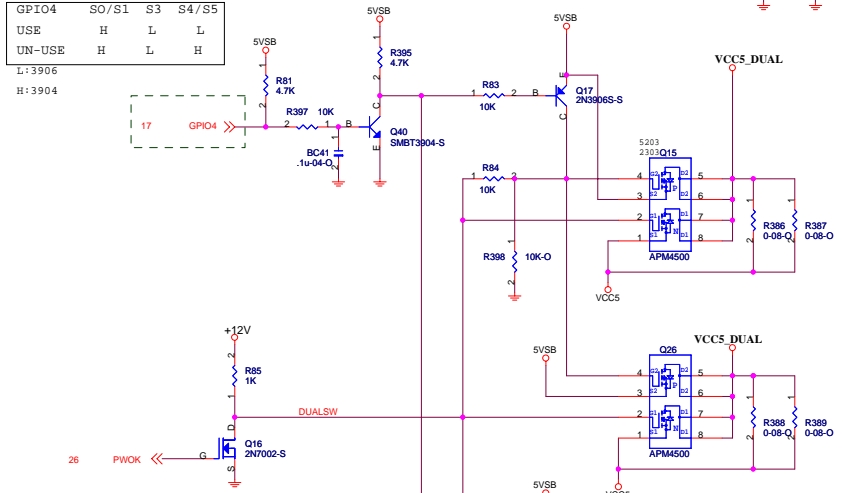


5V_DUAL FOR USB, PS2

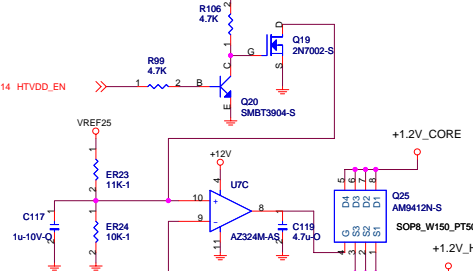
KEYBOARD POWER ON

GPIO4	SO/S1	S3	S4/S5
USB	H	L	L
UN-USE	H	L	H

L: 3906
H: 3904

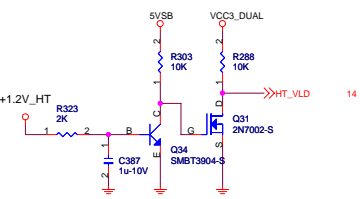
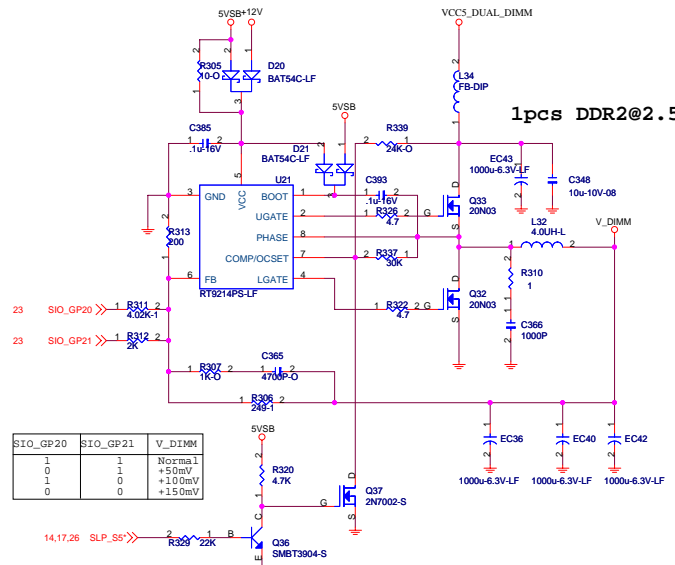


+1.2V_HT



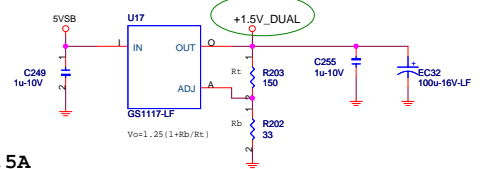
RT92202	RT9214
B245	x
D30	x
B440	x
B752	x

Power for C51 HT

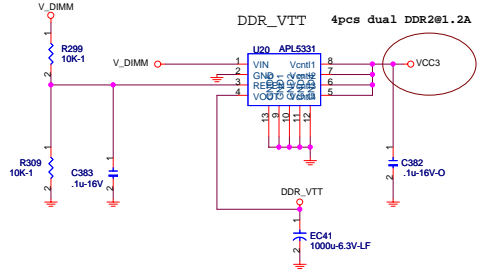


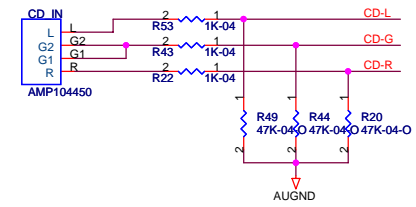
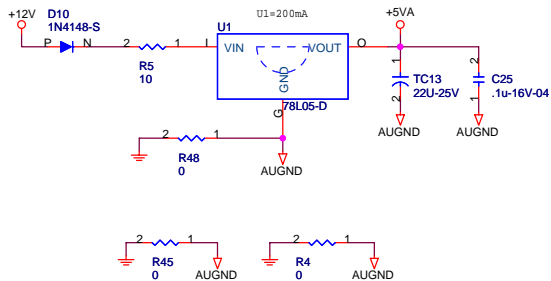
for CPU/C51@1A

MCP51 AUX (1.5V) @250mA

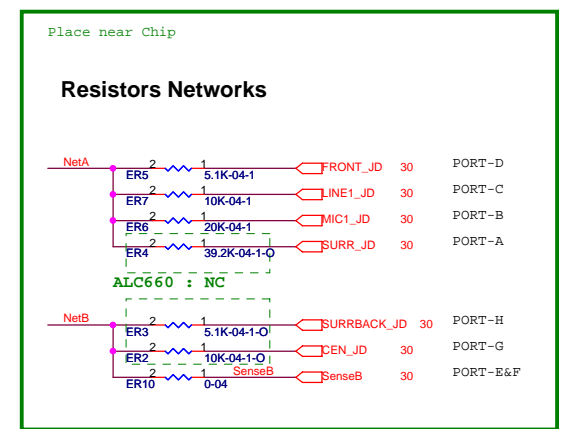
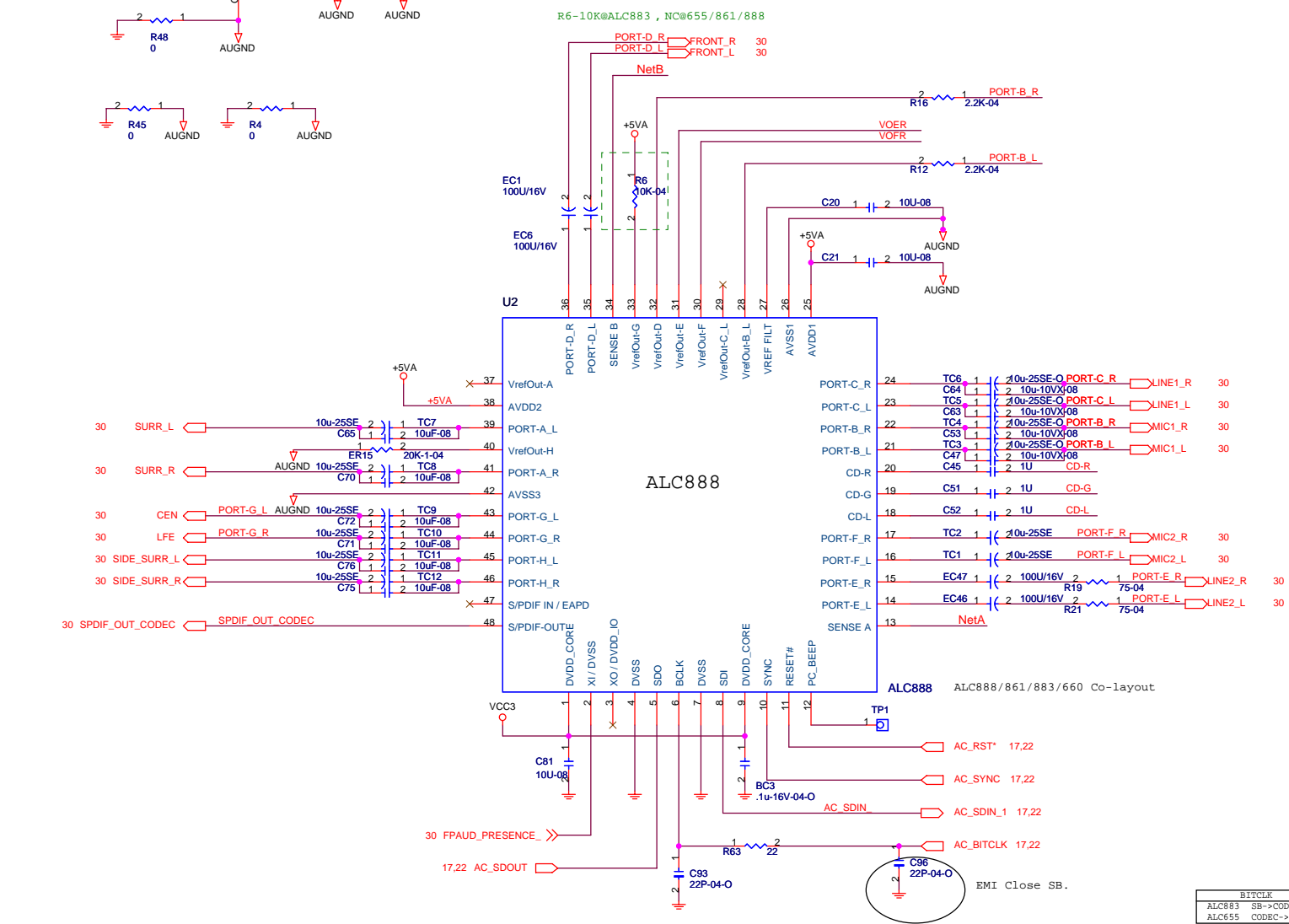
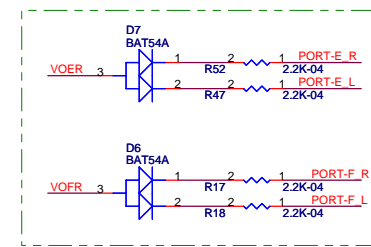


1pcs DDR2@2.5A





Verfout bias for stereo microphone.



BITCLK	
ALC883	SB->CODEC
ALC655	CODEC->SB

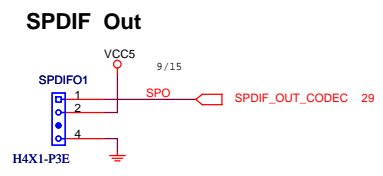
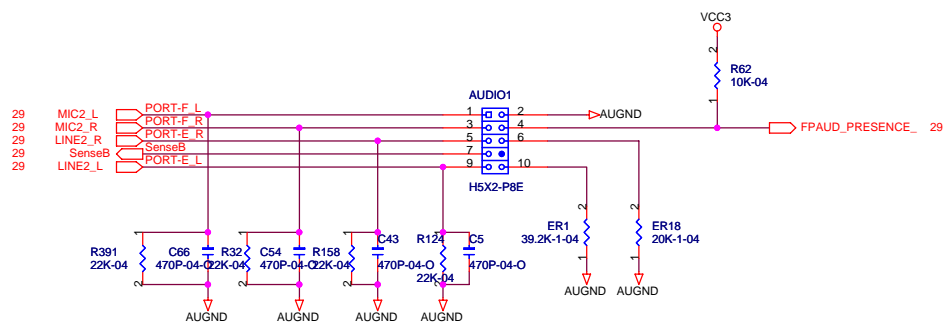
Elitegroup Computer Systems

File: **C51PVG-M**

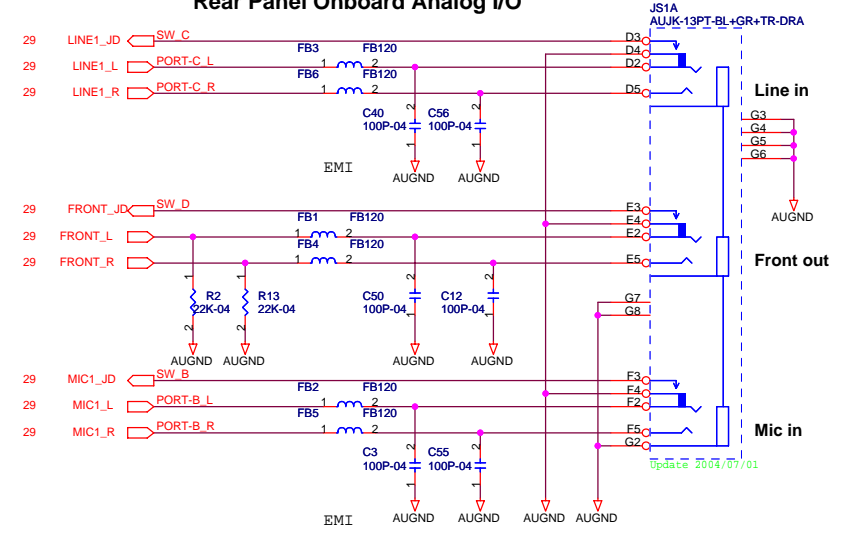
Size: Document Number

Custom: **ALC88/883/861/660** Rev: **1.1**

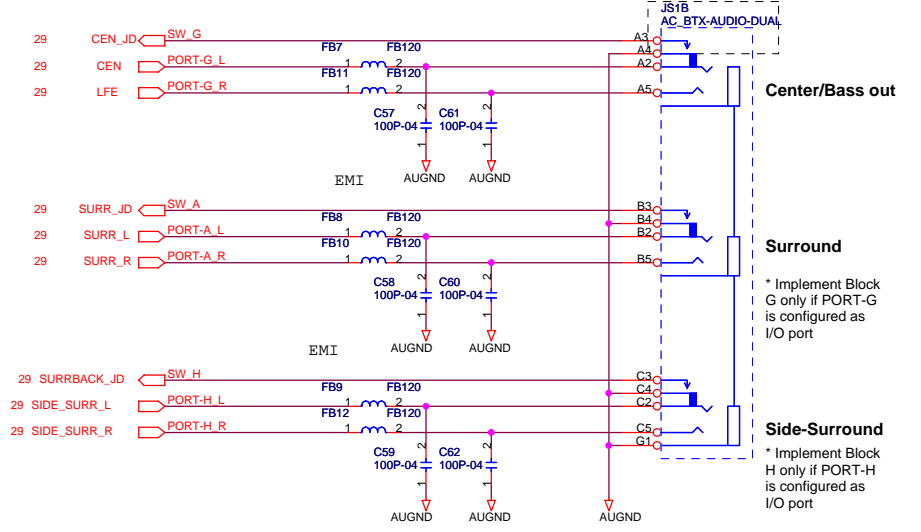
Date: Thursday, October 05, 2006 Sheet 29 of 32



Rear Panel Onboard Analog I/O



Rear Panel (Optional Rear Audio Panel)

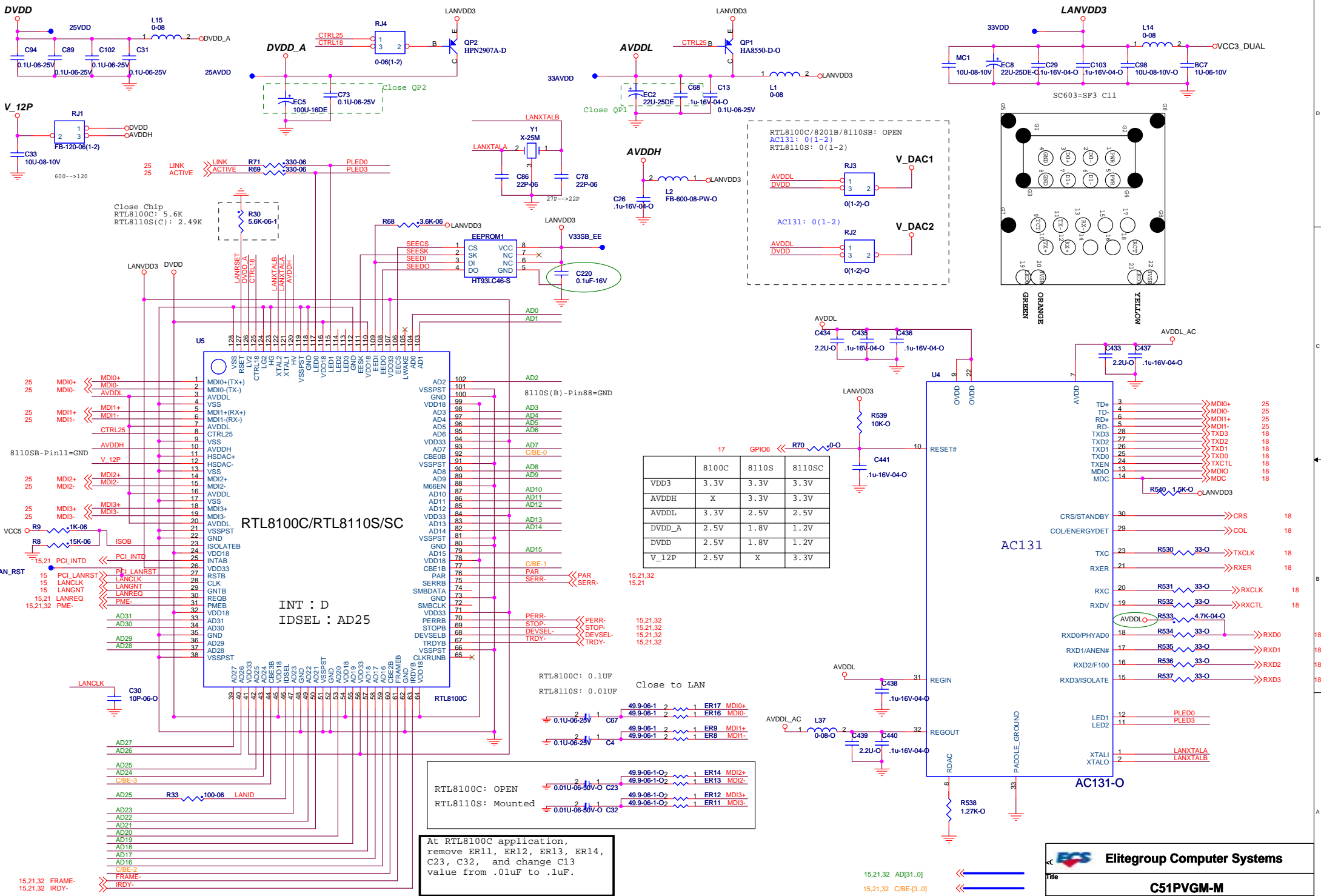


ECS Elitegroup Computer Systems

Title: C51PVG-M

Size	Document Number	Rev
Custom	ALC88/883/861/660 Conn.	1.1

Date: Thursday, October 05, 2006 Sheet 30 of 32



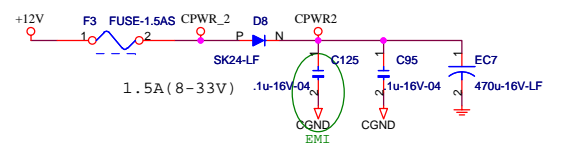
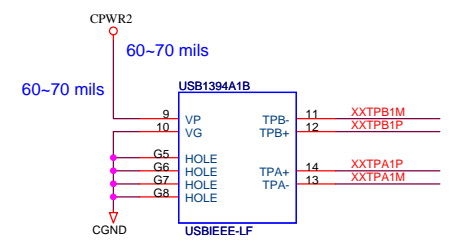
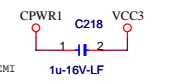
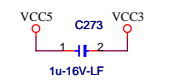
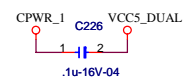
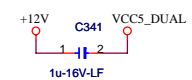
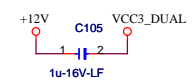
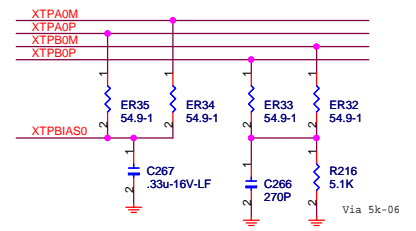
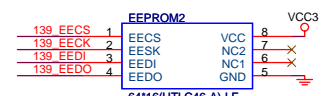
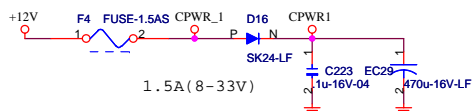
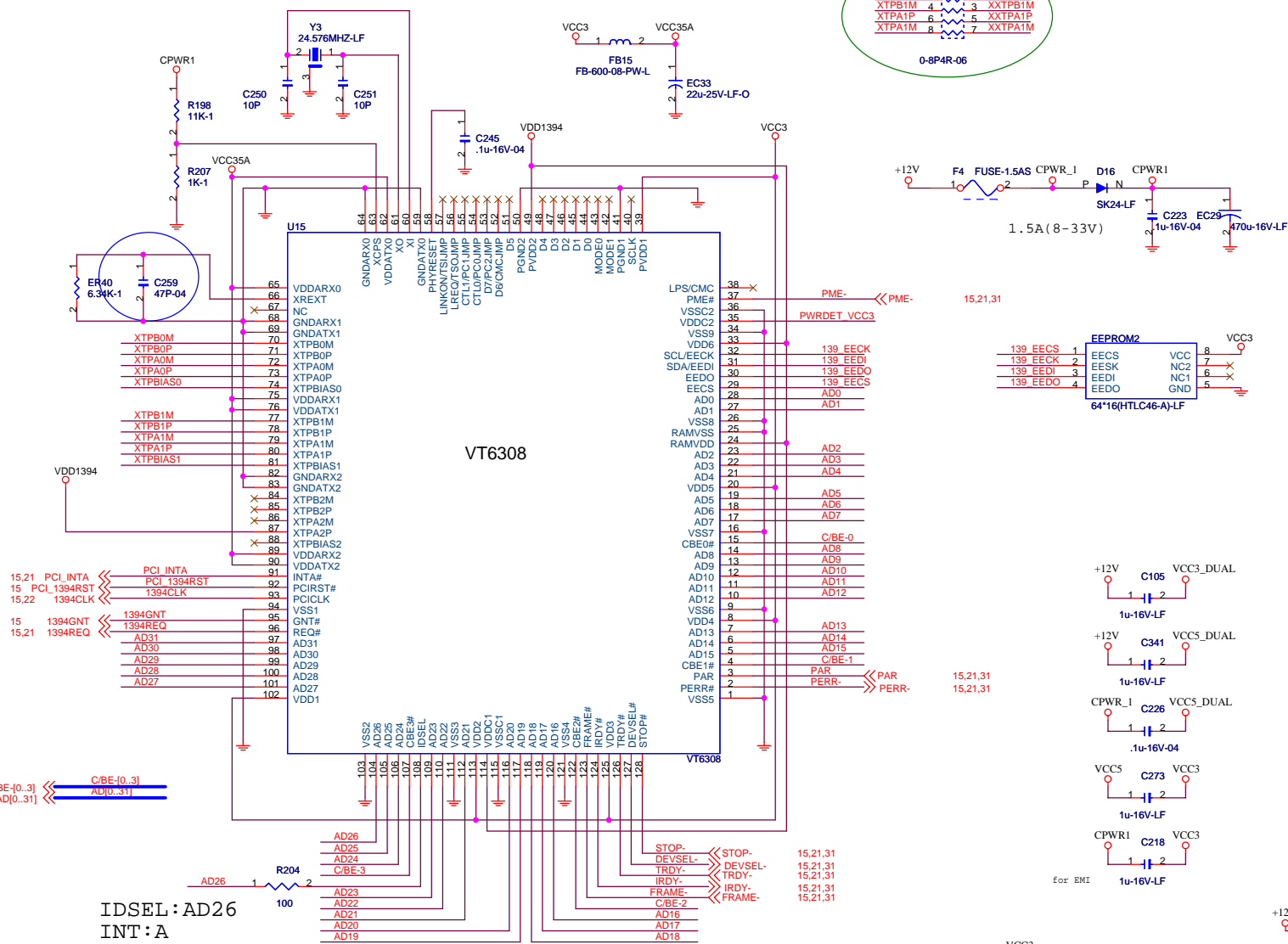
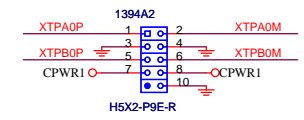
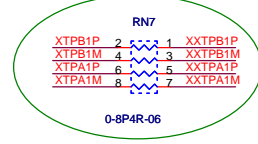
	8100C	8110S	8110SC
VDD3	3.3V	3.3V	3.3V
AVDDH	X	3.3V	3.3V
AVDDL	3.3V	2.5V	2.5V
DVDD_A	2.5V	1.8V	1.2V
DVDD	2.5V	1.8V	1.2V
V _{12P}	2.5V	X	3.3V

RTL8100C: 0.1uF
 RTL8110S: 0.01uF
 Close to LAN

$\frac{49.9-06-1}{0.10-06-23V}$ C67
 $\frac{49.9-06-1}{0.10-06-23V}$ C4
 $\frac{49.9-06-1-O_2}{0.010-06-30V-O}$ C23
 $\frac{49.9-06-1-O_2}{0.010-06-30V-O}$ C32
 $\frac{49.9-06-1-O_2}{0.010-06-30V-O}$ ER17 MDIO+
 $\frac{49.9-06-1-O_2}{0.010-06-30V-O}$ ER16 MDIO-
 $\frac{49.9-06-1-O_2}{0.010-06-30V-O}$ ER9 MDI+
 $\frac{49.9-06-1-O_2}{0.010-06-30V-O}$ ER8 MDI-
 $\frac{49.9-06-1-O_2}{0.010-06-30V-O}$ ER14 MDI2+
 $\frac{49.9-06-1-O_2}{0.010-06-30V-O}$ ER13 MDI2-
 $\frac{49.9-06-1-O_2}{0.010-06-30V-O}$ ER12 MDI3+
 $\frac{49.9-06-1-O_2}{0.010-06-30V-O}$ ER11 MDI3-

At RTL8100C application, remove ER11, ER12, ER13, ER14, C23, C32, and change C13 value from .01uF to .1uF.

No space for choke



IDSEL : AD26
INT : A

