

1 2 3 4 5 6 7 8

THIS DRAWING AND SPECIFICATIONS, HEREIN, ARE THE PROPERTY OF INVENTEC CORPORATION AND SHALL NOT BE REPRODUCED, COPIED, OR USED IN WHOLE OR IN PART AS THE BASIS FOR THE MANUFACTURE OR SALE OF ITEMS WITHOUT WRITTEN PERMISSION. INVENTEC CORPORATION 2009 ALL RIGHT RESERVED

Hublot-UMA

PV_DDR3 (A01)

2009.04.21

<http://hobi-elektronika.net/>

DATE	CHANGE NO.	REV

DRAWER	EE	DATE	POWER	DATE	INVENTEC
DESIGN					
CHECK					
RESPONSIBLE					
TITLE					Hublot_UMA
SIZE =	3	VER :			SIZE
FILE NAME :	XXXX-XXXXXX-XX				CODE
P/N	XXXXXXXXXXXX				A3 CS
					DOC. NUMBER
					1310A22592-0-MTR
					REV
					A01
					SHEET
					1 OF 54

Table Of Contents

Page	Page	Page
5- DC & Battery Charger.	15- Clock Generator.	37- HDD & ODD CONN & Accelerometer.
6- Select & Battery connector.	16- CPU Penryn-1.	38- USB CONN & USB DB & FP CONN.
7- SYSTEM POWER(3V/5V)	17- CPU Penryn-2.	39- KBC & BIOS ROM.
8- SYSTEM POWER(+V1.8/+VCCP)	18- CPU Penryn-3.	40- Internal Keyboard & TouchPad CONN.
9- SYSTEM POWER(+VGFX)	19- Thermal & Fan.	41- Audio CODEC & Earphone & Speaker.
10- N/A	20- N/B Cantiga-1.	42- Audio MIC & MDC CONN.
11- CPU POWER(VCC_CORE)	21- N/B Cantiga-2.	43- Giga LAN controller.
12- DDR TERMINATION VOLTAGE(+V0.75)	22- N/B Cantiga-3.	44- Magnetic & RJ45 CONN.
13- Power (Sleep: +V5S/+V3S/+V1.5S)	23- N/B Cantiga-4.	45- Mini Card & BT CONN.
14- Power (Sequence)	24- N/B Cantiga-5.	46- New Card & 2 in 1 Card (SD/MMC).
	25- N/B Cantiga-6.	47- LEDs & Buttons & SW/B CONN.
	26- DDR2-DIMM0.	48- Screws & FixMask.
	27- DDR2-DIMM1.	49- DB - CAP Sense board
	28- DDR2-DAMPING.	50- DB - HDD Extend board
	29- CRT CONN.	51- DB - Finger Print board
	30- HDMI CONN.	52- DB - USB Extend board
	31- LCM CONN.	53- DB - Power Switch & Sim Card board
	32- S/B ICH9-1.	
	33- S/B ICH9-2.	
	34- S/B ICH9-3.	
	35- S/B ICH9-4.	
	36- S/B ICH9-5.	

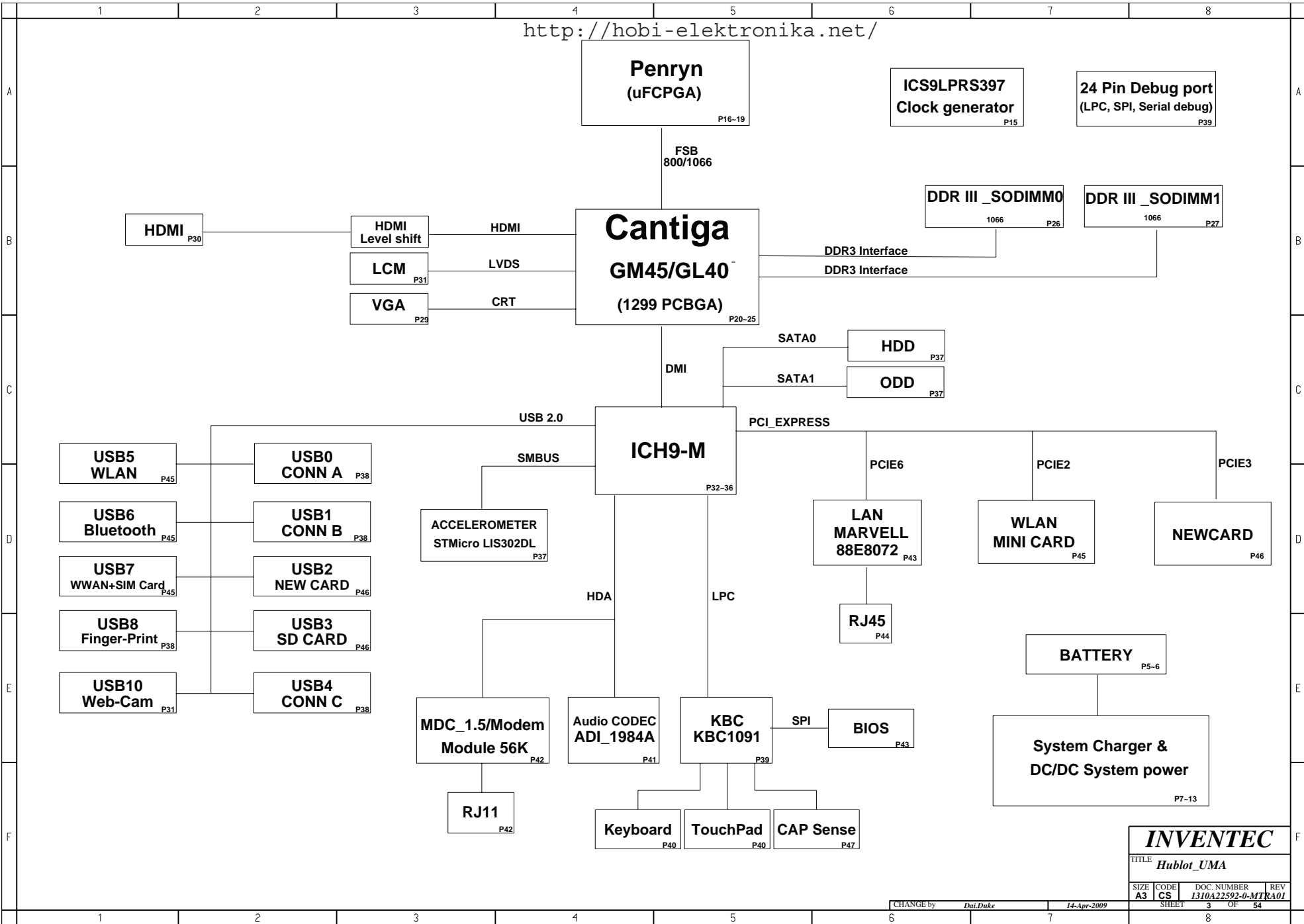
INVENTEC

TITLE *Hublot_UMA*

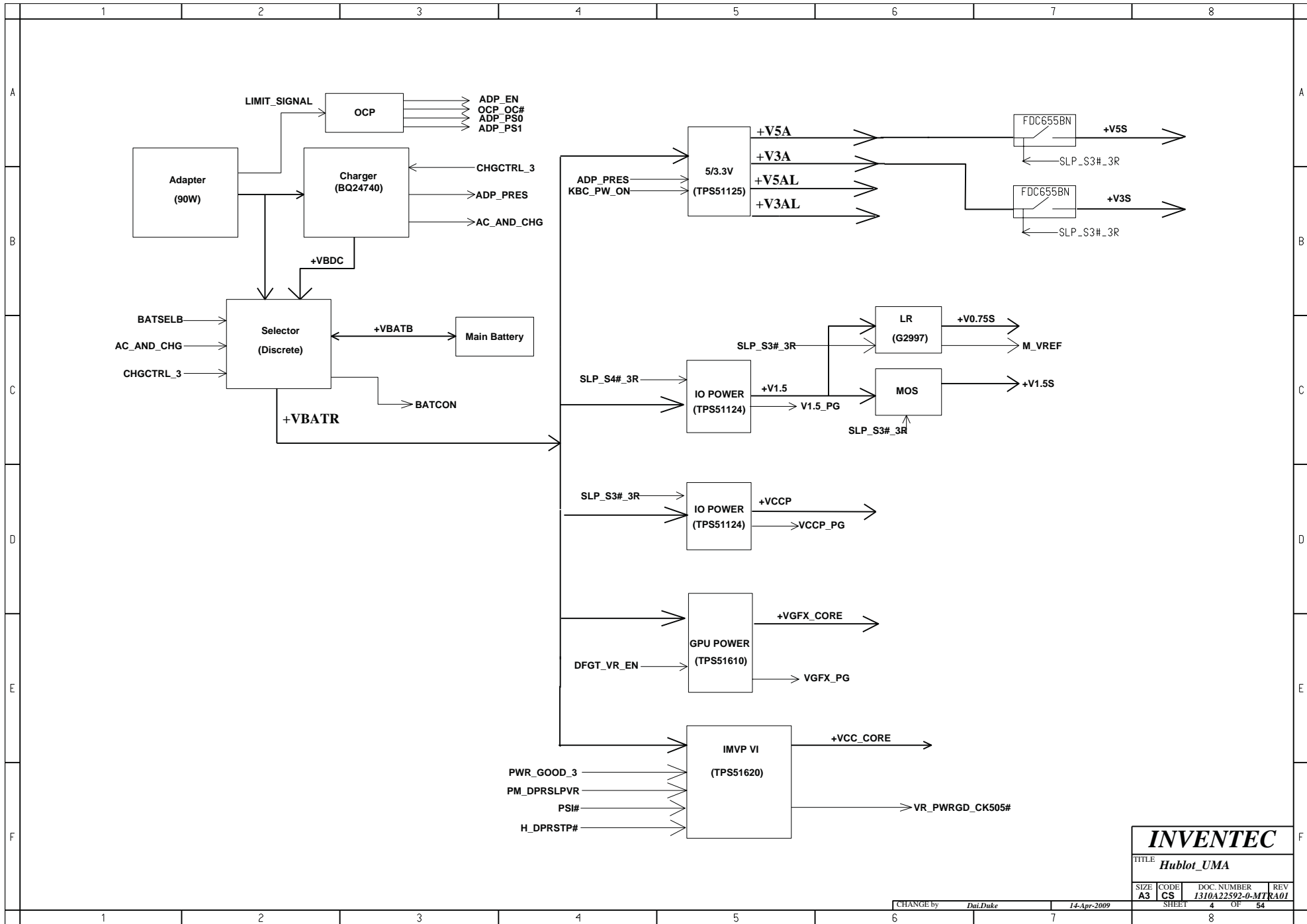
SIZE A3	CODE CS	DOC NUMBER <i>1310A22592-0-MTR</i>	REV A01
SHEET		2	OF 54

CHANGE by *Dal.Duke* 14-Apr-2009

<http://hobi-elektronika.net/>



INVENTEC			
TITLE <i>Hublot_UMA</i>			
SIZE A3	CODE CS	DOC. NUMBER 1310A22592-0-MTR	REV RA01
CHANGE by <i>Dal.Duke</i>		14-Apr-2009	
SHEET 3		OF 54	

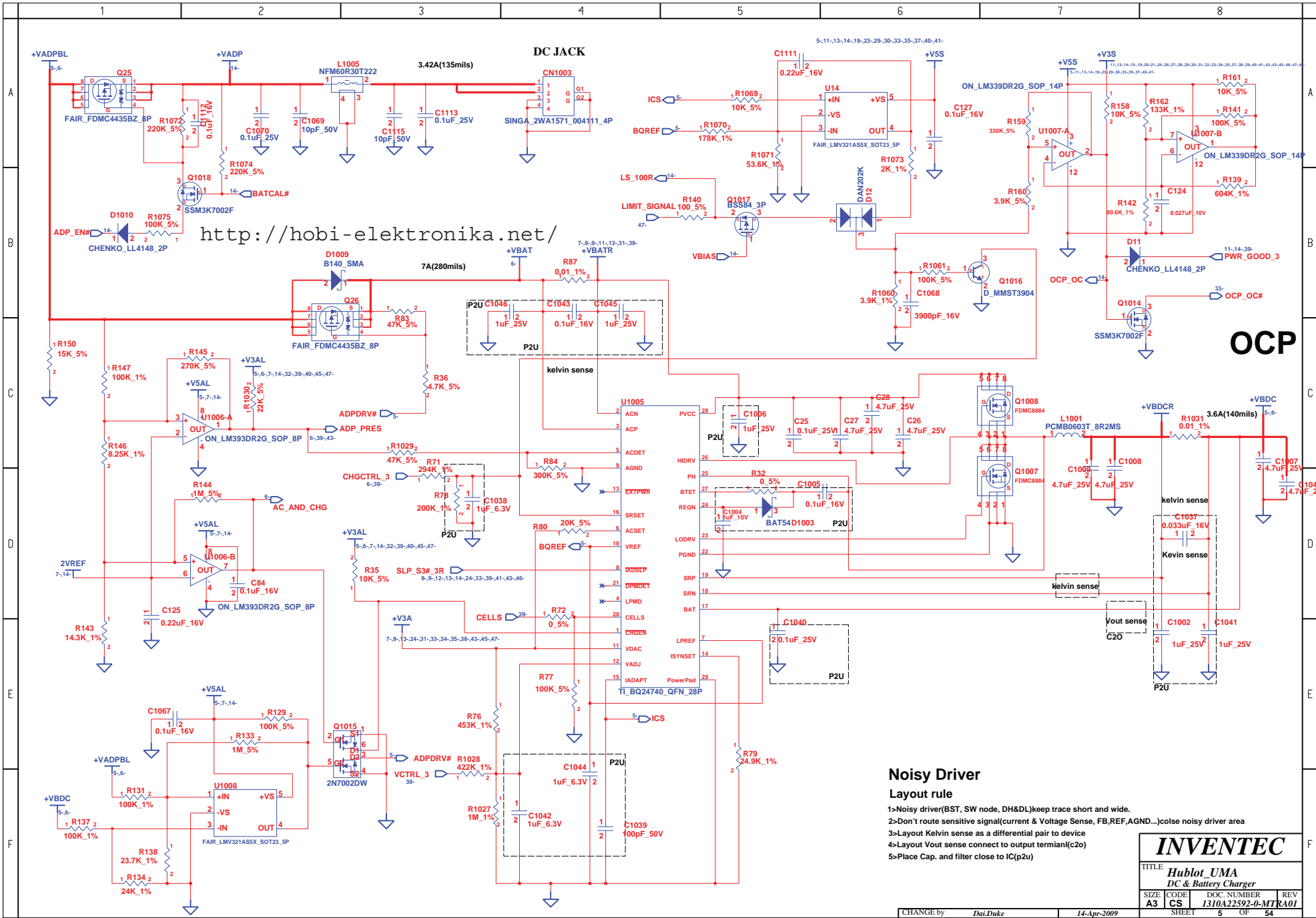


INVENTEC

TITLE
Hublot_UMA

SIZE A3	CODE CS	DOC. NUMBER 1310A22592-0-MTR	REV RA01
SHEET 4		OF 54	

CHANGE by Dal.Duke 14-Apr-2009



<http://hobi-elektronika.net/>

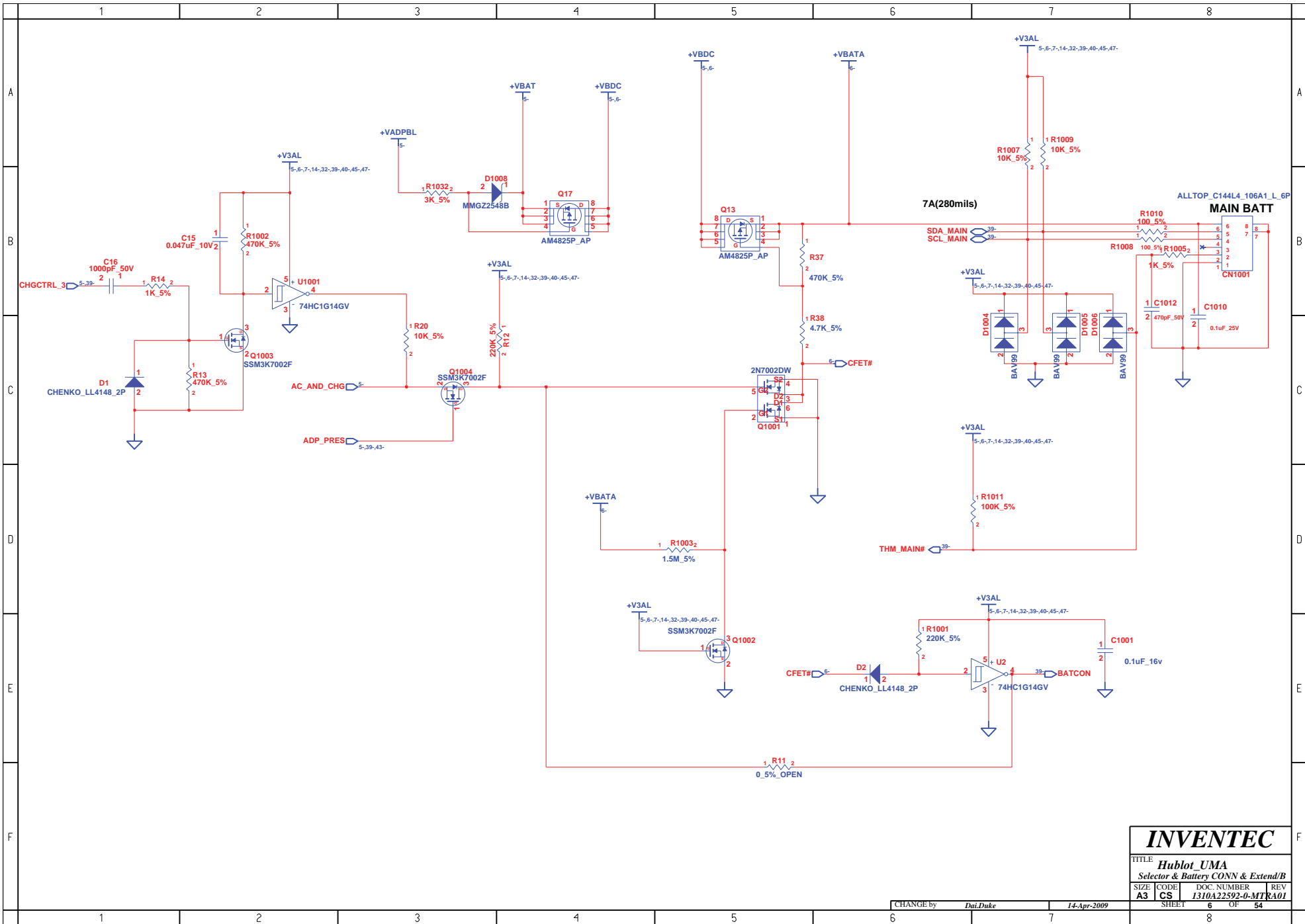
OCP

Noisy Driver

Layout rule

- 1>Noisy driver(BST, SW node, DH&DL)keep trace short and wide.
- 2>Don't route sensitive signal(current & Voltage Sense, FB,REF,AGND...)close noisy driver area
- 3>Layout Voltage sense as a differential pair to device
- 4>Layout Vout sense connect to output termian(c2o)
- 5>Place Cap. and filter close to IC(p2u)

INVENTEC			
TITLE Hublot_UMA			
DC & Battery Charger			
SIZE	CODE	DOC NUMBER	REV
A3	CS	1310A22592-0-MTR	RA01
CHANGE by		DATE	
DalDuke		14-Apr-2009	
SHEET		OF	
5		54	



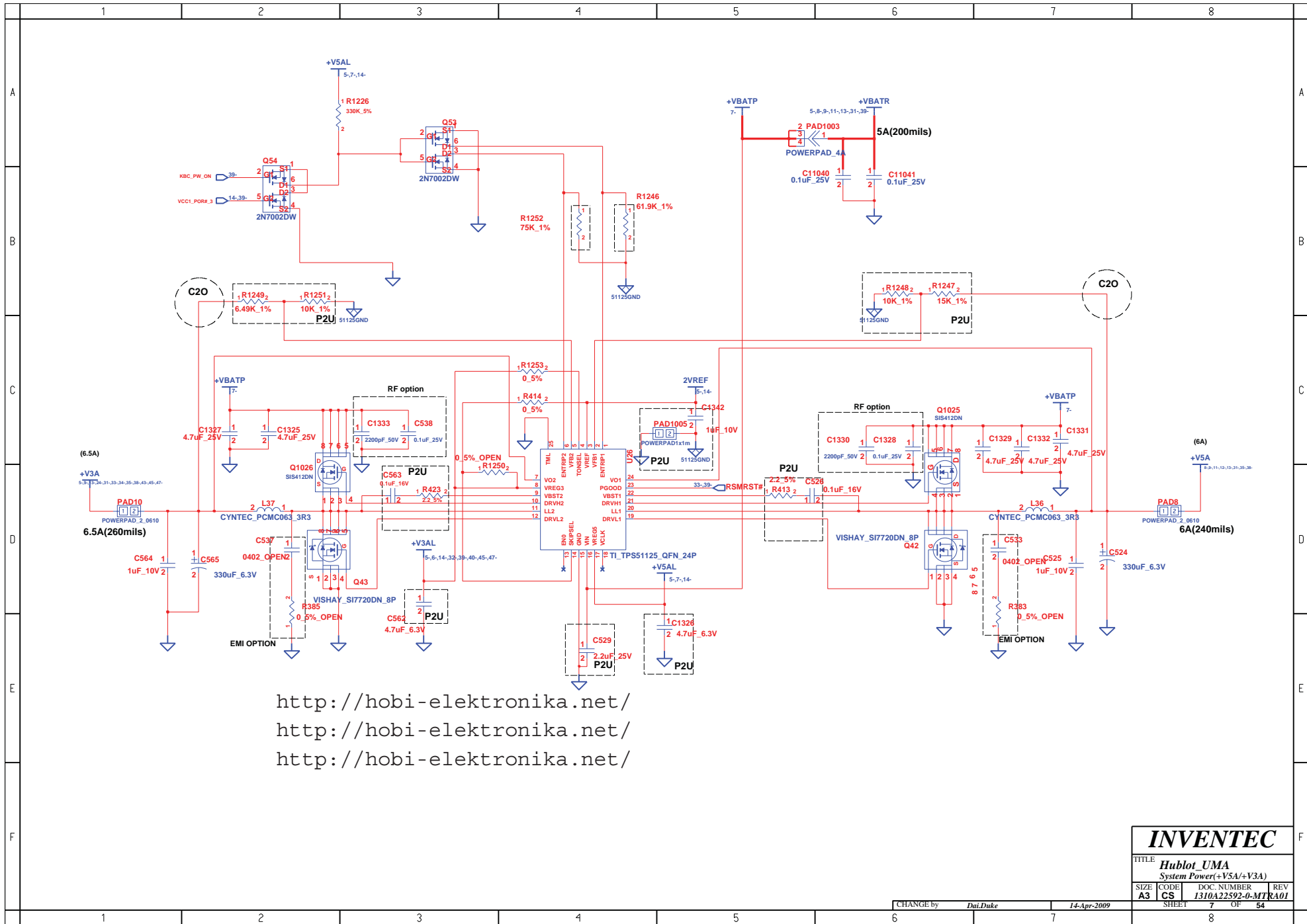
INVENTEC

TITLE
Hublot_UMA
 Selector & Battery CONN & Extend/B

SIZE A3	CODE CS	DOC NUMBER 1310A22592-0-MTR	REV A01
-------------------	-------------------	---------------------------------------	-------------------

CHANGE by *DalDuke* 14-Apr-2009

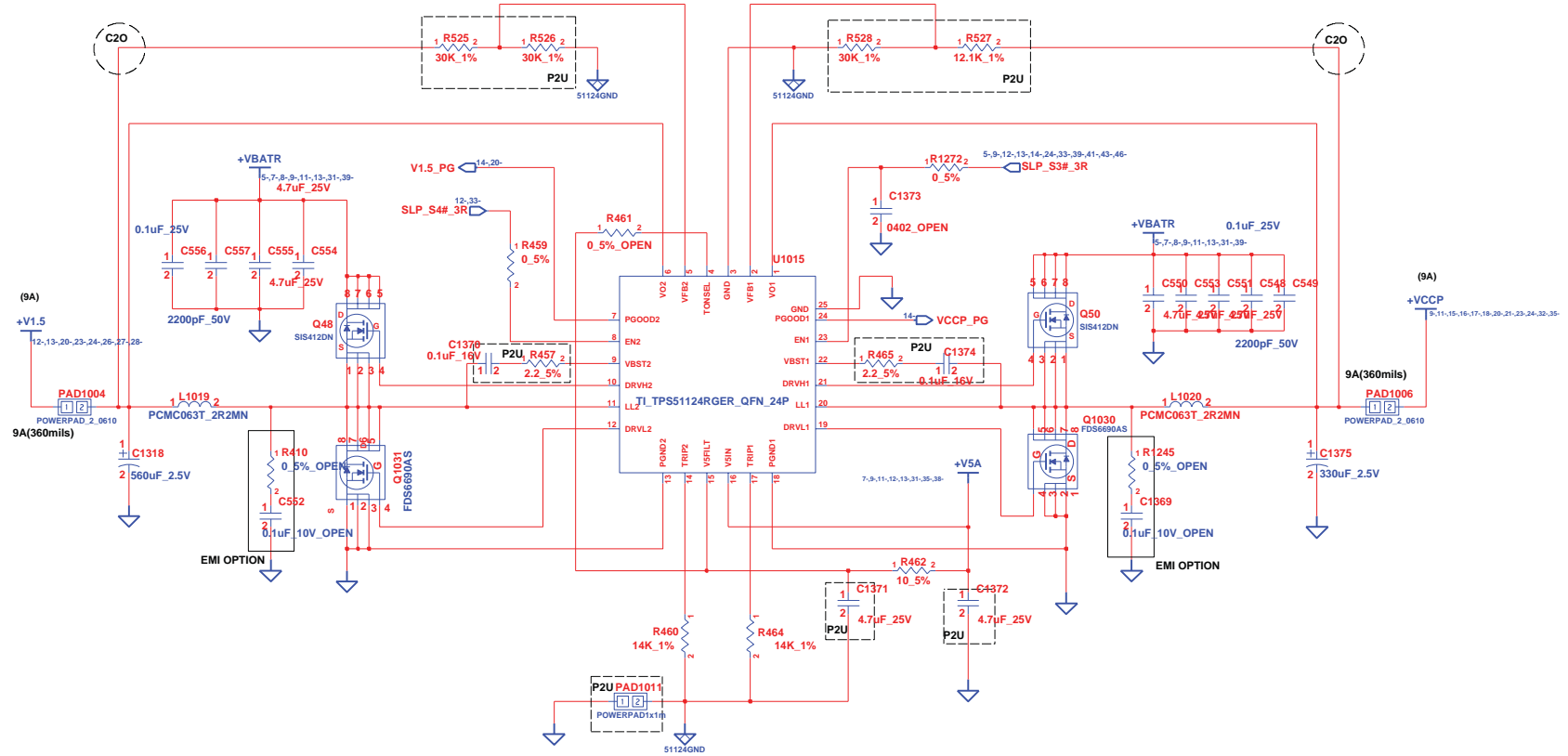
SHEET 6 OF 54



<http://hobi-elektronika.net/>
<http://hobi-elektronika.net/>
<http://hobi-elektronika.net/>

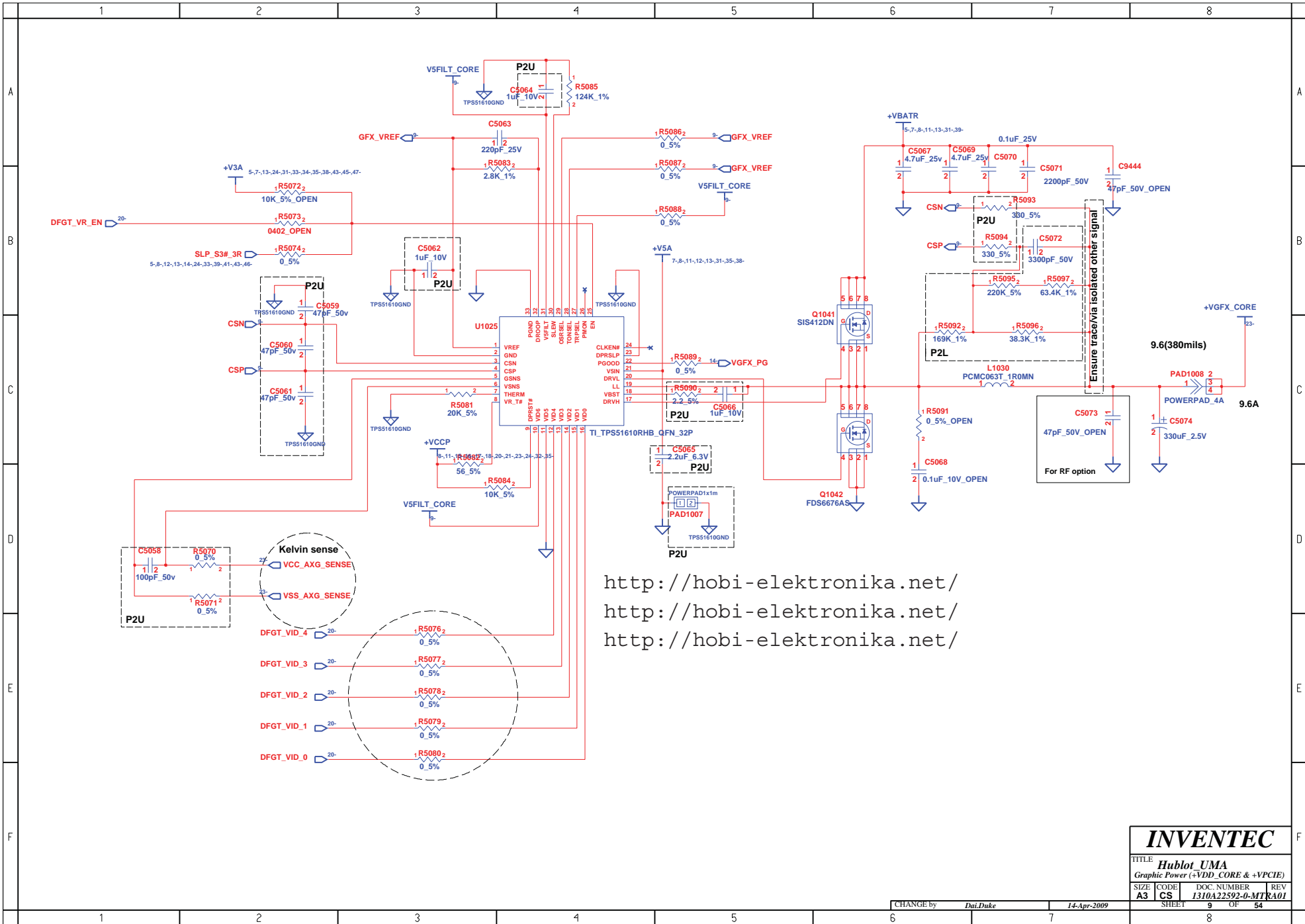
INVENTEC			
TITLE Hublot_UMA System Power(+V5A/+V3A)			
SIZE A3	CODE CS	DOC. NUMBER 1310A22592-0-MTR	REV A01
CHANGE by DalDuke		14-Apr-2009	
SHEET 7		OF 54	

<http://hobi-elektronika.net/>



INVENTEC

TITLE Hublot_UMA System Power(+V1.5/+VCCP)			
SIZE A3	CODE CS	DOC. NUMBER 1310A22592-0-MTR01	REV 1
CHANGE by Dal.Duke		14-Apr-2009	
SHEET 8		OF 54	

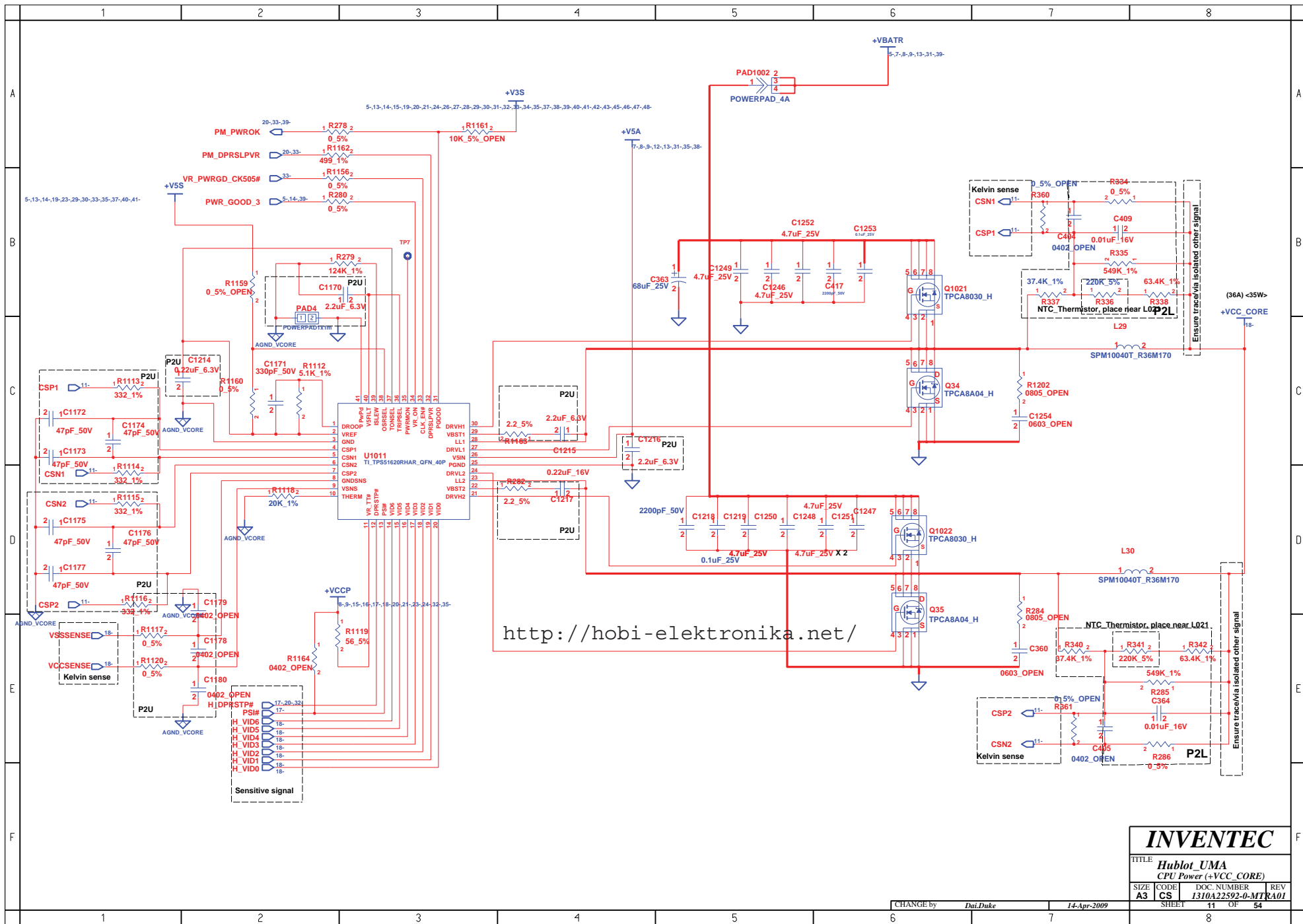


<http://hobi-elektronika.net/>
<http://hobi-elektronika.net/>
<http://hobi-elektronika.net/>

INVENTEC			
TITLE: Hublot_UMA			
Graphic Power (+VDD_CORE & +VPCIE)			
SIZE: A3	CODE: CS	DOC. NUMBER: 1310A22592-0-MTR	REV: 1A01
CHANGE by: <i>DalDuke</i>		14-Apr-2009	
SHEET 1		OF 54	

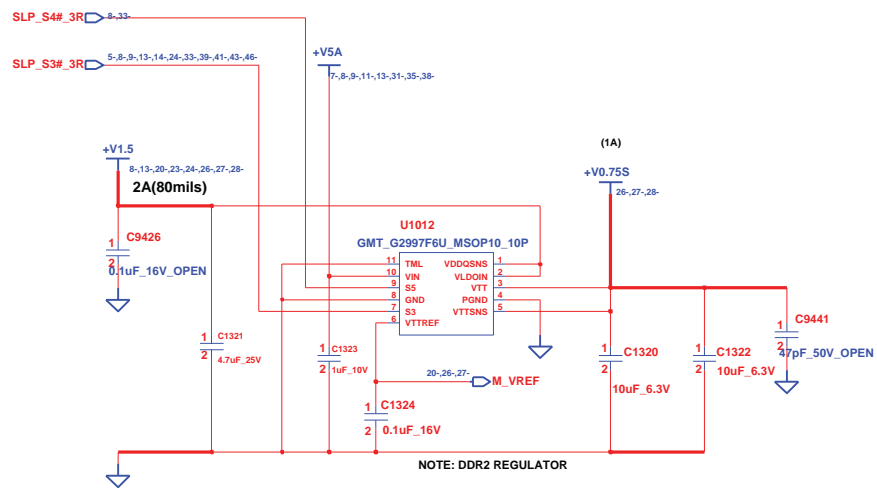
BLANK

INVENTEC			
TITLE <i>Hublot_UMA</i>			
System Power (+V1.5S)			
SIZE	CODE	DOC. NUMBER	REV
A3	CS	1310A22592-0-MT	R01
CHANGE by <i>Dal.Duke</i>		14-Apr-2009	
SHEET		10	OF 54



<http://hobi-elektronika.net/>

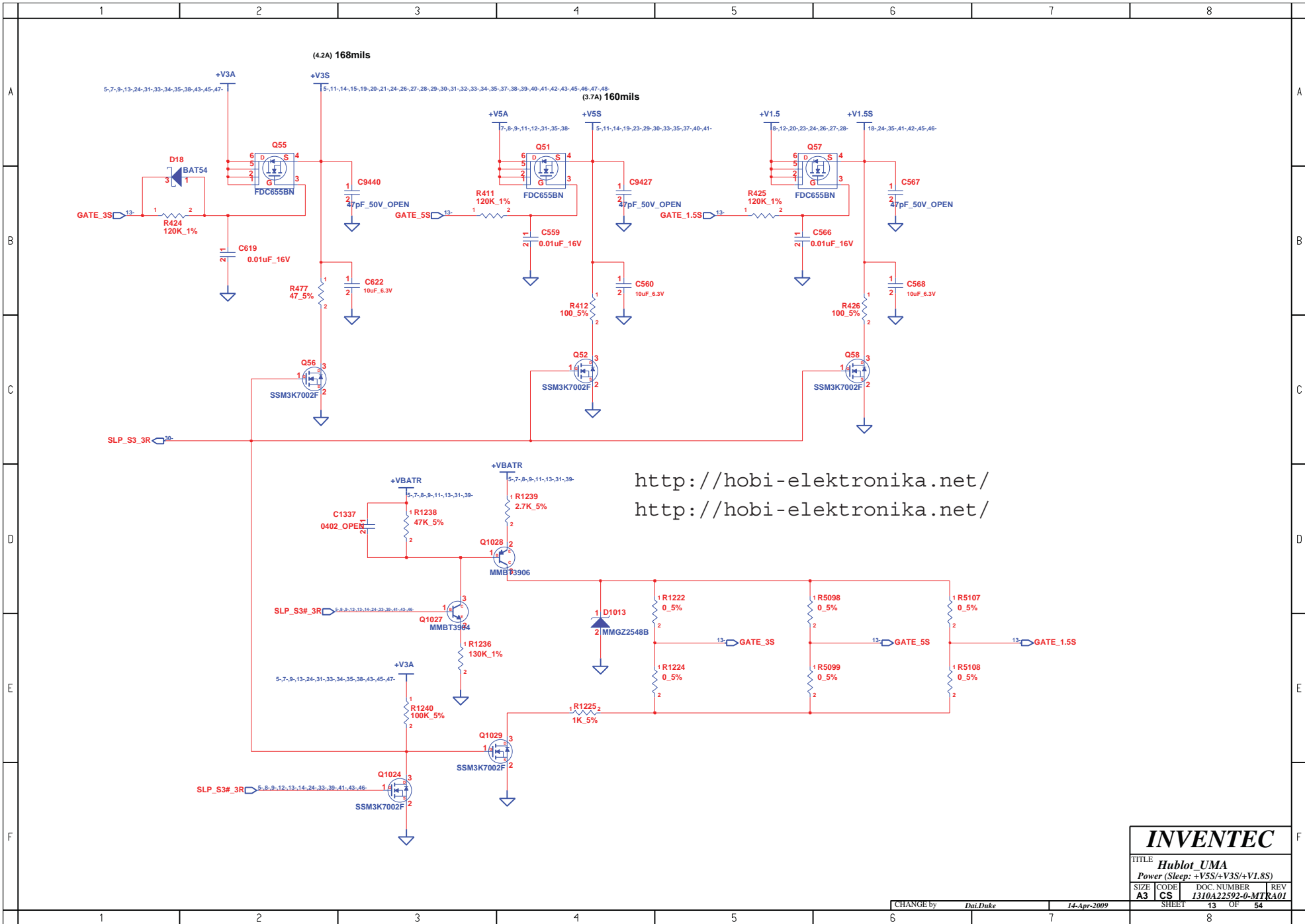
INVENTEC			
TITLE			
Hublot_UMA			
CPU Power (+VCC_CORE)			
SIZE	CODE	DOC. NUMBER	REV
A3	CS	1310A22592-0-MT	R01
CHANGE by		SHEET	
DalDuke		11 OF 54	
14-Apr-2009			



<http://hobi-elektronika.net/>

INVENTEC			
TITLE Hublot_UMA			
DDR Termination Voltage (+V0.9S)			
SIZE	CODE	DOC. NUMBER	REV
A3	CS	1310A22592-0-MT	RA01
CHANGE by		SHEET	
DalDuke		12 OF 54	

CHANGE by DalDuke 14-Apr-2009

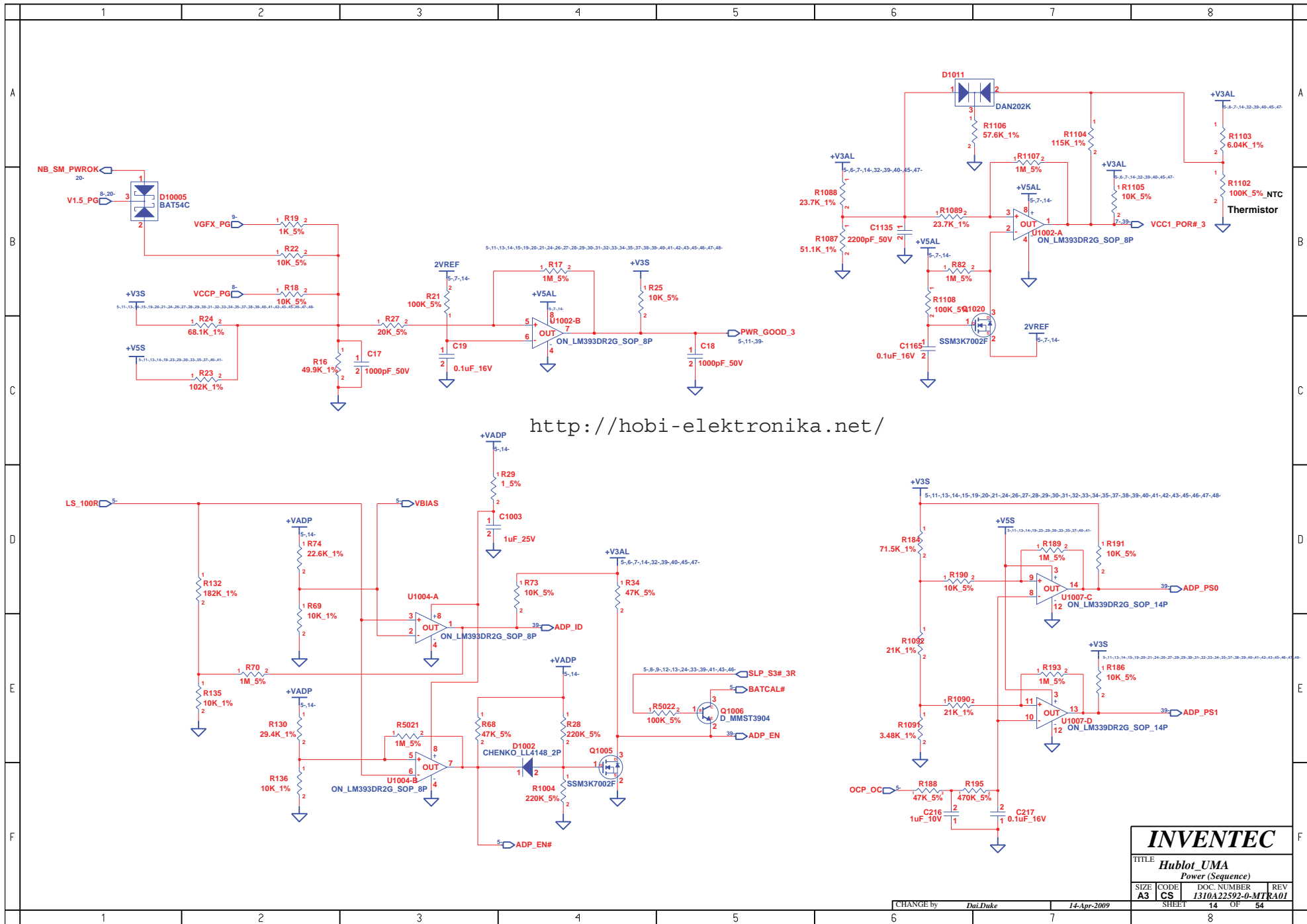


<http://hobi-elektronika.net/>
<http://hobi-elektronika.net/>

INVENTEC

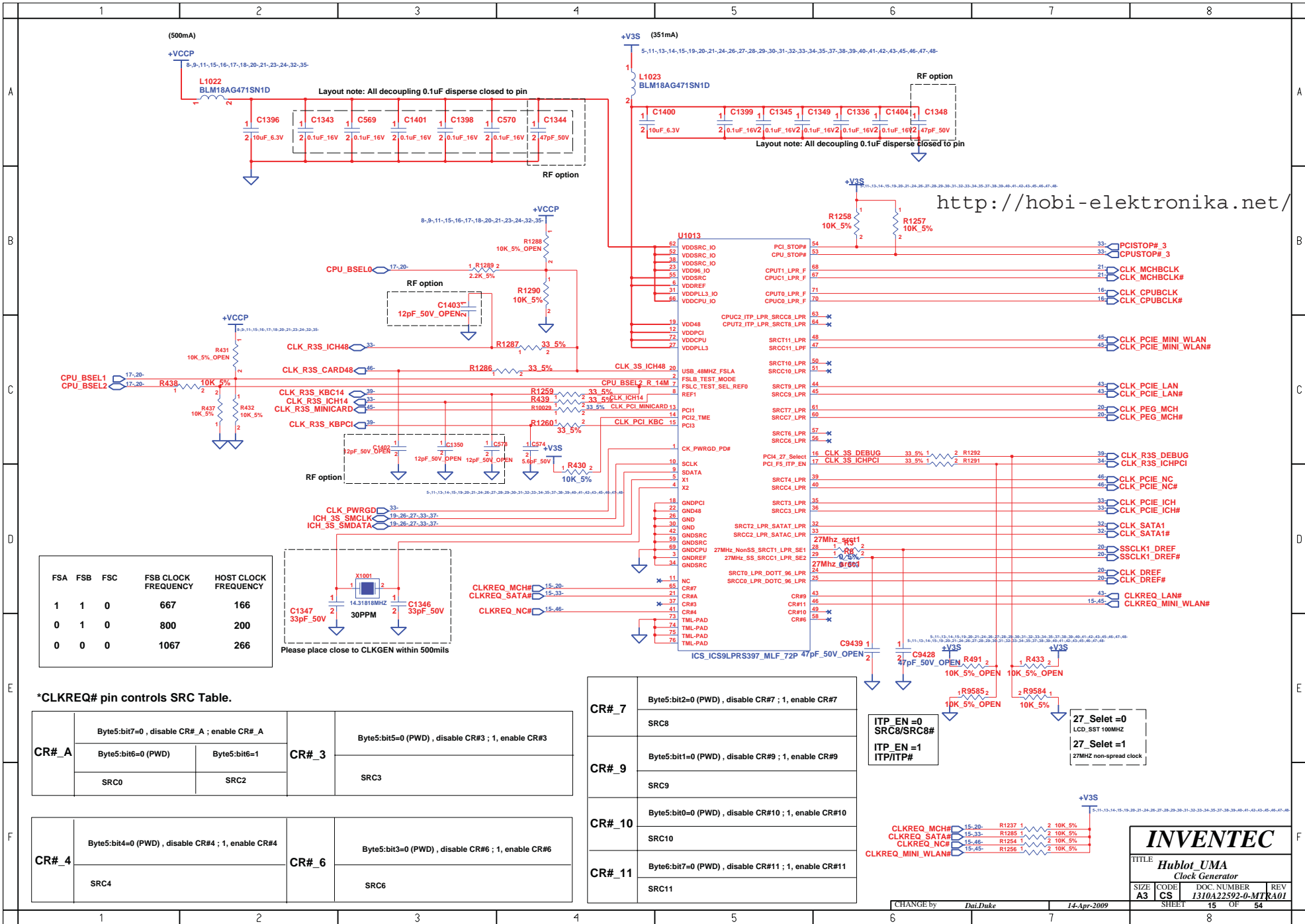
TITLE			
Hublot_UMA			
Power (Sleep: +VSS/+V3S/+V1.5S)			
SIZE	CODE	DOC NUMBER	REV
A3	CS	1310A22592-0-MTR	A01
SHEET			OF
13			54

CHANGE by DalDuke 14-Apr-2009



<http://hobi-elektronika.net/>

INVENTEC			
TITLE <i>Hublot_UMA</i>			
Power (Sequence)			
SIZE A3	CODE CS	DOC NUMBER 1310A22592-0-MTR#01	REV 1
CHANGE by Dul.Duke		14-Apr-2009	
SHEET 14		OF 54	



<http://hobi-elektronika.net/>

FSA	FSB	FSC	FSB CLOCK FREQUENCY	HOST CLOCK FREQUENCY
1	1	0	667	166
0	1	0	800	200
0	0	0	1067	266

*CLKREQ# pin controls SRC Table.

CR#_A	Byte5:bit=0 (PWD), disable CR#_A ; enable CR#_A	Byte5:bit=1 (PWD)	CR#_3	Byte5:bit=0 (PWD), disable CR#3 ; 1, enable CR#3
	Byte5:bit=0 (PWD)	Byte5:bit=1		SRC3
	SRC0	SRC2		
CR#_4	Byte5:bit=0 (PWD), disable CR#4 ; 1, enable CR#4	Byte5:bit=3=0 (PWD), disable CR#6 ; 1, enable CR#6	CR#_6	Byte5:bit=3=0 (PWD), disable CR#6 ; 1, enable CR#6
	SRC4			SRC6

CR#_7	Byte5:bit=2=0 (PWD), disable CR#7 ; 1, enable CR#7
	SRC8
CR#_9	Byte5:bit=1=0 (PWD), disable CR#9 ; 1, enable CR#9
	SRC9
CR#_10	Byte5:bit=0 (PWD), disable CR#10 ; 1, enable CR#10
	SRC10
CR#_11	Byte6:bit=7=0 (PWD), disable CR#11 ; 1, enable CR#11
	SRC11

ITP_EN=0
SRC8/SRC8#

ITP_EN=1
ITP/ITP#

27_Select=0
LCD_SST 100MHz

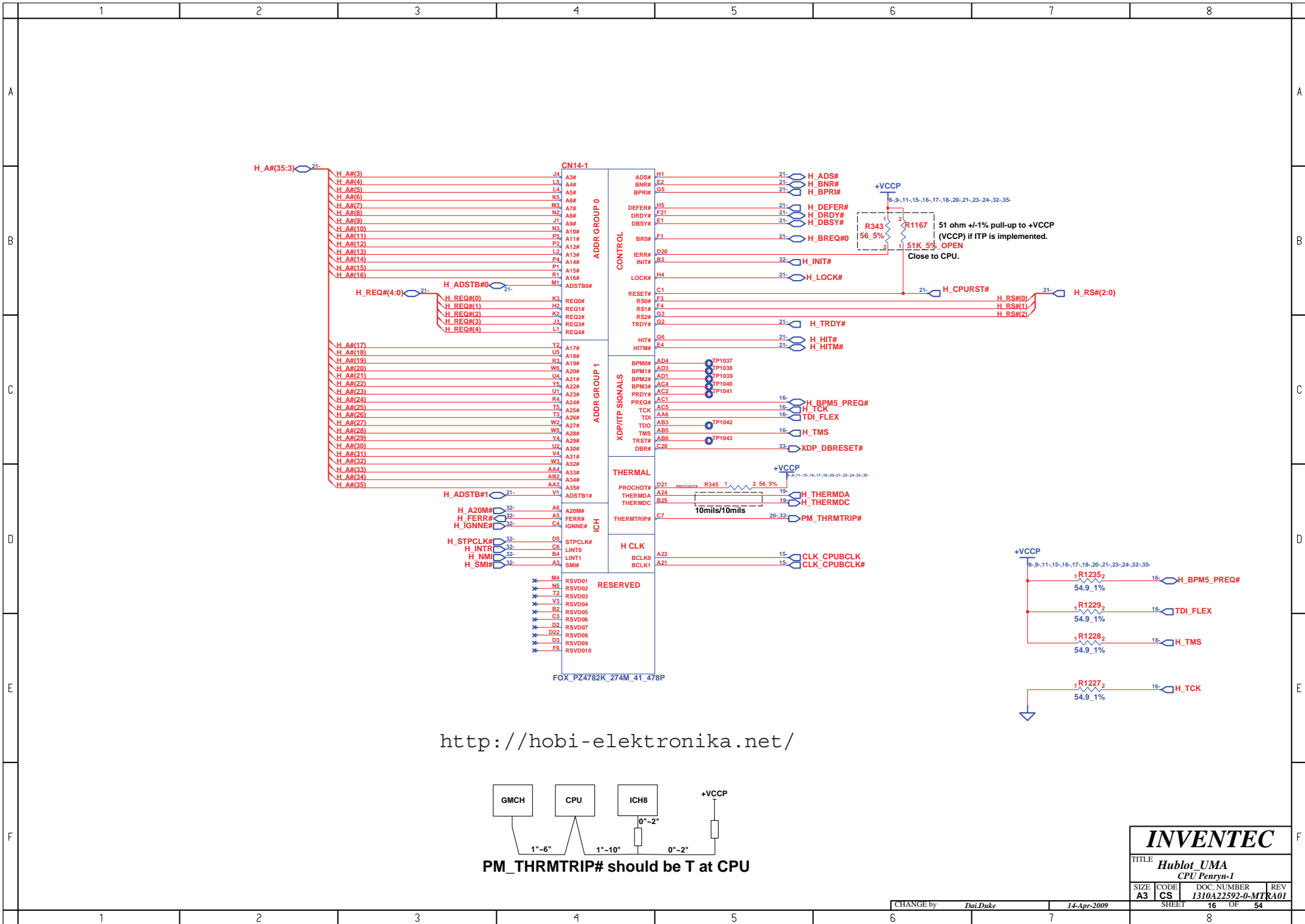
27_Select=1
27MHz non-spread clock

INVENTEC

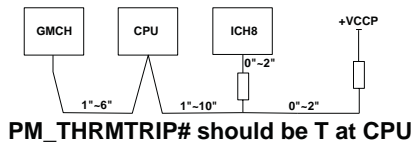
TITLE
Hublot_UMA
Clock Generator

SIZE A3	CODE CS	DOC. NUMBER 1310A22592-0-MTR	REV A01
------------	------------	---------------------------------	------------

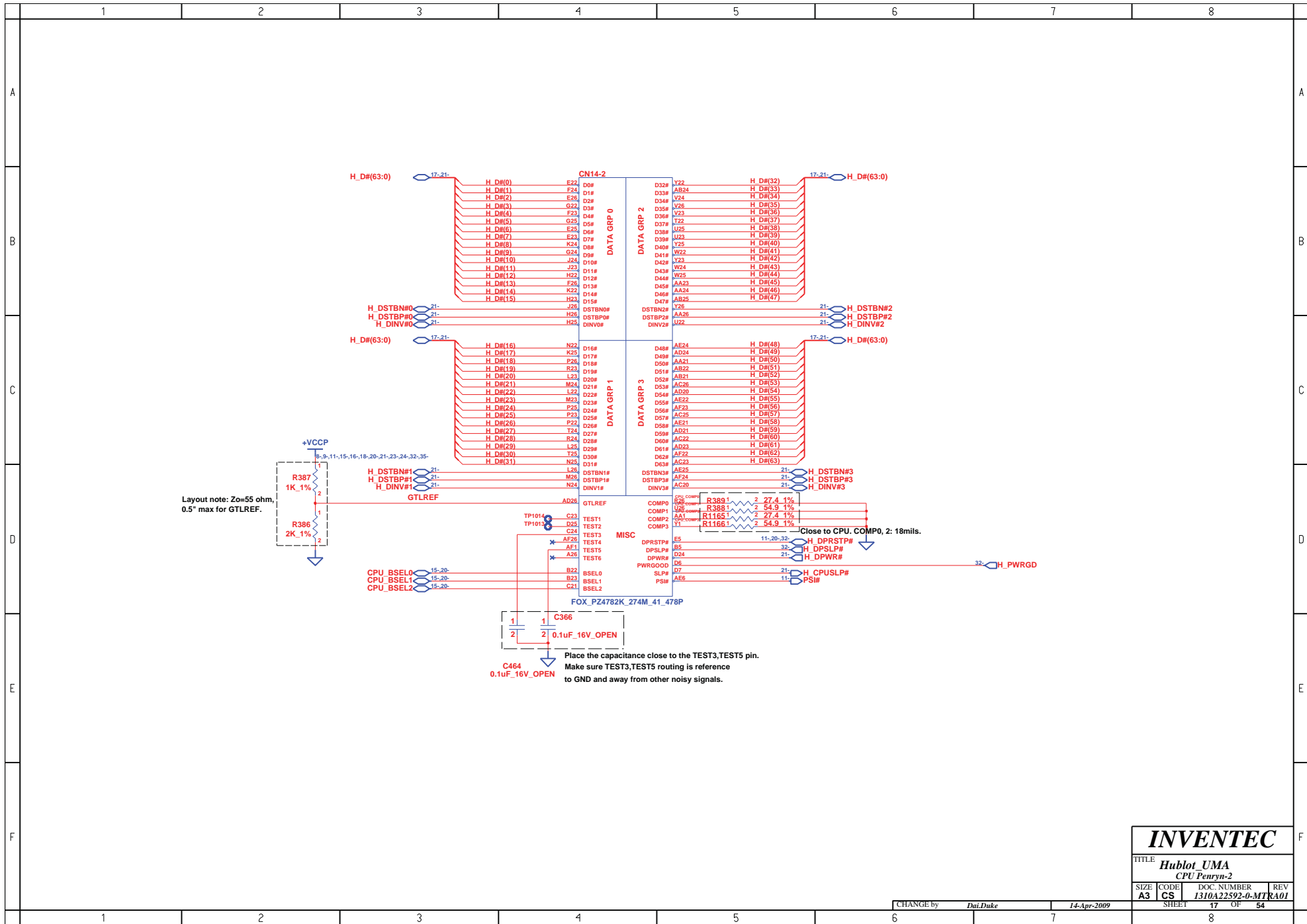
CHANGE by *DalDuke* 14-Apr-2009 SHEET 15 OF 54

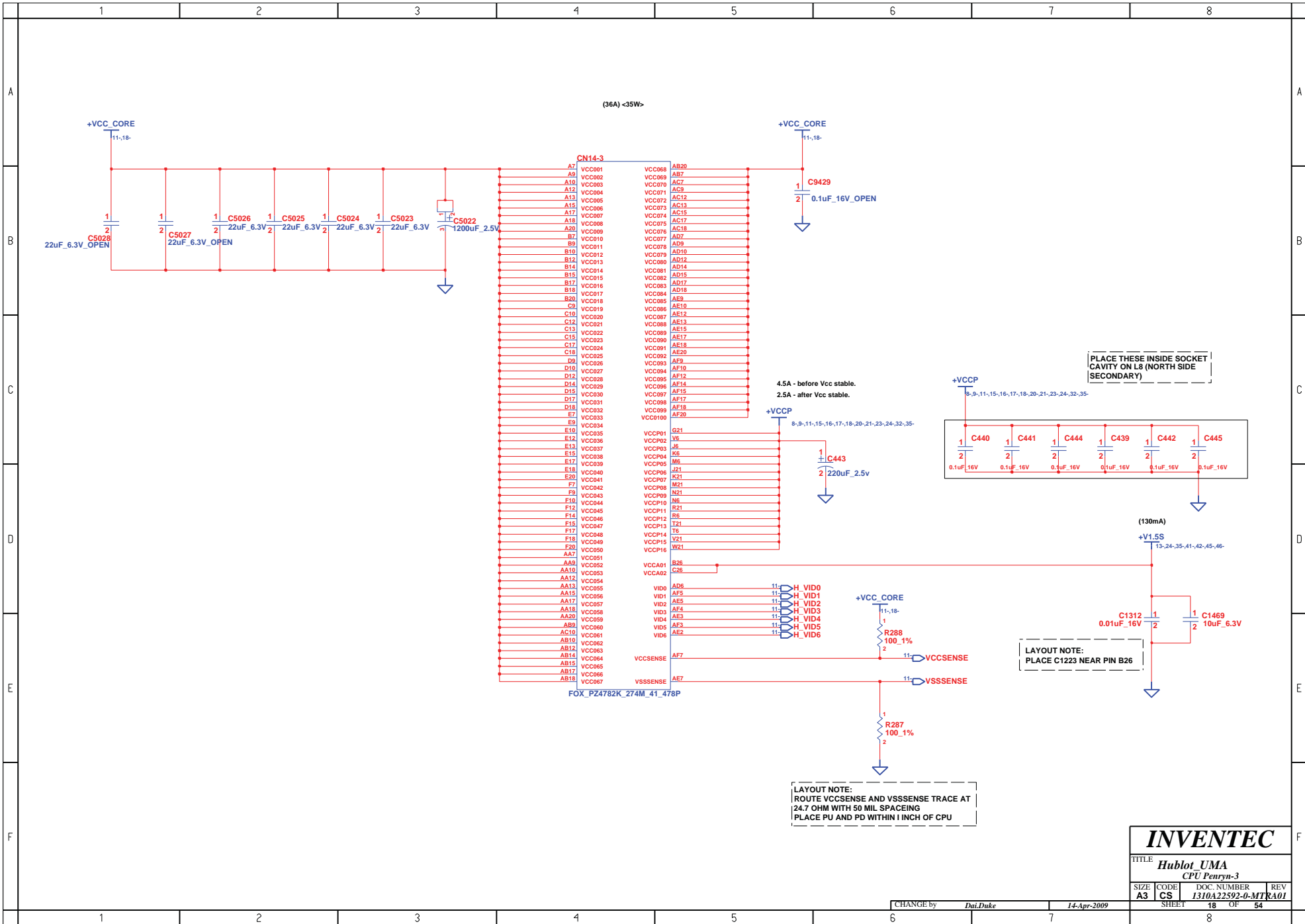


<http://hobi-elektronika.net/>



INVENTEC			
TITLE Hublot_UMA CPU Penryn-1			
SIZE A3	CODE CS	DOC. NUMBER 1310A22592-0-MTR	REV A01
CHANGE by DalDuke		14-Apr-2009	
SHEET 16		OF 54	

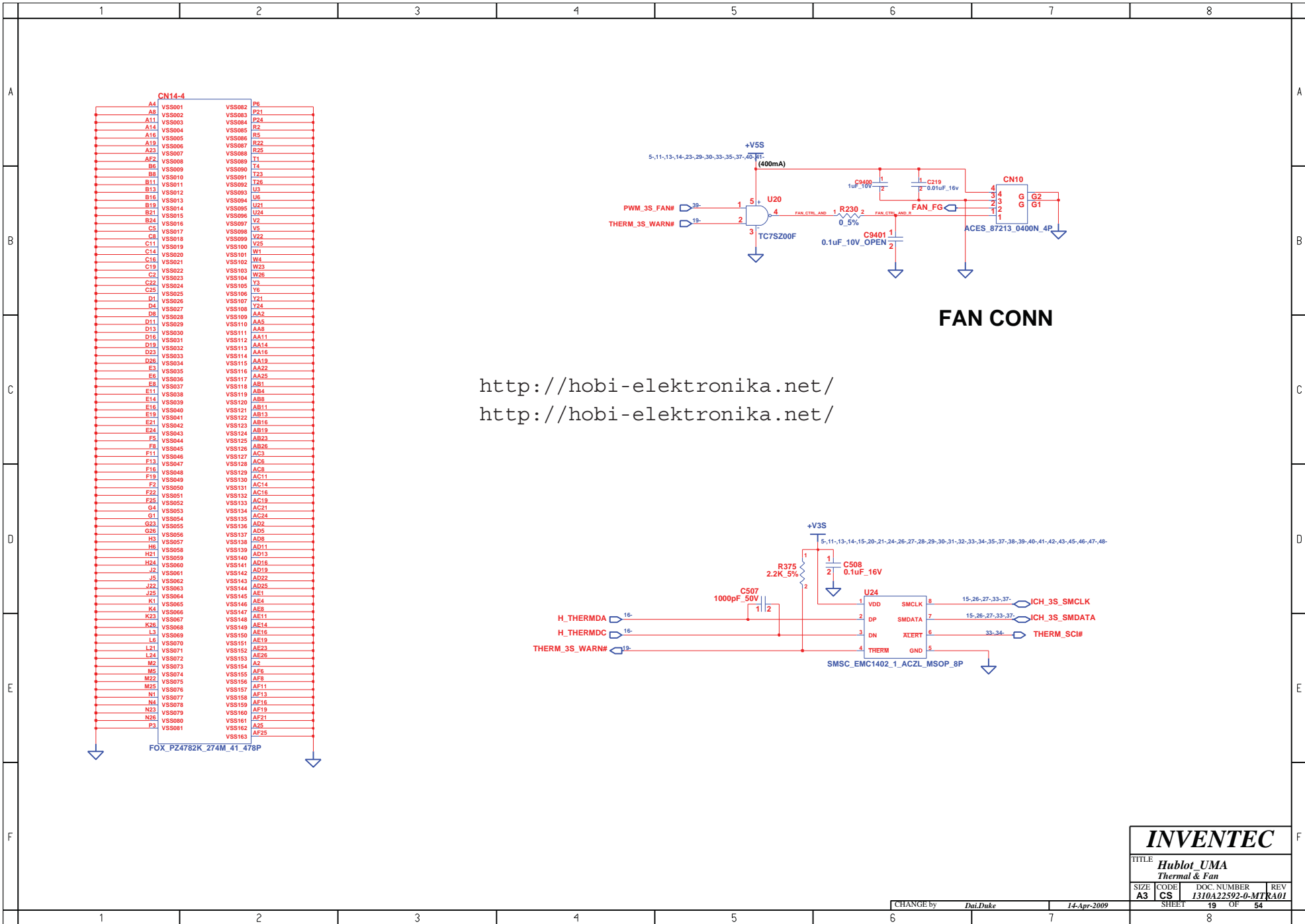




INVENTEC

TITLE			
Hublot_UMA			
CPU Penryn-3			
SIZE	CODE	DOC. NUMBER	REV
A3	CS	I310A22592-0-MTR	A01
SHEET			OF
18			54

CHANGE by *DalDuke* 14-Apr-2009

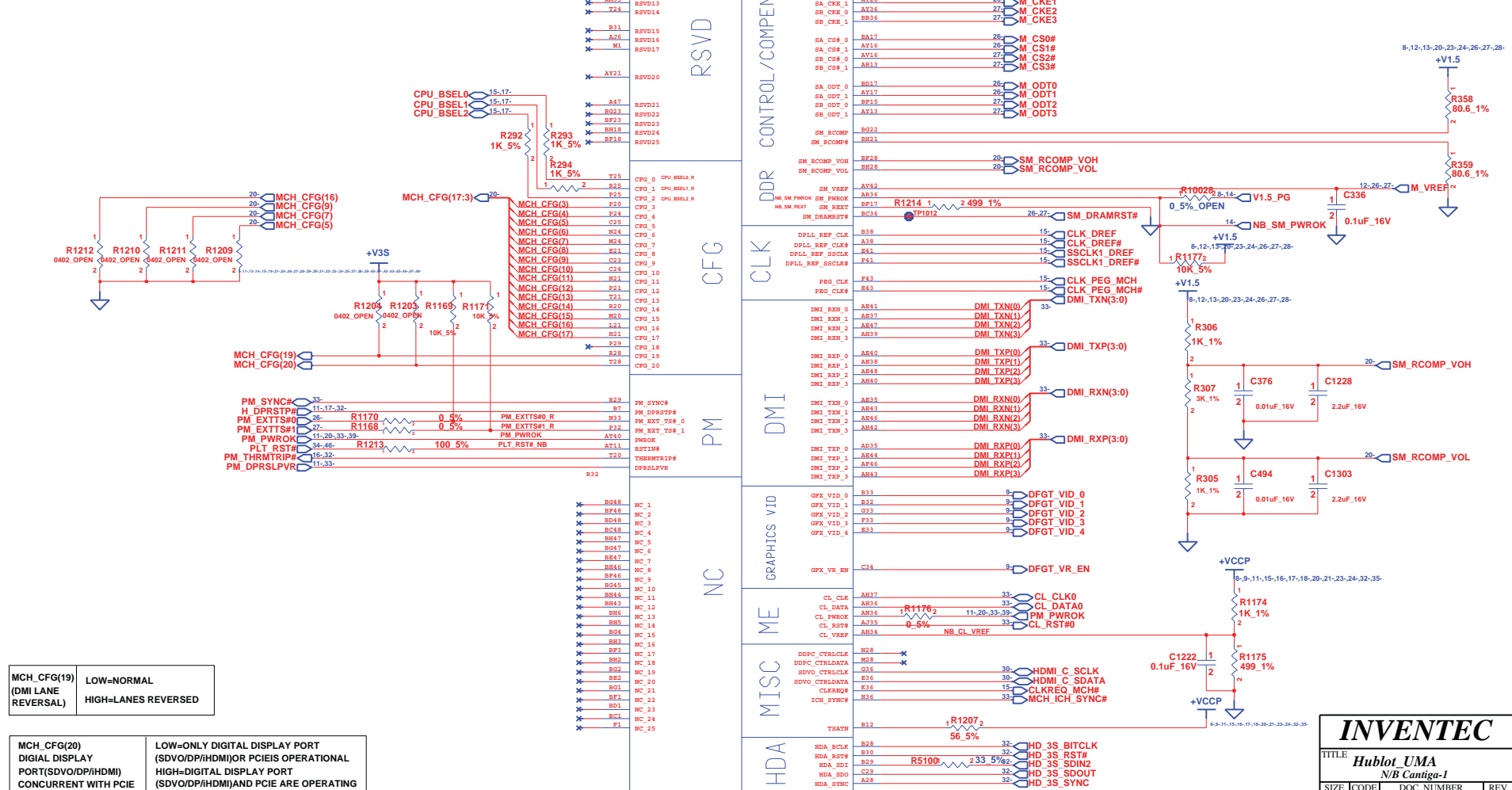


INVENTEC			
TITLE Hublot_UMA Thermal & Fan			
SIZE A3	CODE CS	DOC. NUMBER 1310A22592-0-MTR#A01	REV 19
CHANGE by DalDuke		14-Apr-2009	
SHEET 19		OF 54	

MCH_CFG(5)	LOW=DMIX2 HIGH=DMIX4	MCH_CFG(7) (CPU Strap)	LOW=RSVD HIGH=Mobile CPU	MCH_CFG(9) PCIE Graphics Lane	LOW=Reverse Lane HIGH=Normal operation
MCH_CFG(13:12)	00=PARTIAL CLOCK GATING DISABLE 01=XOR MODE ENABLE 10=ALL-Z MODE ENABLE 11=NORMAL OPERATION	MCH_CFG(16) (FSB Dynamic ODT)	LOW=Dynamic ODT Disable HIGH=Dynamic ODT Enable		

NOTE : USE 4K-OHM RESISTOR WHEN INSTALLING PULL-UP/PULL-DOWN RESISTOR ON ANY MCH-CFG CONNECTION/PINS.

NOTE: CFG[2:0] STRP : 011b : 667 MT/S
010 : 800 MT/S
000 : 1067 MT/S



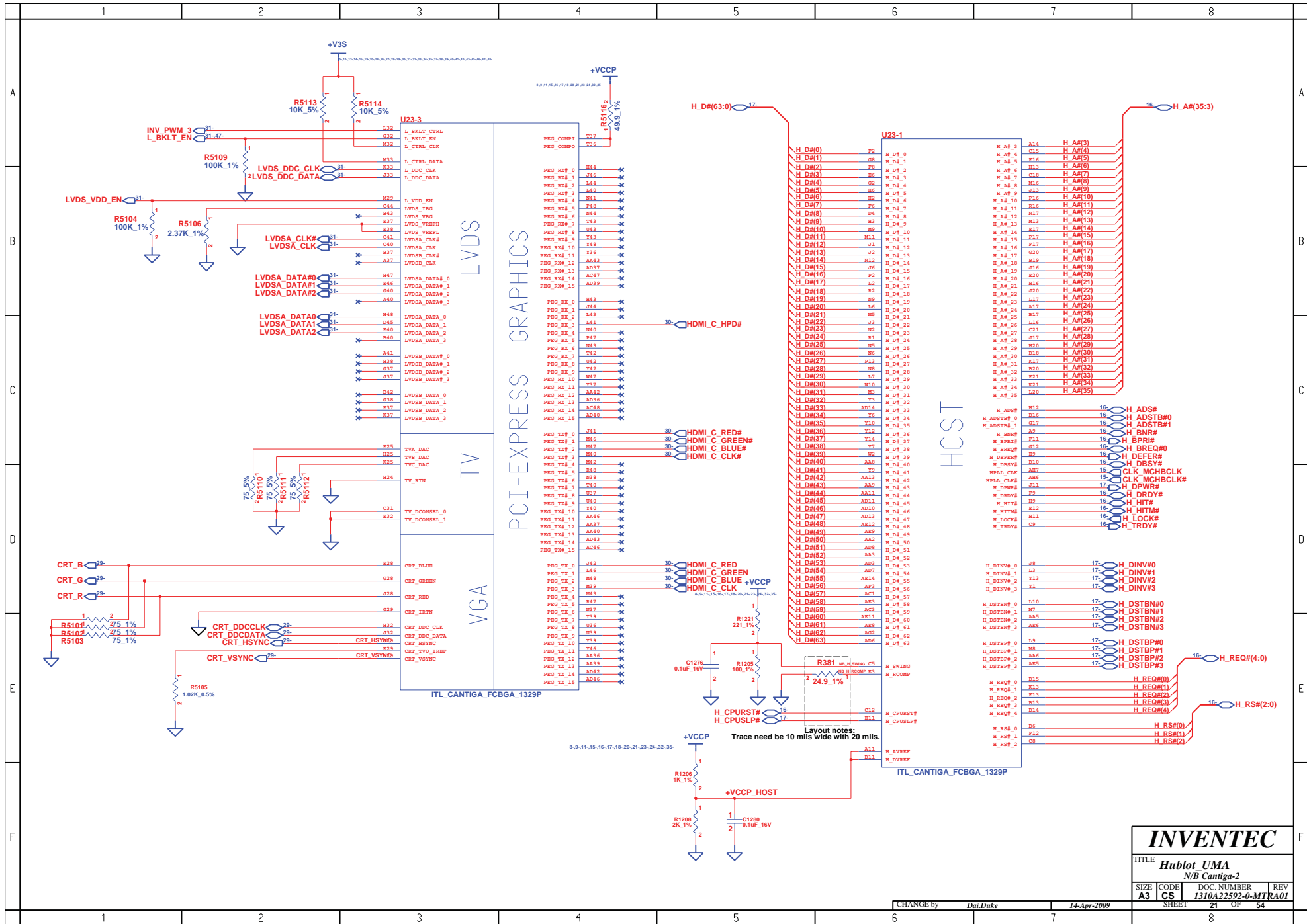
MCH_CFG(19) (DMI LANE REVERSAL)	LOW=NORMAL HIGH=LANES REVERSED
---------------------------------------	-----------------------------------

MCH_CFG(20) DIGITAL DISPLAY PORT(SDVOD/DP/HDMI) CONCURRENT WITH PCIE	LOW=ONLY DIGITAL DISPLAY PORT (SDVOD/DP/HDMI)OR PCIE5 OPERATIONAL HIGH=DIGITAL DISPLAY PORT (SDVOD/DP/HDMI)AND PCIE ARE OPERATING VIA THE PEG PORT
---	--

INVENTEC

TITLE: **Hublot_UMA**
N/B Cantiga-1

SIZE A3	CODE CS	DOC. NUMBER 1310A22592-0-MT	REV A01
SHEET		20	OF 54



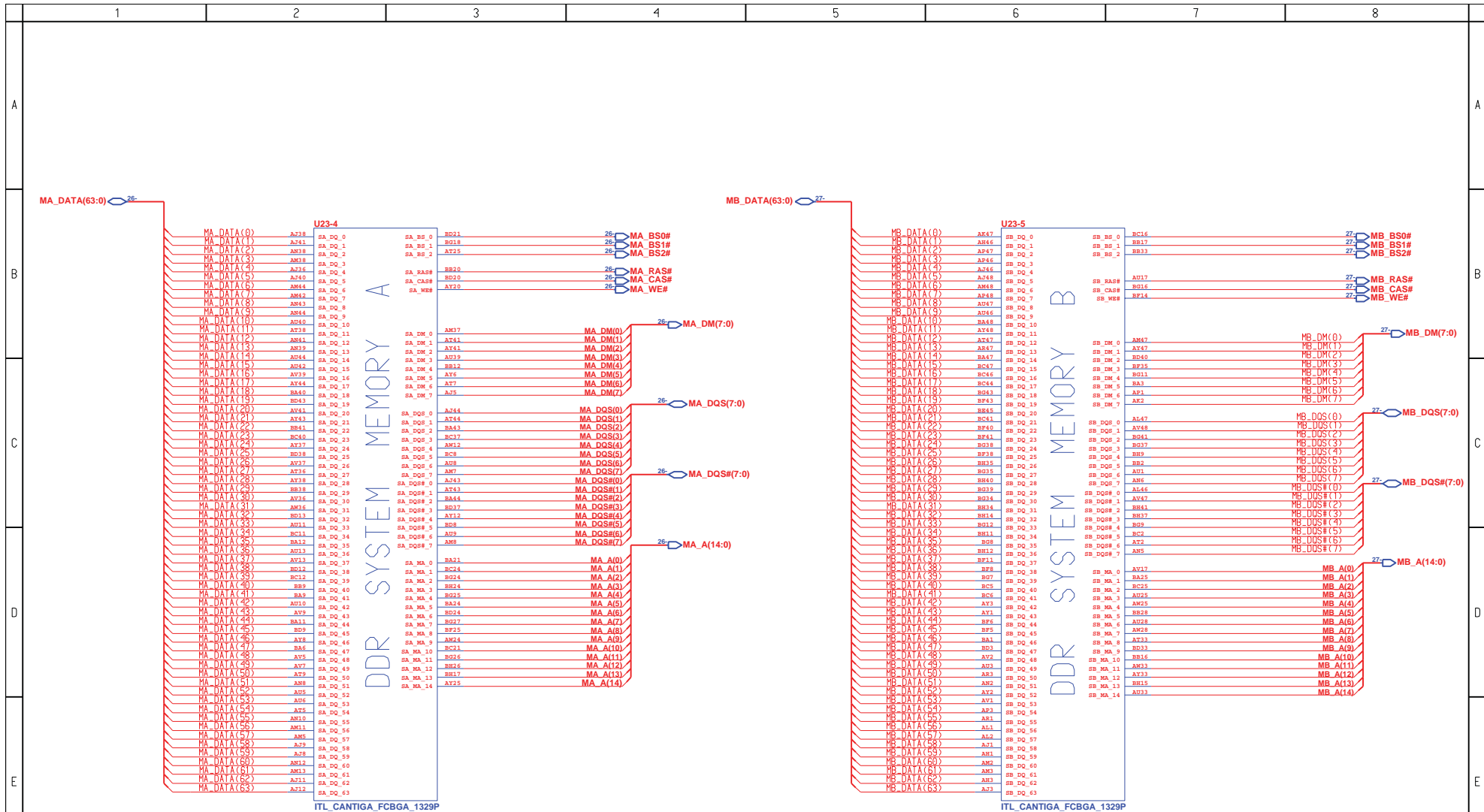
INVENTEC

TITLE: **Hublot_UMA**
N/B Cantiga-2

SIZE	CODE	DOC. NUMBER	REV
A3	CS	1310A22592-0-MTR	A01

CHANGE by: *DalDuke* 14-Apr-2009

SHEET 21 OF 54



<http://hobi-elektronika.net/>

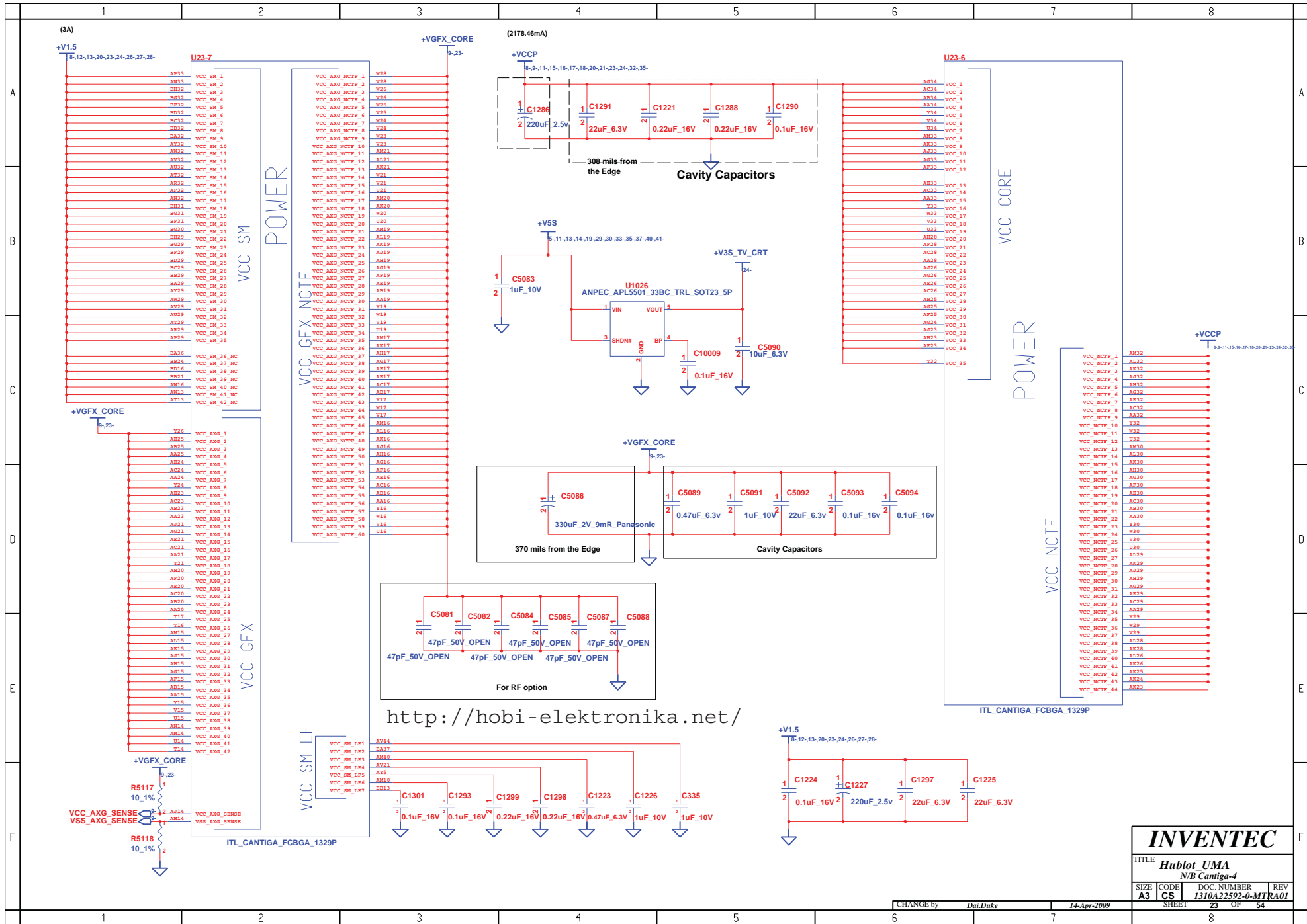
INVENTEC

TITLE
Hublot_UMA
N/B Cantiga-3

SIZE A3	CODE CS	DOC. NUMBER 1310A22592-0-MTR	REV A01
------------	------------	---------------------------------	------------

CHANGE by DalDuke 14-Apr-2009

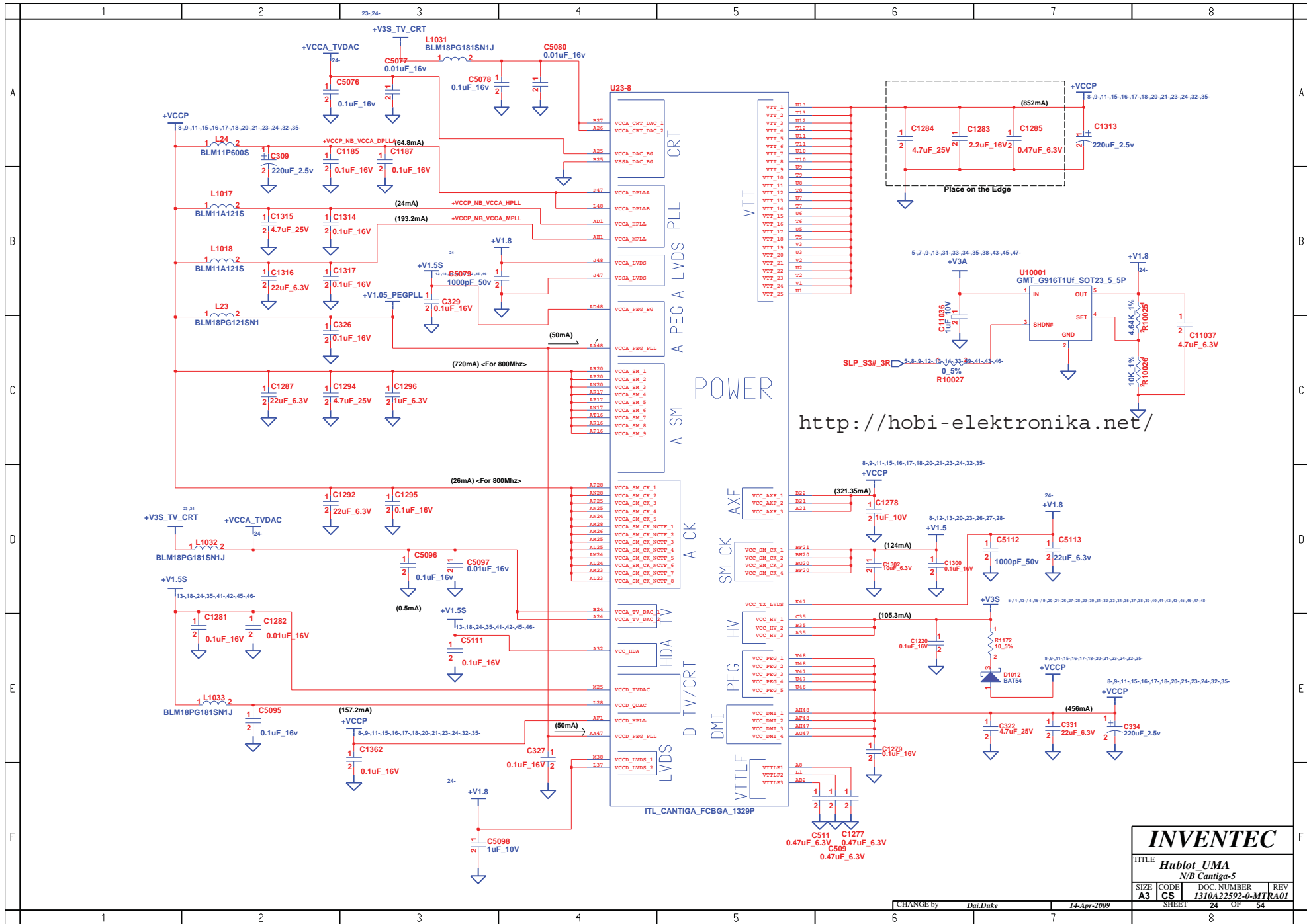
SHEET 22 OF 54



<http://hobi-elektronika.net/>

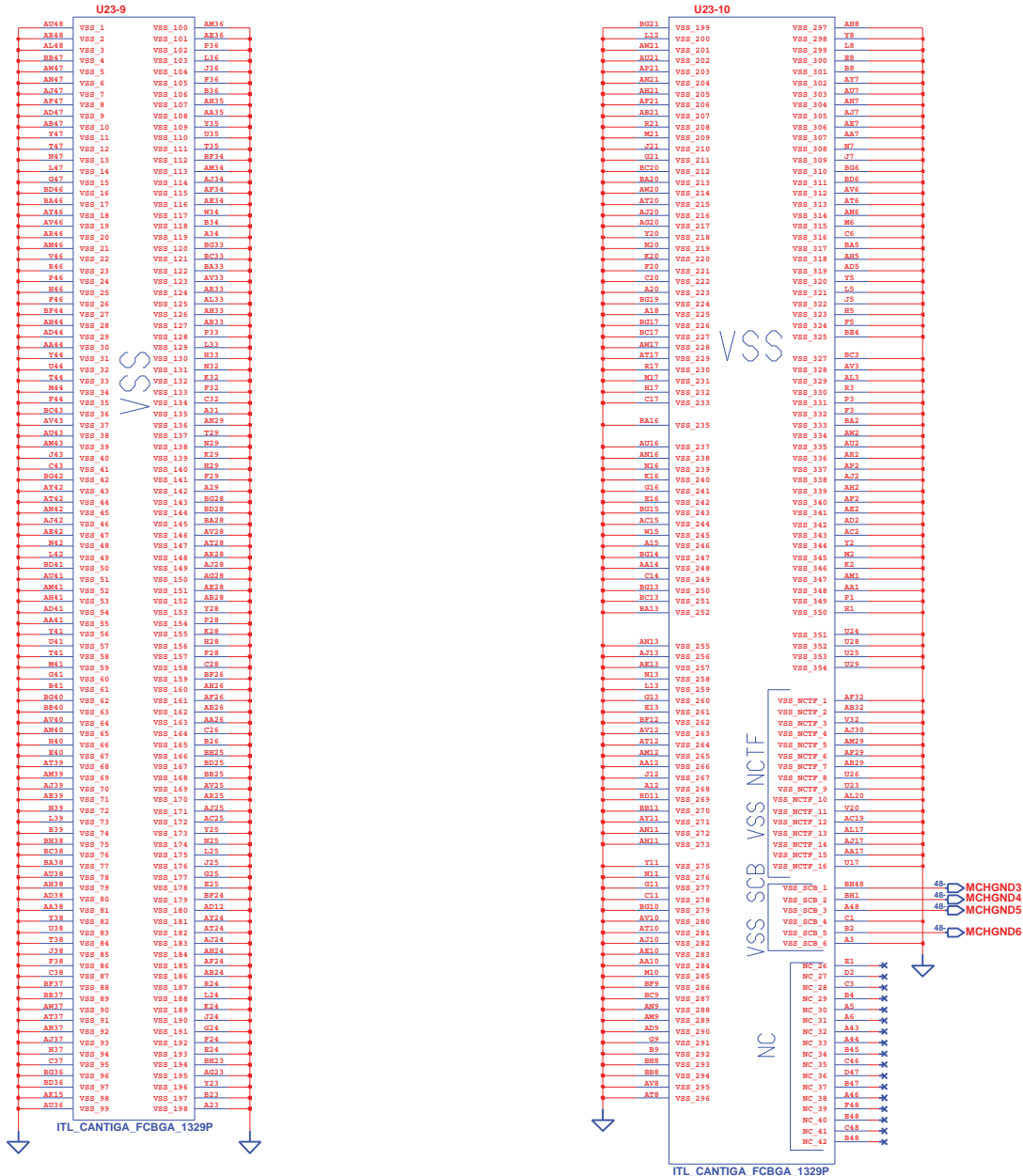
INVENTEC			
TITLE: Hublot_UMA N/B Cantiga-4			
SIZE	CODE	DOC. NUMBER	REV
A3	CS	1310A22592-0-MTR	A01
SHEET		OF	
23		54	

CHANGE by DalDuke 14-Apr-2009

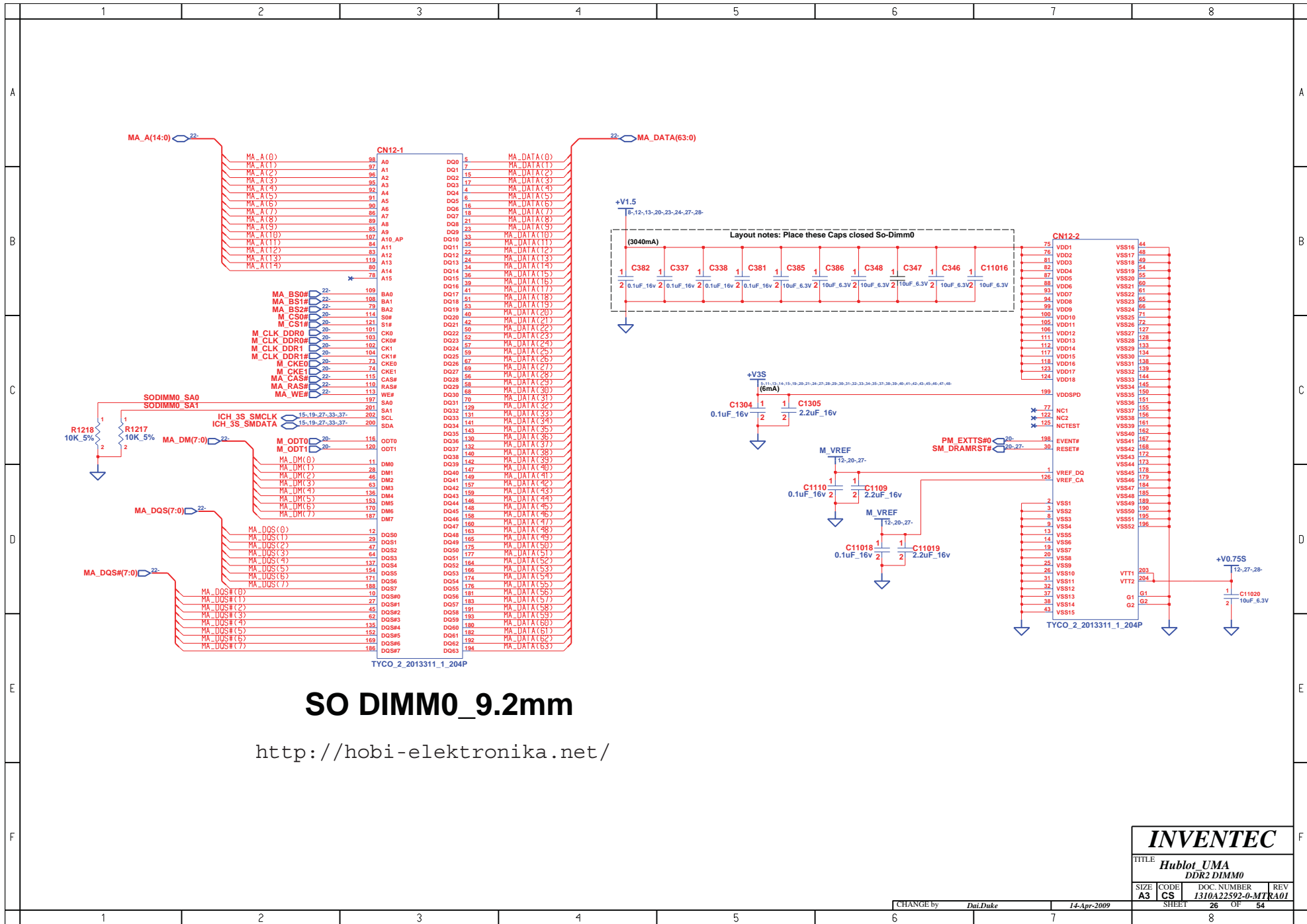


INVENTEC			
TITLE Hublot_UMA N/B Cantiga-S			
SIZE A3	CODE CS	DOC NUMBER 1310A22592-0-MTR	REV A01
CHANGE by <i>DalDuke</i>		14-Apr-2009	
SHEET 24		OF 54	

http://hobi-elektronika.net/



INVENTEC			
TITLE Hublot_UMA N/B Cantiga-6			
SIZE A3	CODE CS	DOC. NUMBER 1310A22592-0-MTR	REV A01
CHANGE by DalDuke		14-Apr-2009	
SHEET 25		OF 54	



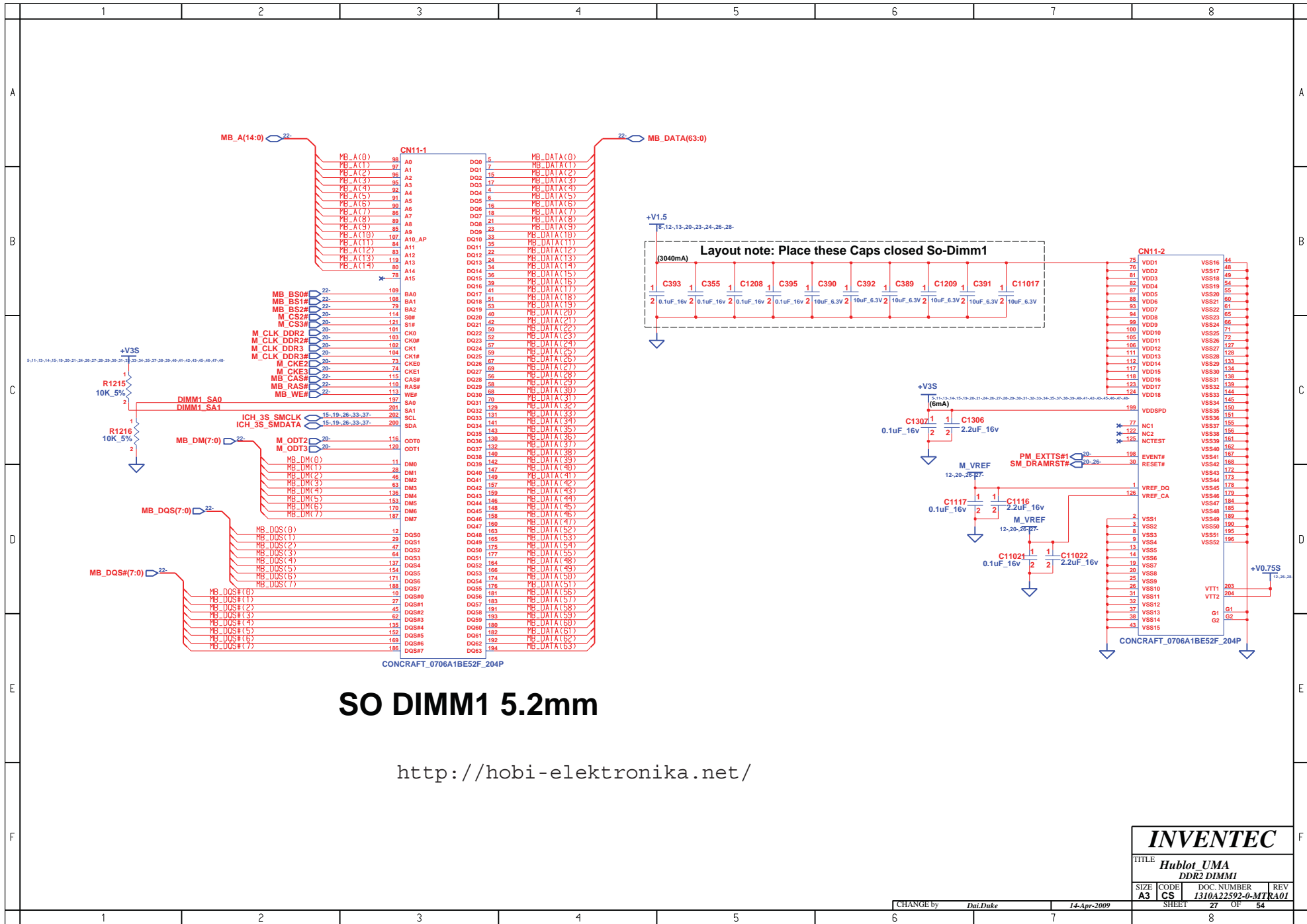
SO DIMM0_9.2mm

<http://hobi-elektronika.net/>

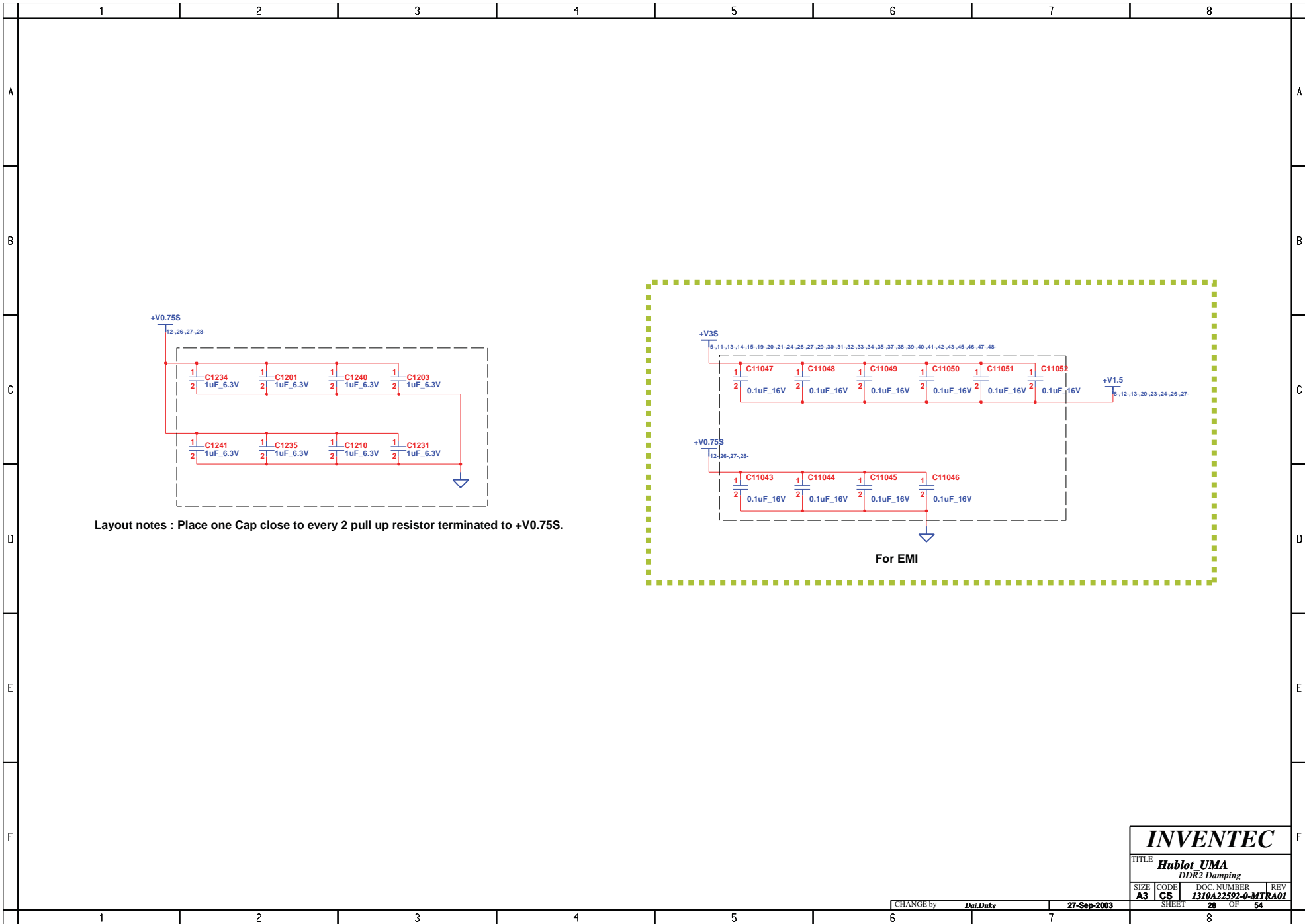
INVENTEC

TITLE Hublot_UMA DDR2 DIMM0			
SIZE A3	CODE CS	DOC. NUMBER 1310A22592-0-MTR#A01	REV 1
SHEET 26		OF 54	

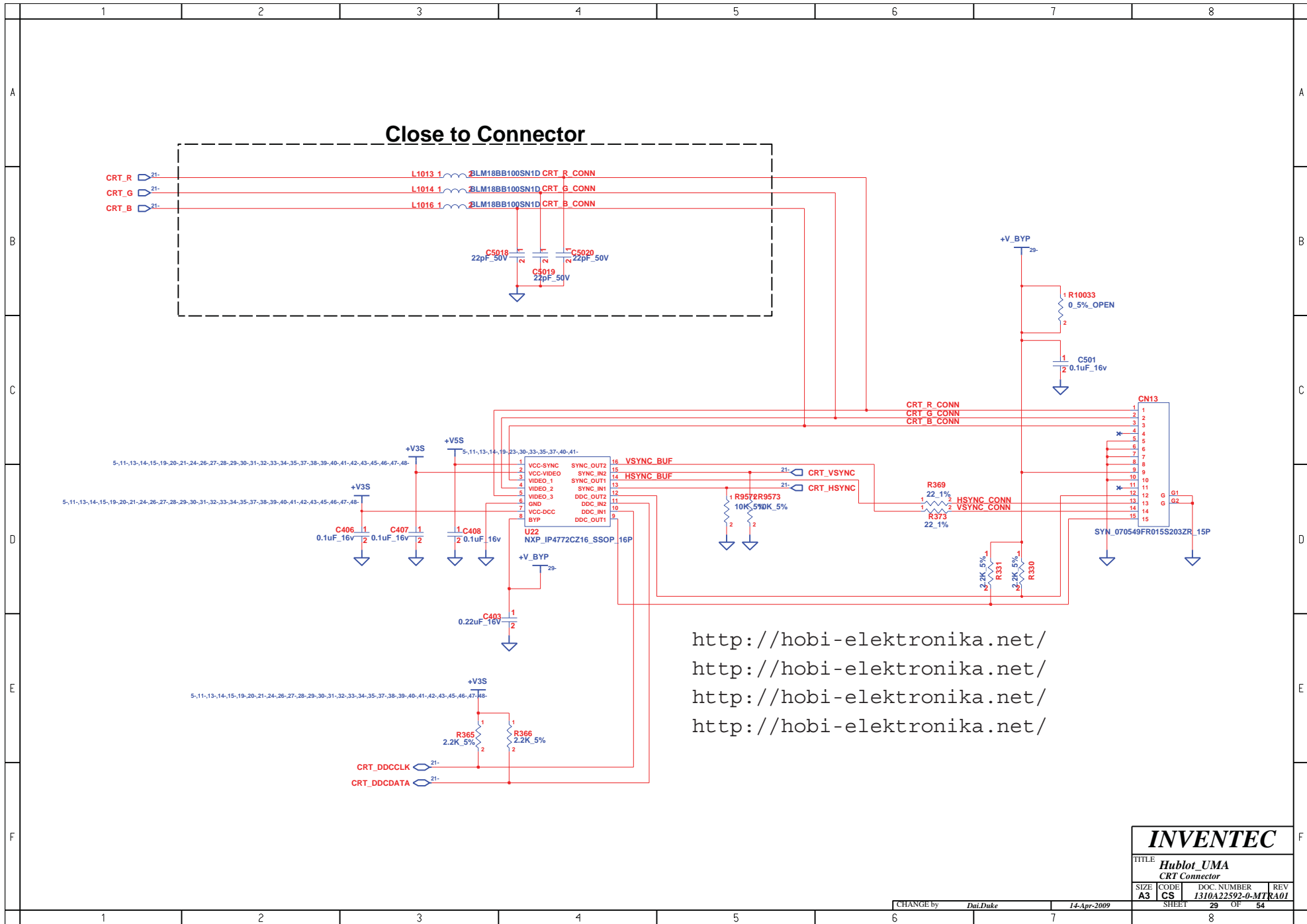
CHANGE by DalDuke 14-Apr-2009



INVENTEC			
TITLE: Hublot_UMA DDR2 DIMM1			
SIZE: A3	CODE: CS	DOC. NUMBER: 1310A22592-0-MTR	REV: RA01
CHANGE by: DalDuke		14-Apr-2009	
SHEET: 27		OF: 54	



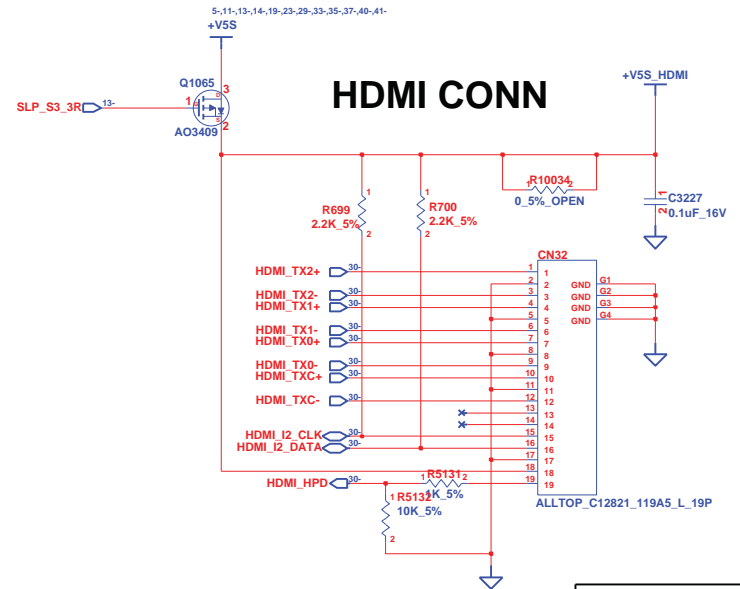
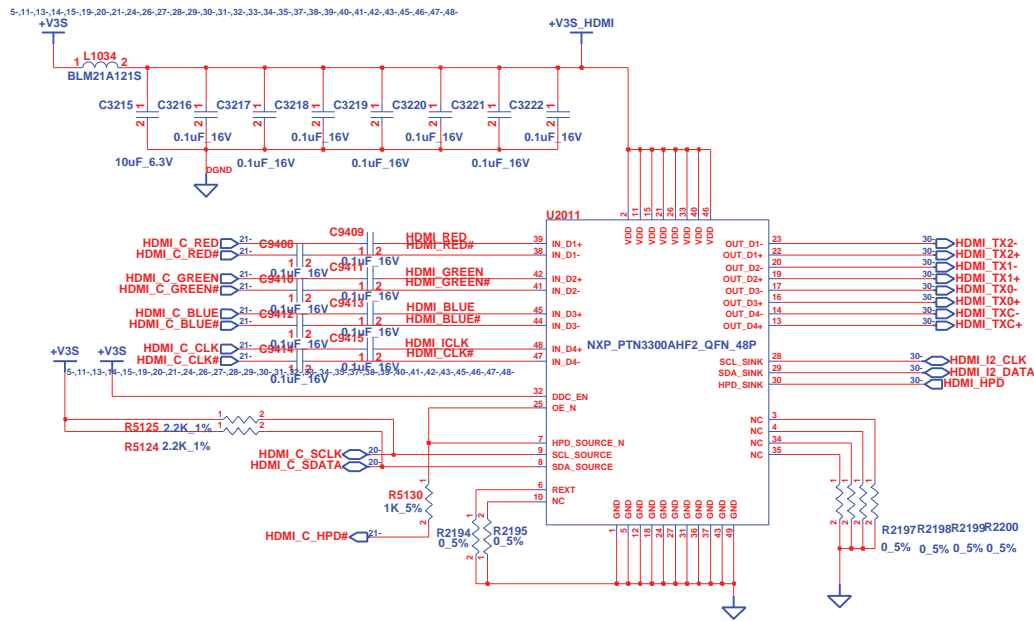
INVENTEC			
TITLE Hublot_UMA DDR2 Damping			
SIZE A3	CODE CS	DOC NUMBER 1310A22592-0-MTR01	REV
CHANGE by <i>DalDuke</i>		27-Sep-2003	SHEET 28 OF 54



<http://hobi-elektronika.net/>
<http://hobi-elektronika.net/>
<http://hobi-elektronika.net/>
<http://hobi-elektronika.net/>

INVENTEC			
TITLE Hublot_UMA CRT Connector			
SIZE A3	CODE CS	DOC. NUMBER 1310A22592-0-MTR	REV A01
CHANGE by <i>Dal.Duke</i>		14-Apr-2009	
SHEET 29		OF 54	

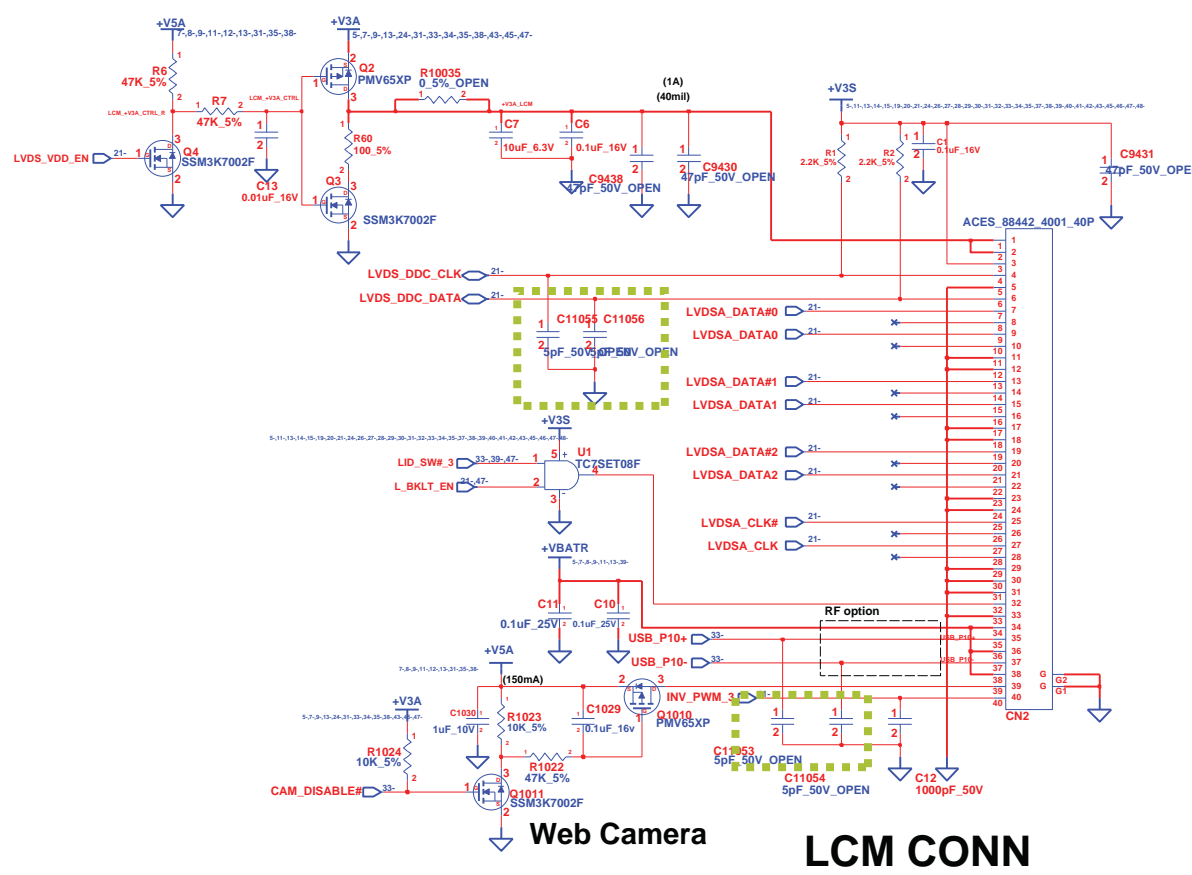
http://hobi-elektronika.net/



INVENTEC

TITLE			
Hublot_UMA			
HDMI Connector			
SIZE	CODE	DOC NUMBER	REV
A3	CS	J310A22592-0-MTR	A01
CHANGE by		SHEET	
DalDuke		30 OF 54	

14-Apr-2009



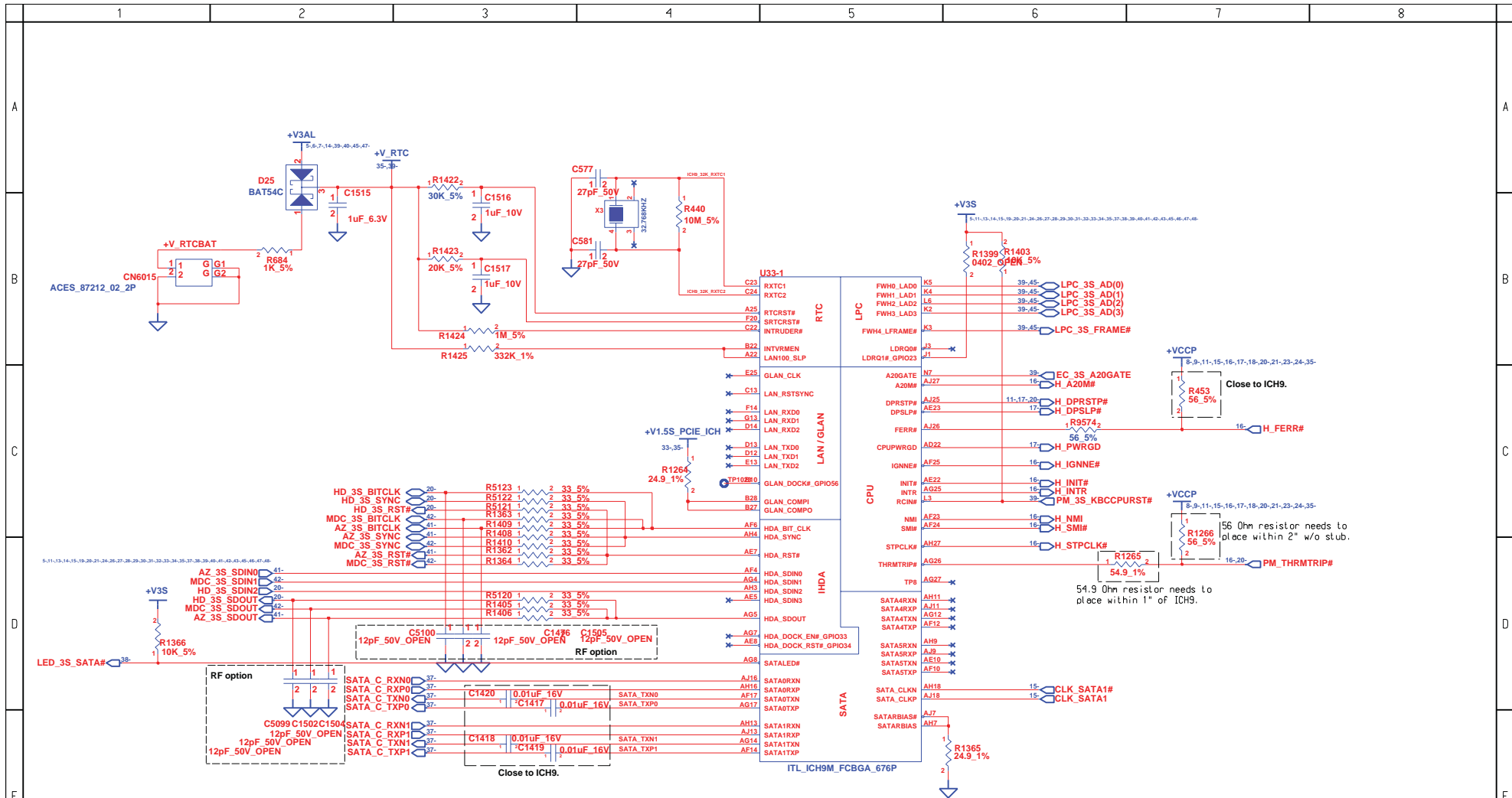
<http://hobi-elektronika.net/>

INVENTEC

TITLE
Hublot_UMA
LCM CONN

SIZE A3	CODE CS	DOC. NUMBER 1310A22592-0-MTR	REV RA01
SHEET		31	OF 54

CHANGE by DalDuke 14-Apr-2009



<http://hobi-elektronika.net/>

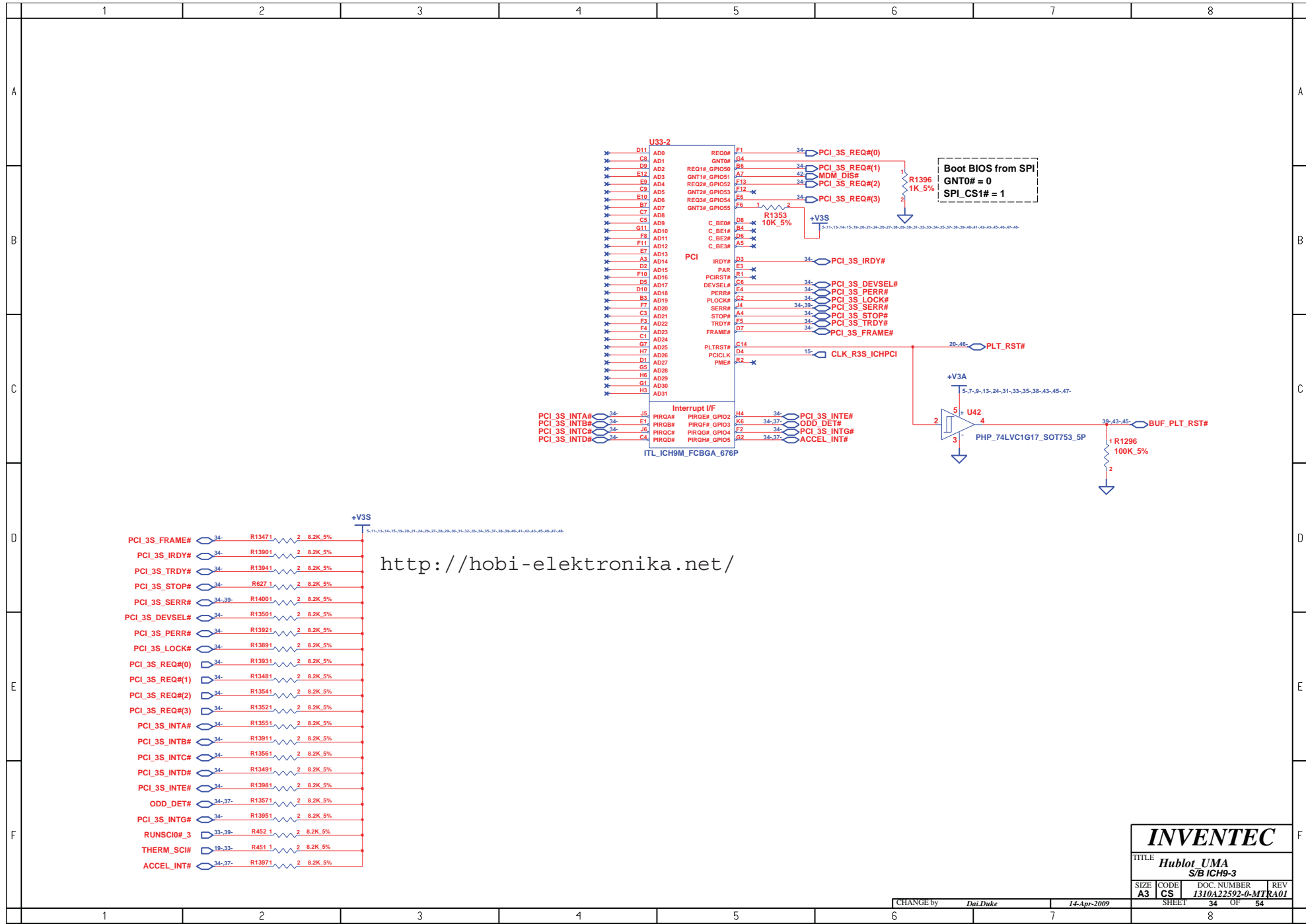
INVENTEC

TITLE
Hublot_UMA
S/B ICH9-1

SIZE A3	CODE CS	DOC. NUMBER 1310A22592-0-MTR	REV A01
------------	------------	---------------------------------	------------

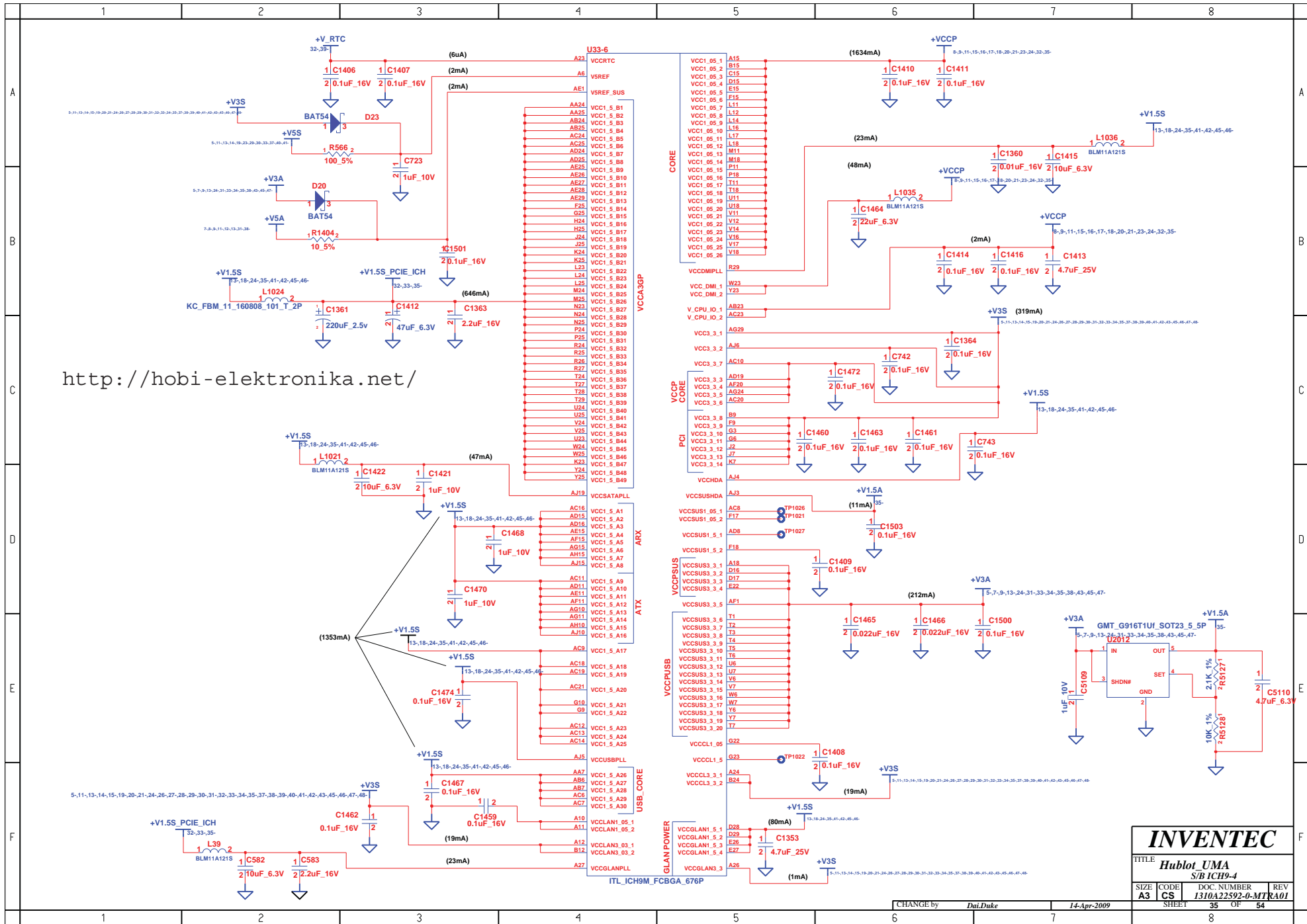
CHANGE by DalDuke 14-Apr-2009

SHEET 32 OF 54



<http://hobi-elektronika.net/>

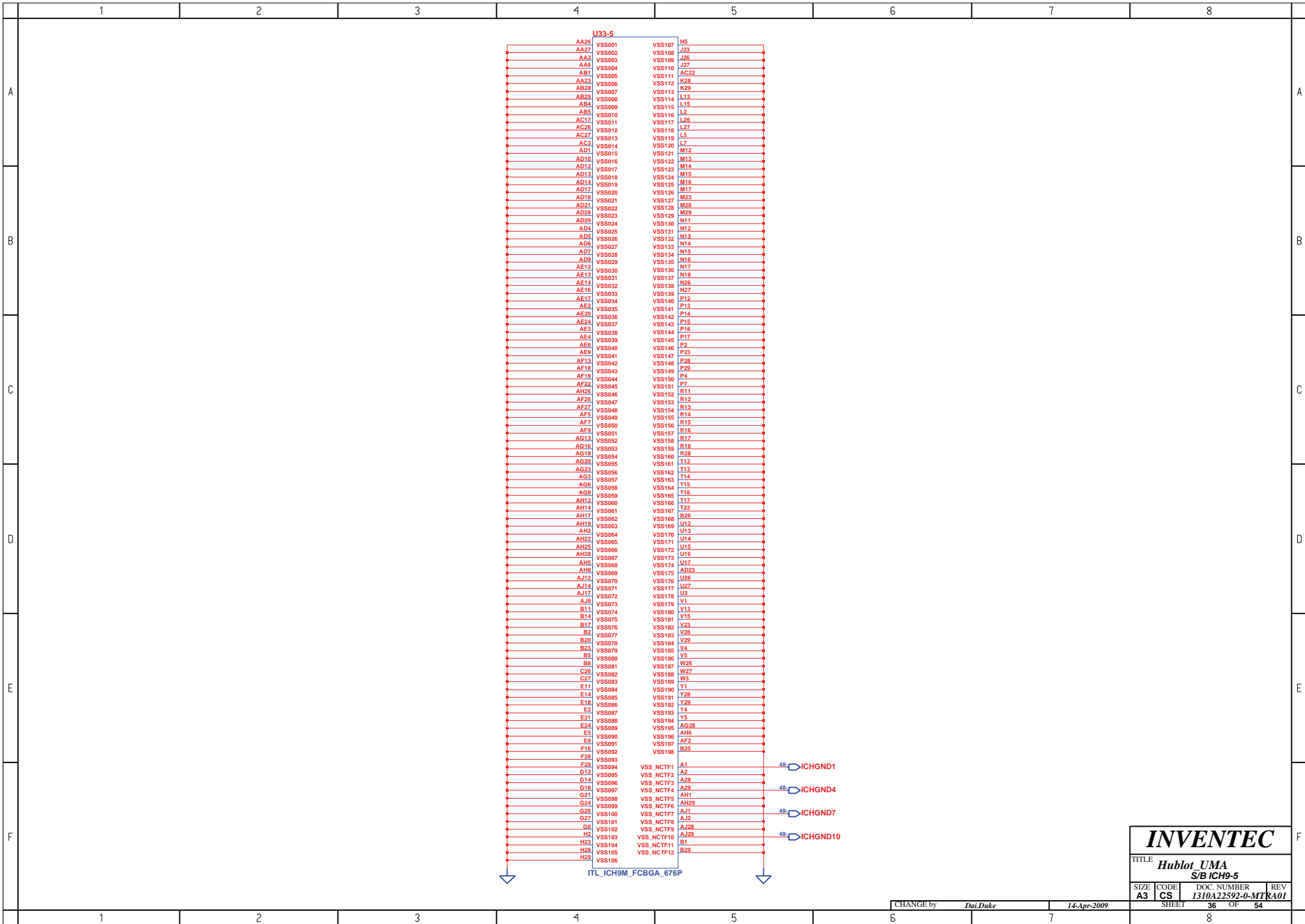
INVENTEC			
TITLE Hublot UMA S/B ICH9-3			
SIZE A3	CODE CS	DOC. NUMBER 1310A22592-0-MTR	REV A01
CHANGE by DalDuke		14-Apr-2009	
SHEET 34		OF 54	



http://hobi-elektronika.net/

INVENTEC				
TITLE Hublot_UMA S/B ICH9-4				
SIZE	CODE	DOC. NUMBER	SHEET	REV
A3	CS	1310A2252-0-MTR	35	54

CHANGE by *DalDuke* 14-Apr-2009



INVENTEC

TITLE: Hublot_UMA
S/B ICH9-5

SIZE A3	CODE CS	DOC. NUMBER 1310A22592-0-MTR	REV A01
SHEET		36	OF 54

CHANGE by DalDuke 14-Apr-2009

A

B

C

D

E

F

A

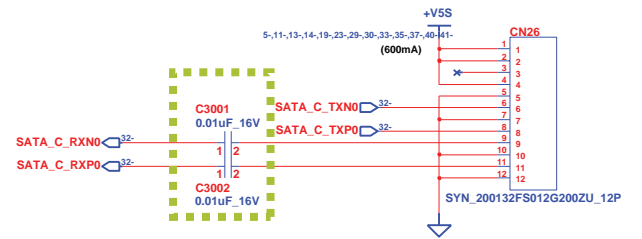
B

C

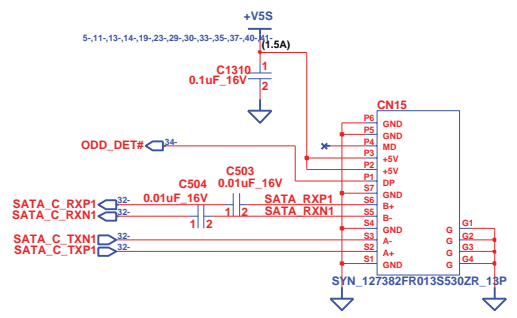
D

E

F

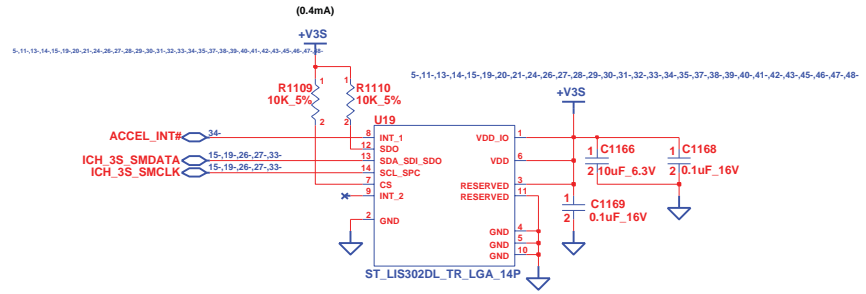


SATA HDD



SATA ODD

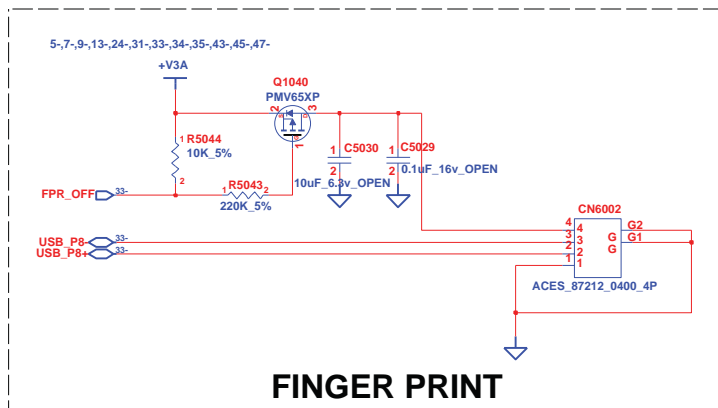
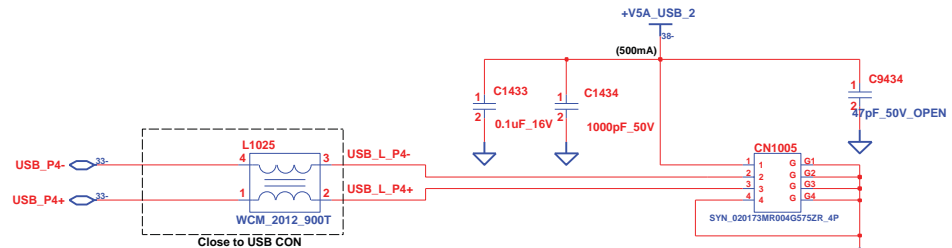
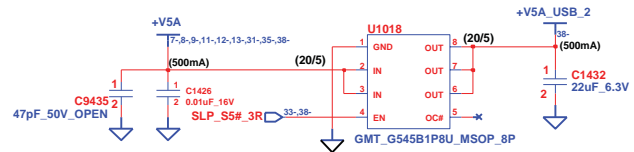
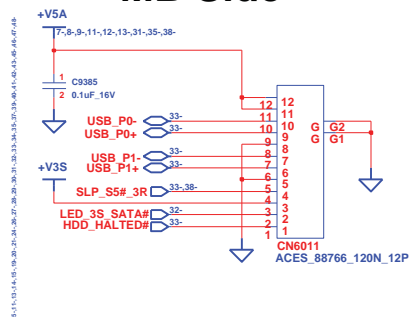
<http://hobi-elektronika.net/>
<http://hobi-elektronika.net/>



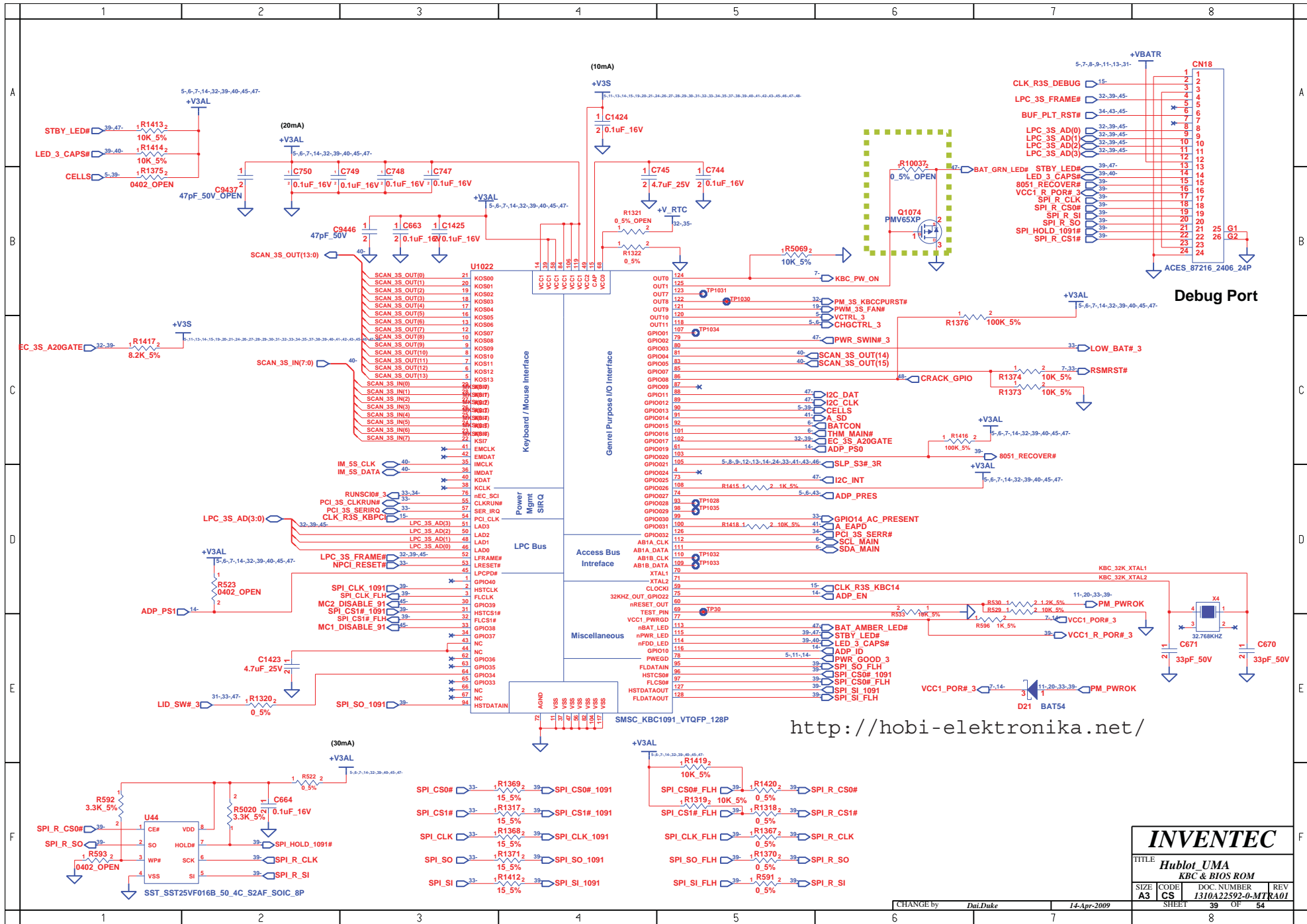
Accelerometer

INVENTEC			
TITLE Hublot_UMA			
HDD & ODD CONN & Accelerometer			
SIZE A3	CODE CS	DOC. NUMBER 1310A22592-0-MTR	REV RA01
CHANGE by <i>DalDuke</i>		14-Apr-2009	
SHEET 37		OF 54	

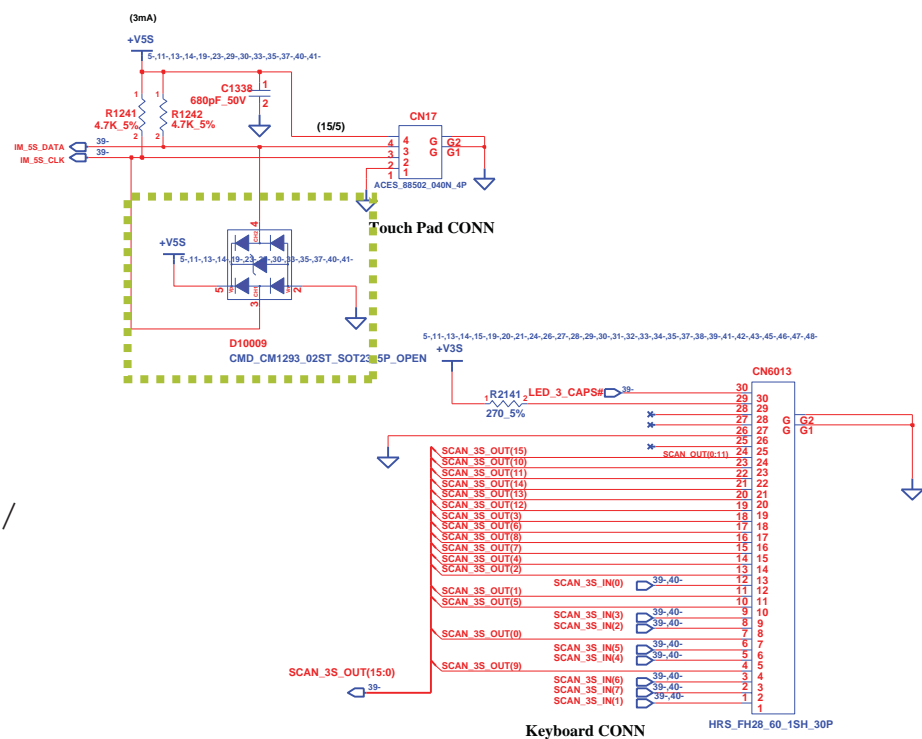
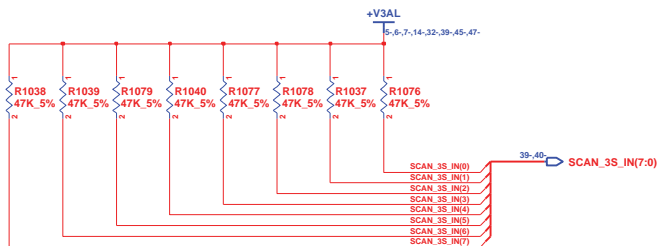
MB Side



INVENTEC			
TITLE Hublot_UMA USB CONN			
SIZE A3	CODE CS	DOC NUMBER 1310A22592-0-MTR	REV RA01
CHANGE by DalDuke		14-Apr-2009	
SHEET 38		OF 54	



INVENTEC			
TITLE Hublot_UMA KBC & BIOS ROM			
SIZE A3	CODE CS	DOC. NUMBER 1310A22592-0-MTR	REV A01
CHANGE by <i>DalDuke</i>		14-Apr-2009	
SHEET 39		OF 54	



<http://hobi-elektronika.net/>

INVENTEC

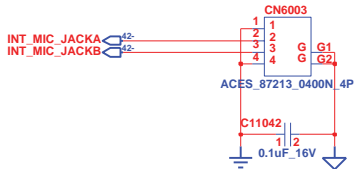
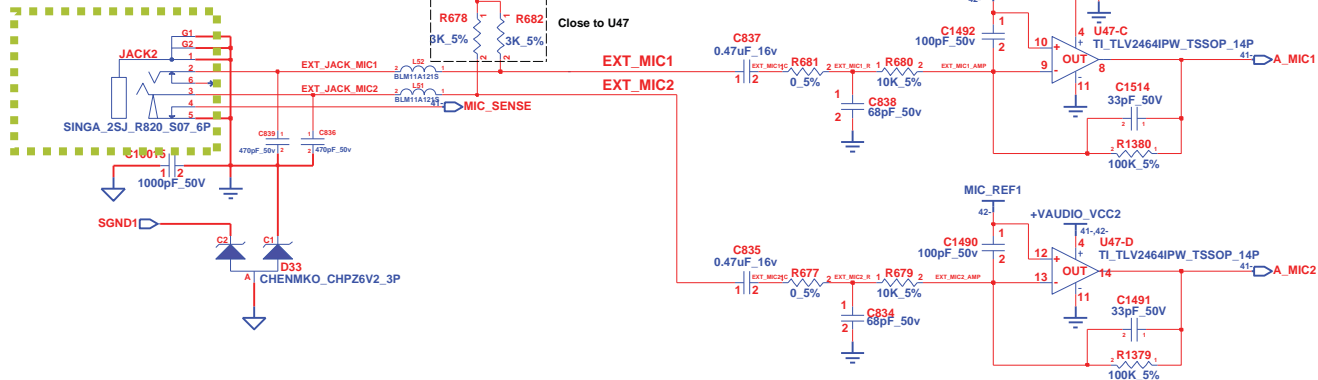
TITLE: **Hublot_UMA**
Keyboard & TouchPad CONN

SIZE	CODE	DCC NUMBER	REV
A3	CS	I310A22592-0-MTKA01	

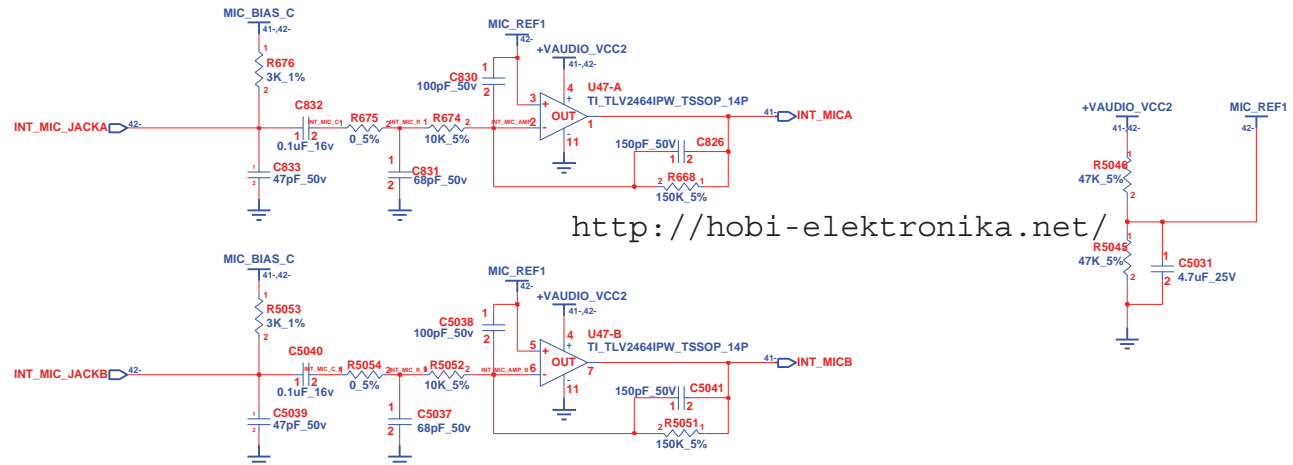
SHEET 40 OF 54

CHANGE by *Dai.Duke* 14-Apr-2009

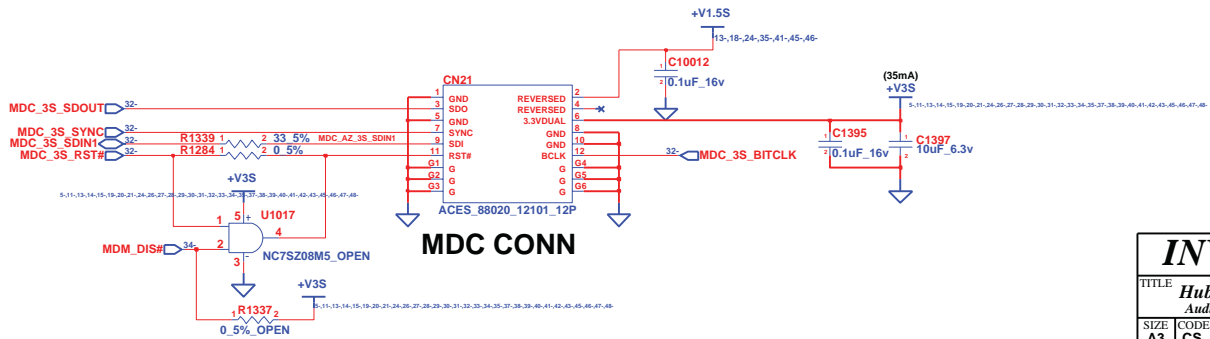
MIC Jack



Internal MIC



<http://hobi-elektronika.net/>

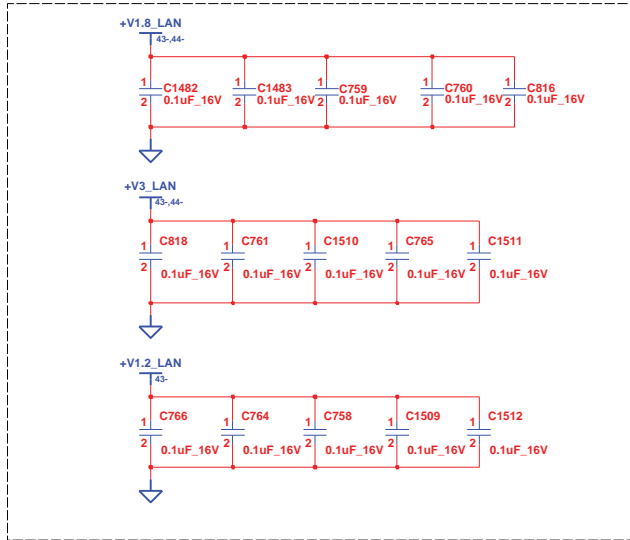


MDC CONN

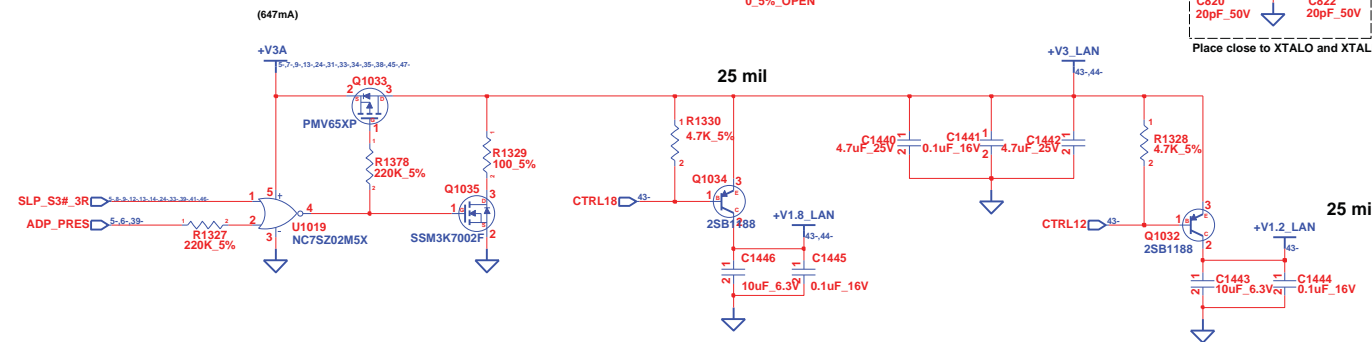
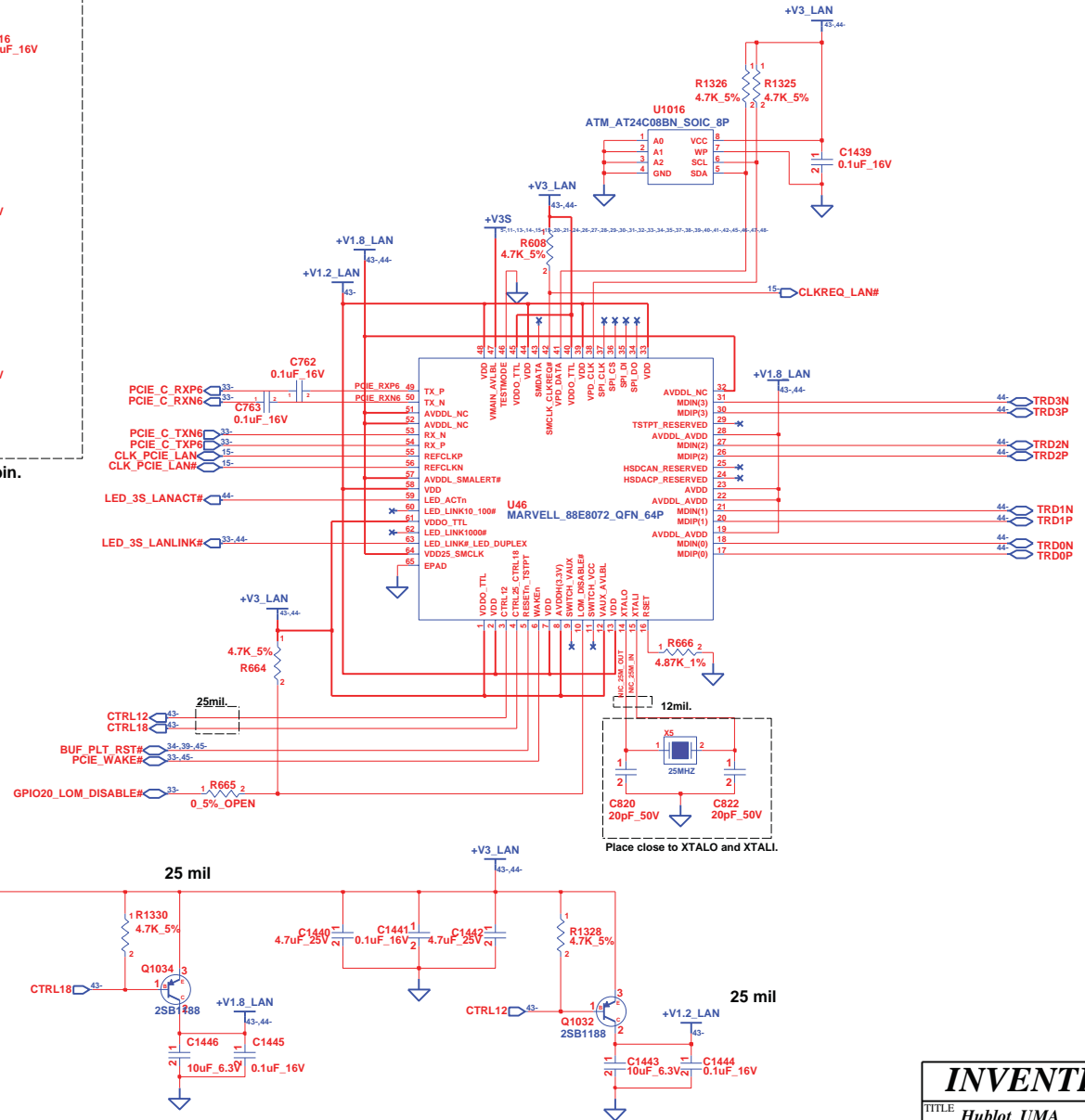
INVENTEC

TITLE			
Hublot_UMA			
Audio MIC & MDC CONN			
SIZE	CODE	DOC NUMBER	REV
A3	CS	1310A22592-0-MTR	A01
SHEET		42	OF 54

<http://hobi-elektronika.net/>

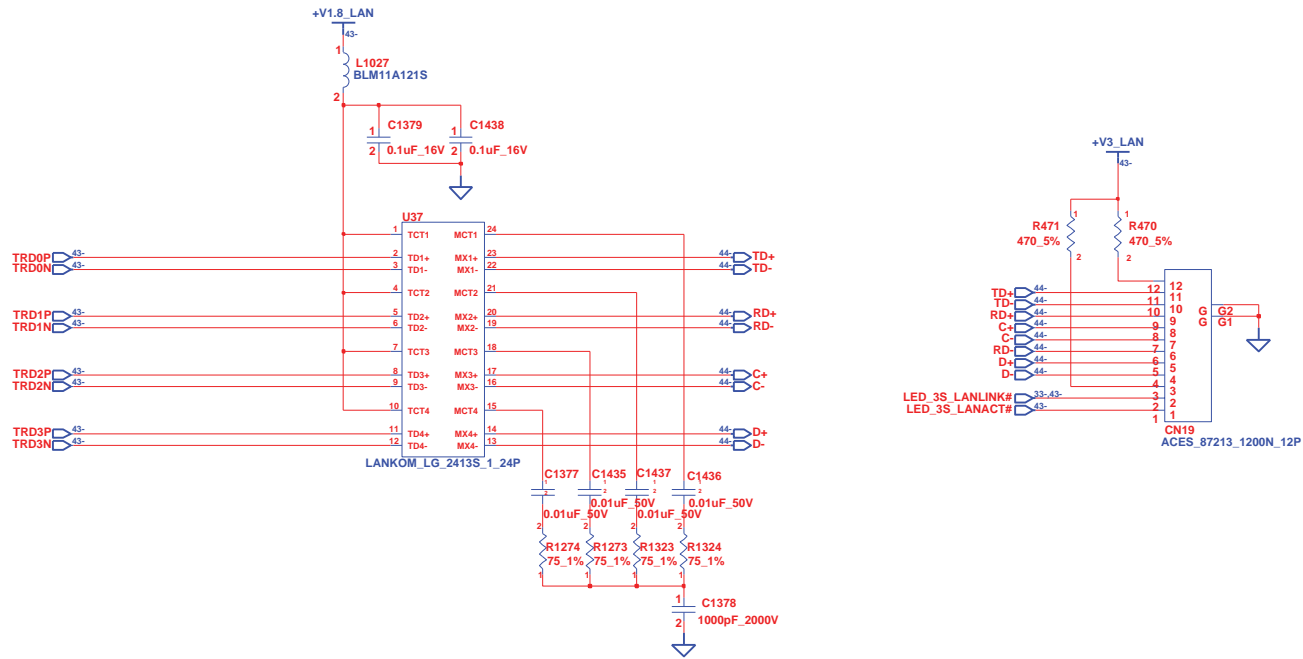


Place bypass cap as close as possible with every power pin.



INVENTEC			
TITLE Hublot_UMA Giga LAN Controller			
SIZE A3	CODE CS	DOC. NUMBER 1310A22592-0-MTR	REV A01
CHANGE by <i>Dal.Duke</i>		14-Apr-2009	
SHEET 43		OF 54	

<http://hobi-elektronika.net/>



INVENTEC

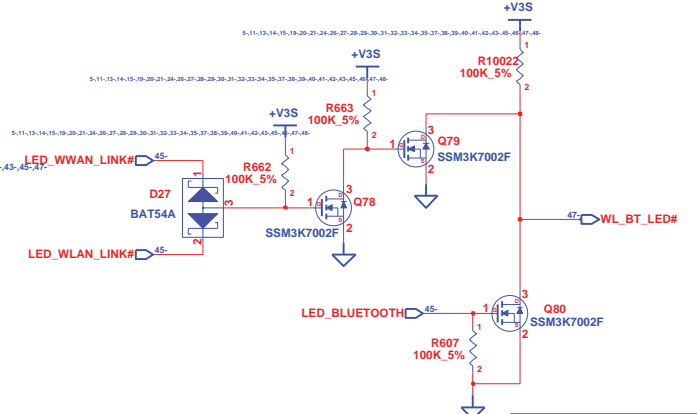
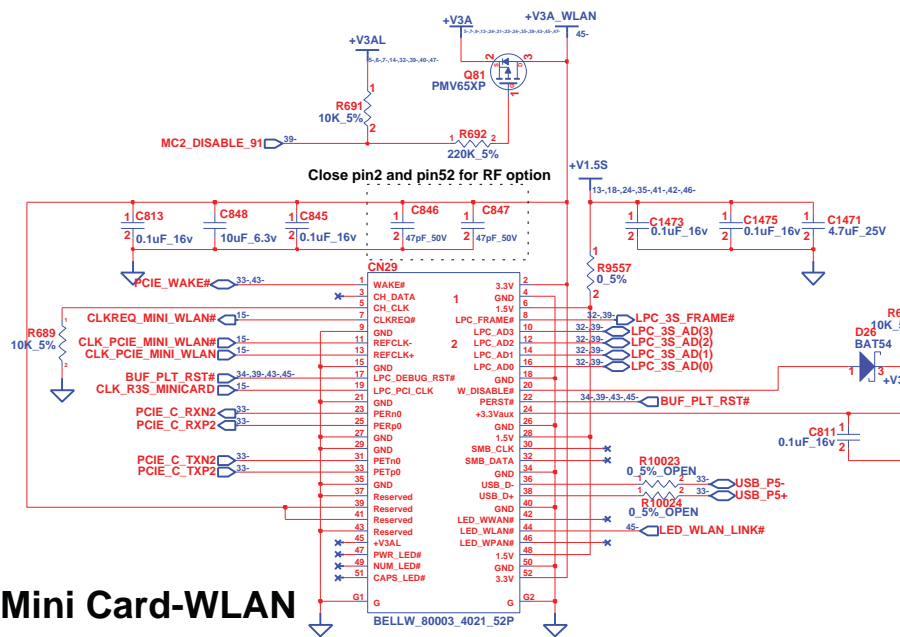
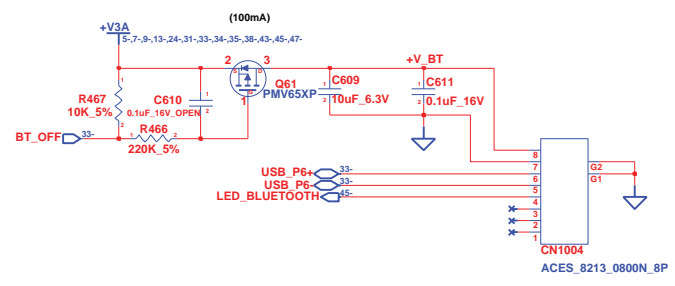
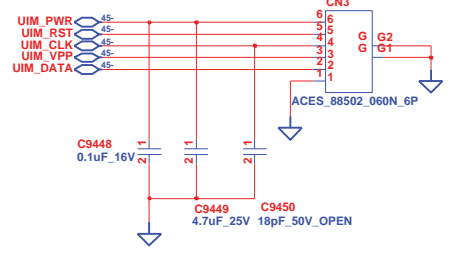
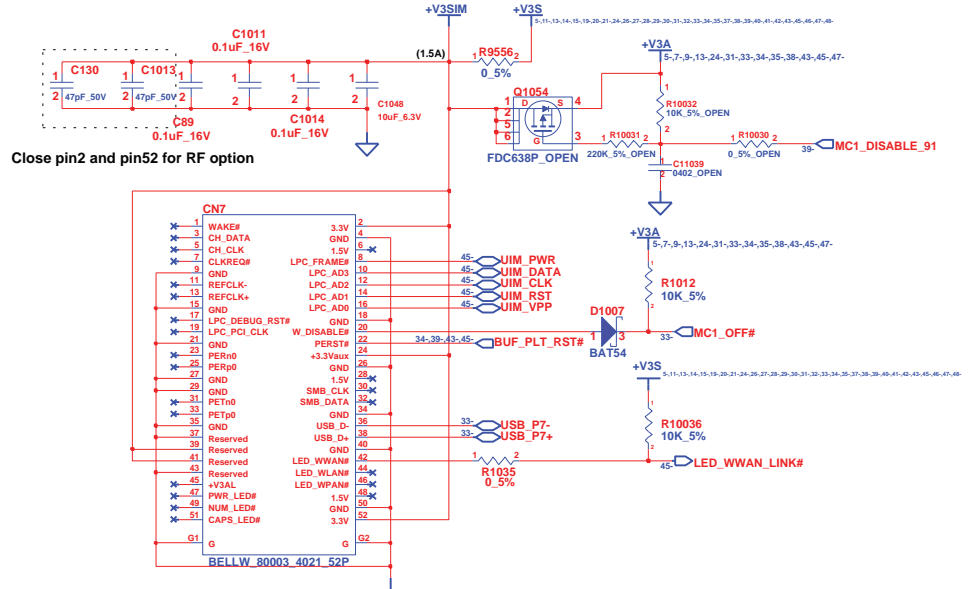
TITLE *Hublot_UMA*
Magnetic & RJ45 CONN

SIZE A3	CODE CS	DOC NUMBER <i>1310A22592-0-MT</i>	REV RA01
CHANGE by <i>DalDuke</i>		14-Apr-2009	
SHEET		44	OF 54

CHANGE by *DalDuke* 14-Apr-2009

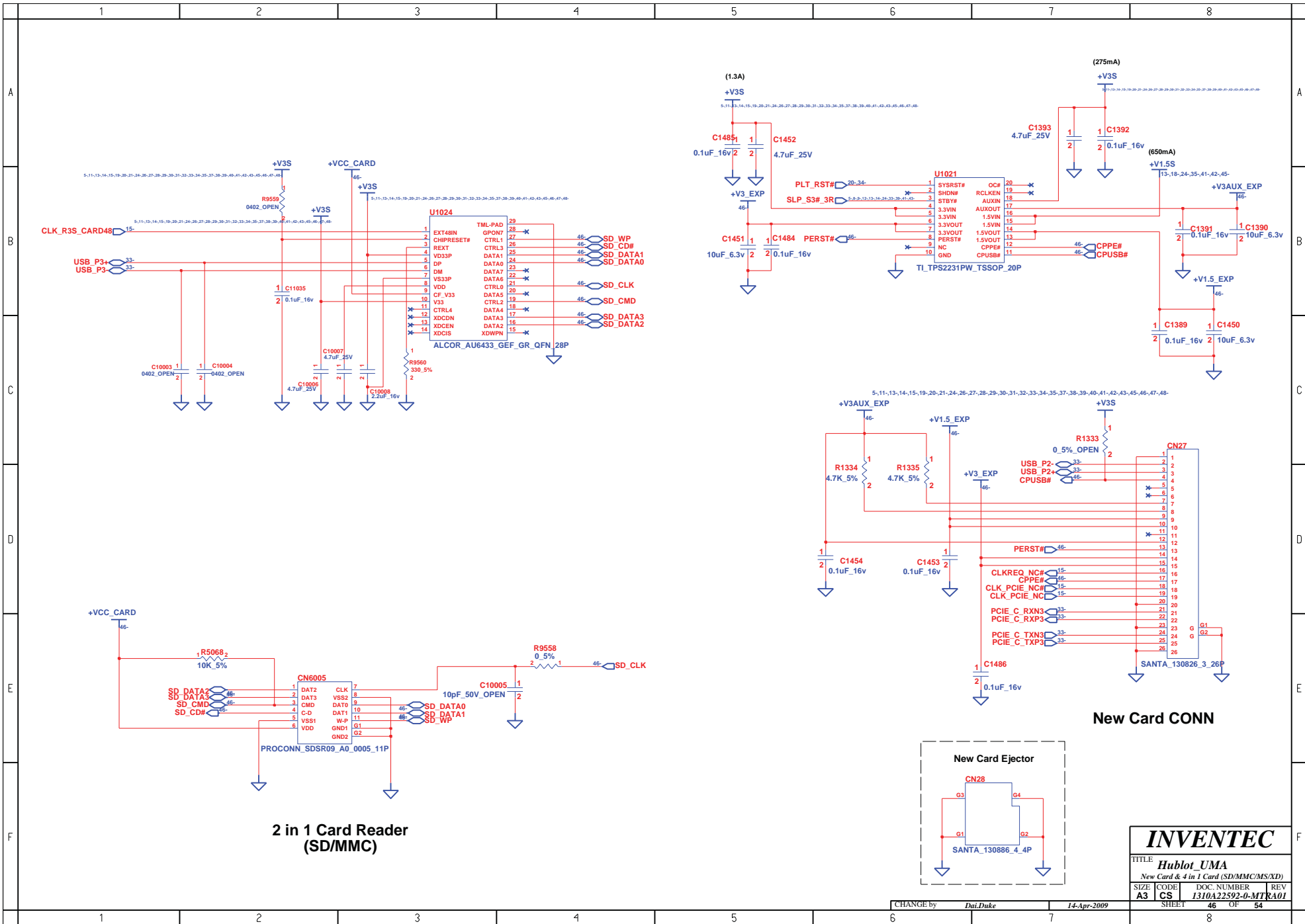
SHEET 44 OF 54

MINI Card-WWAN



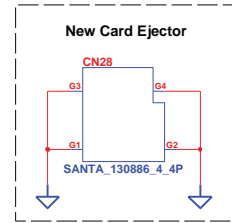
Mini Card-WLAN

INVENTEC			
TITLE: Hublot_UMA			
Mini Card(WLAN/Robson)/BT/UWB/Web-CAM			
SIZE: A3	CODE: CS	DOC. NUMBER: 1310A22592-0-MT	REV: A01
CHANGE by: DalDuke		14-Apr-2009	
SHEET: 45		OF: 54	



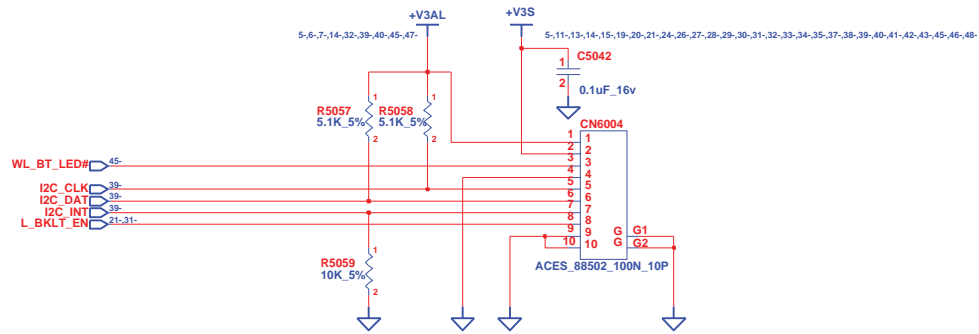
2 in 1 Card Reader (SD/MMC)

New Card CONN



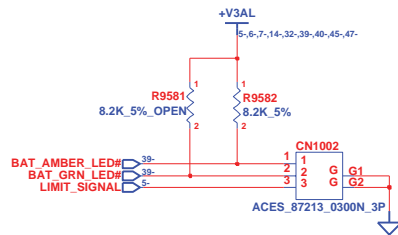
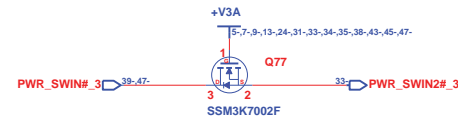
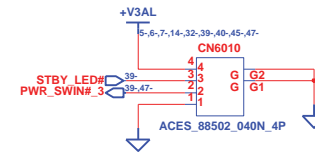
INVENTEC

TITLE Hublot_UMA			
New Card & 4 in 1 Card (SD/MMC/MS/XD)			
SIZE A3	CODE CS	DOC NUMBER 1310A22592-0-MT	REV R01
CHANGE by <i>DalDuke</i>		14-Apr-2009	
SHEET 46		OF 54	

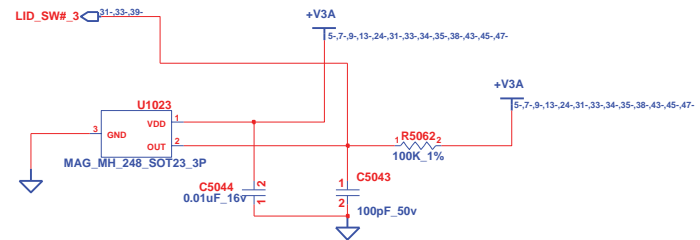


SWITCH BOARD CONN

Power SW CONN



Battery-Charge LED CONN



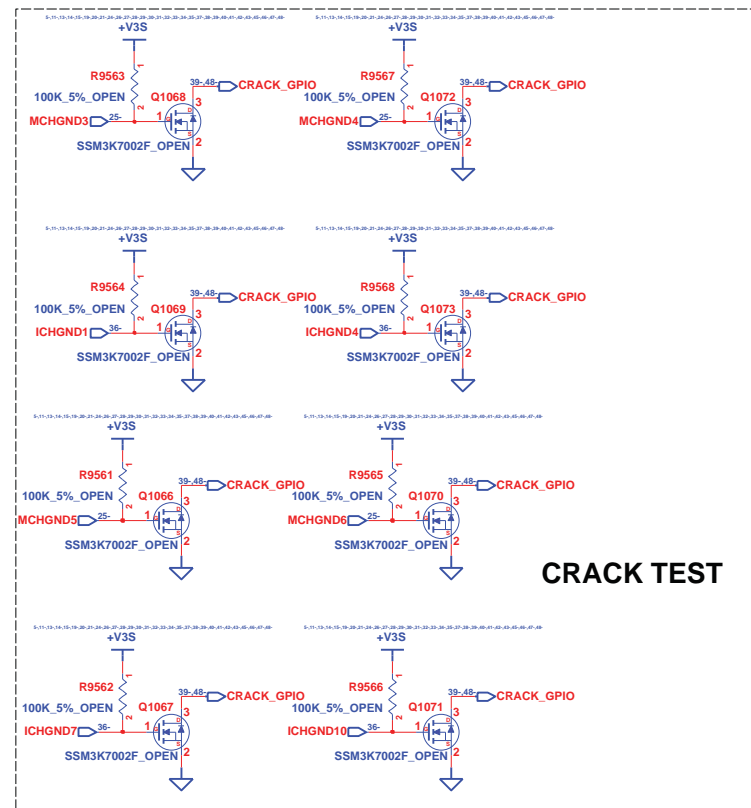
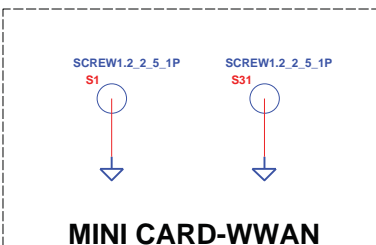
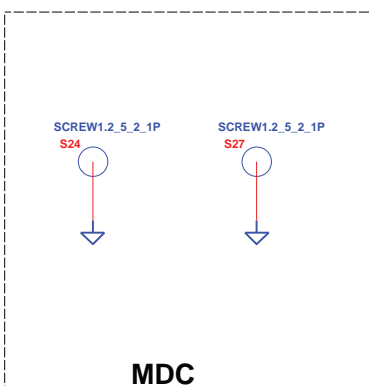
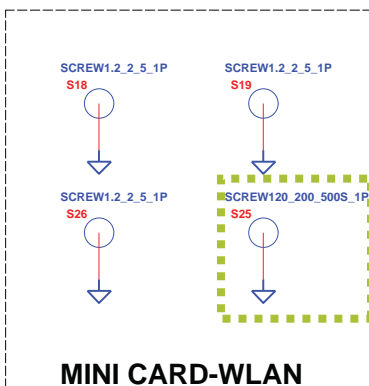
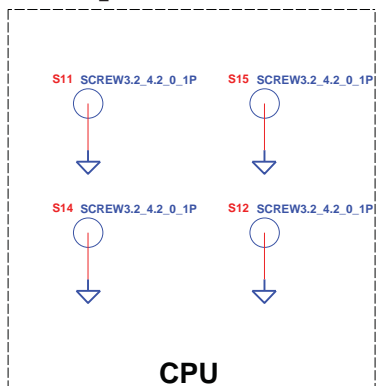
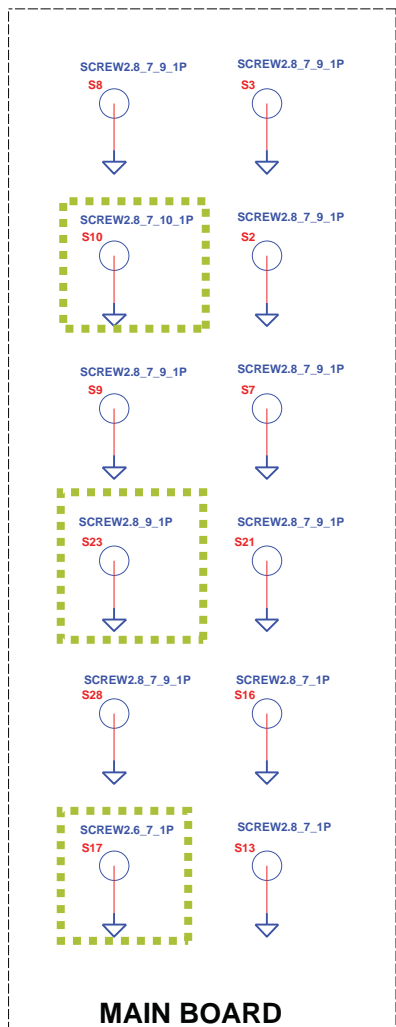
LID SWITCH

<http://hobi-elektronika.net/>

INVENTEC

TITLE			
Hublot_UMA			
LEDs & Buttons & SW/B			
SIZE	CODE	DOC NUMBER	REV
A3	CS	1310A22592-0-MT	RA01
CHANGE by		SHEET	
DalDuke		47 OF 54	

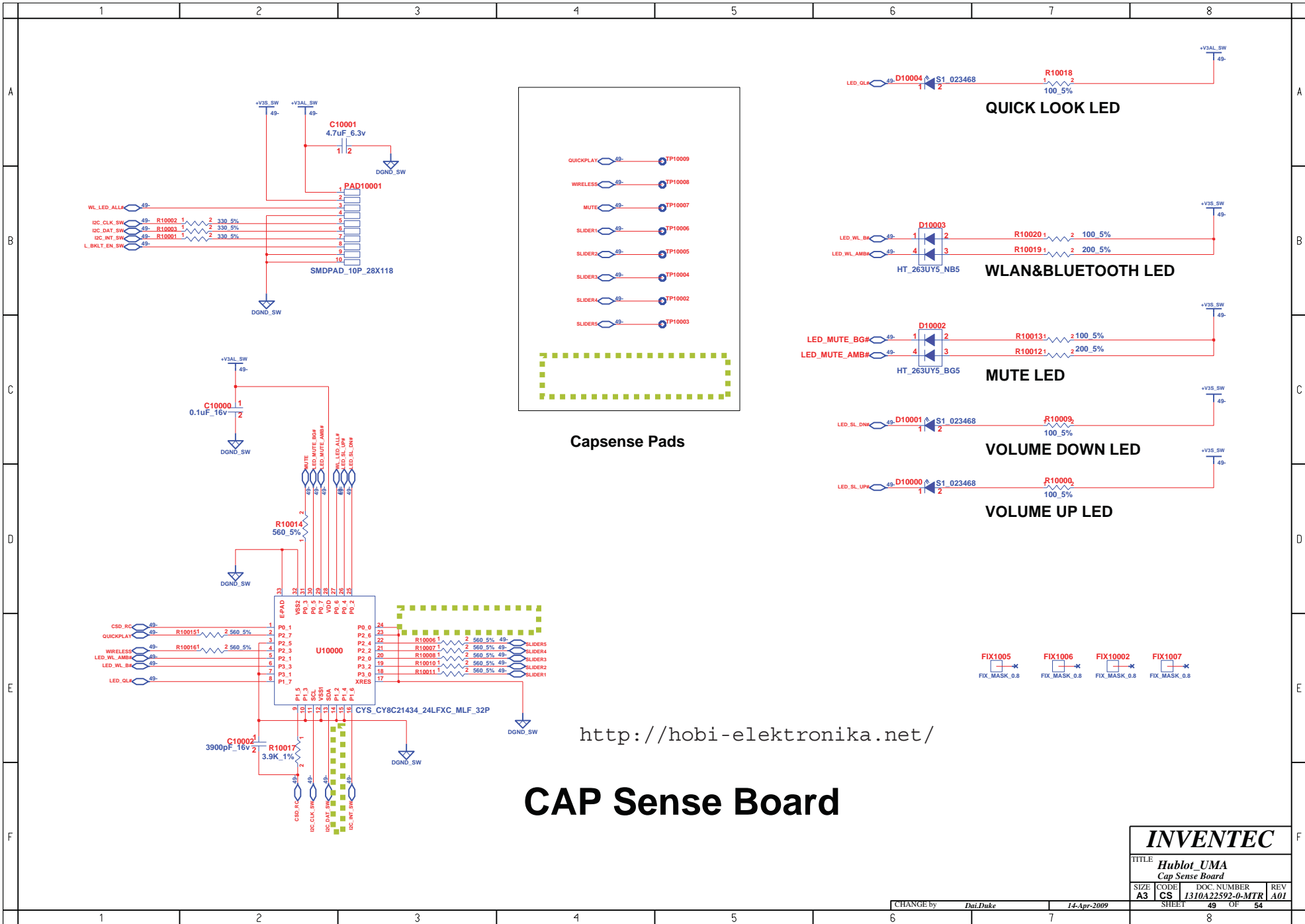
14-Apr-2009



- FIX1002
FIX_MASK
- FIX3
FIX_MASK
- FIX1003
FIX_MASK
- FIX1004
FIX_MASK
- FIX8
FIX_MASK
- FIX5
FIX_MASK
- FIX1001
FIX_MASK
- FIX1
FIX_MASK

INVENTEC

TITLE			
Hublot_UMA			
LEDs & Buttons & SW/B			
SIZE	CODE	DOC NUMBER	REV
A3	CS	1310A22592-0-MTR	A01
SHEET		48	OF 54

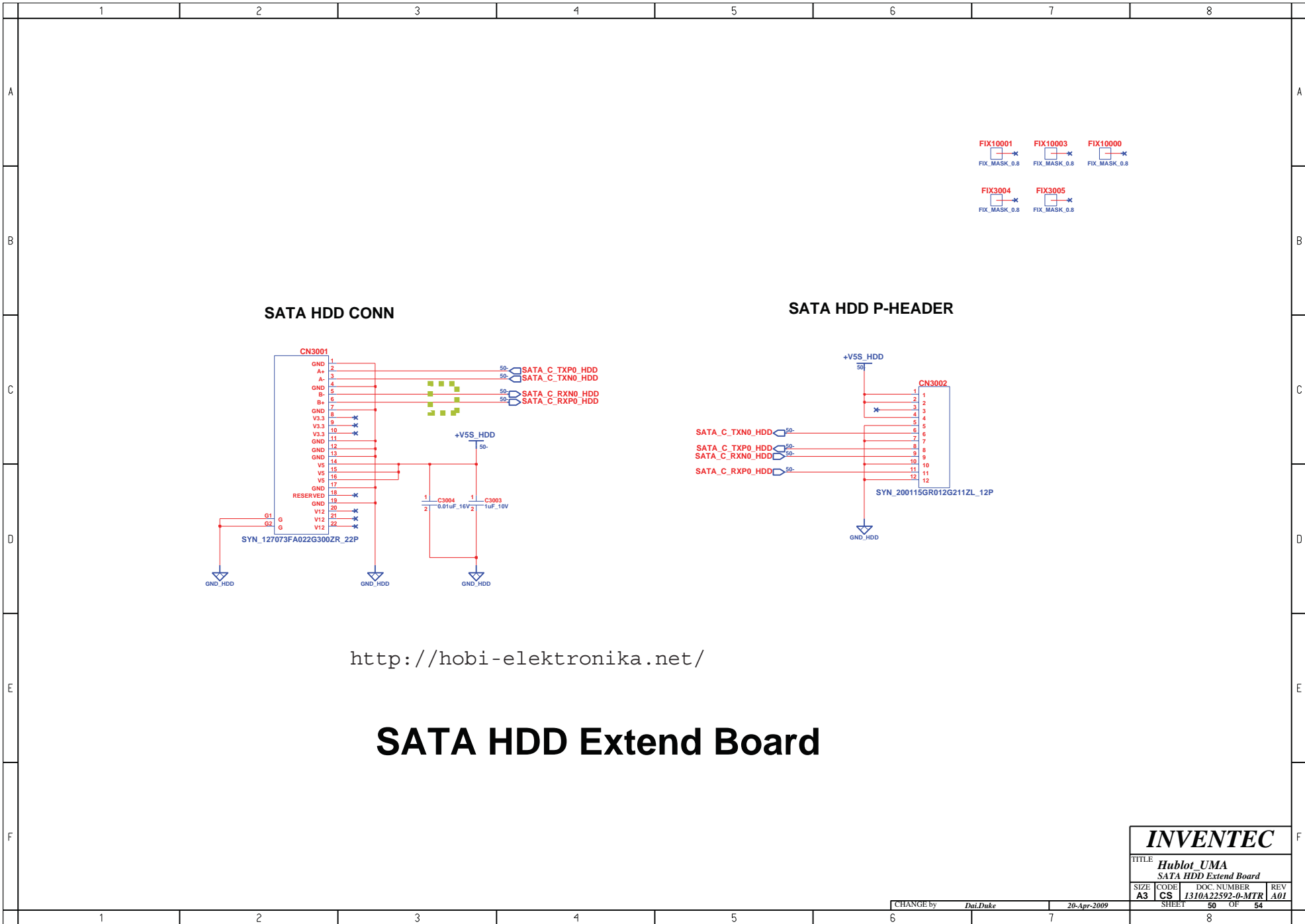


Capsense Pads

<http://hobi-elektronika.net/>

CAP Sense Board

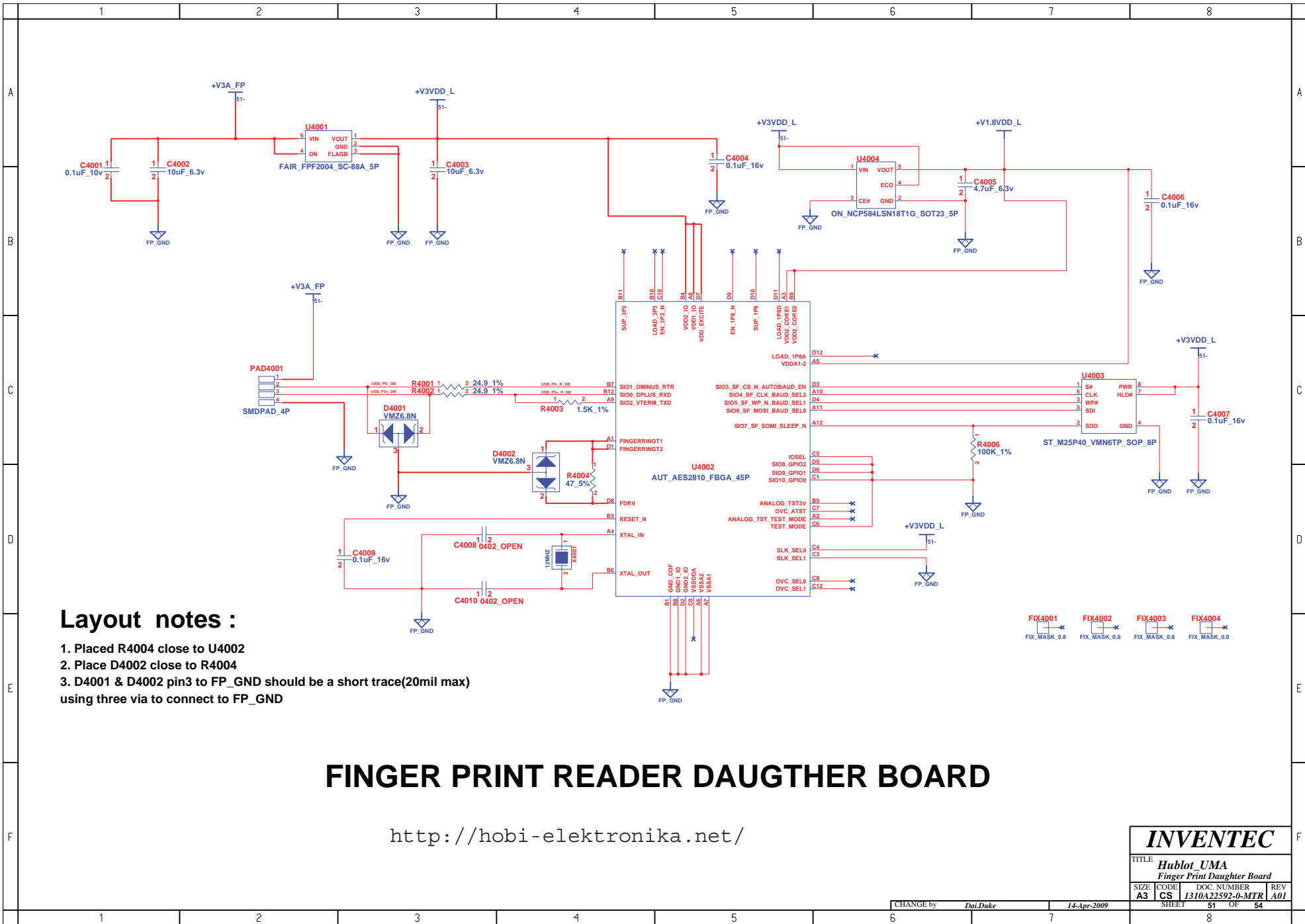
INVENTEC			
TITLE <i>Hublot_UMA</i> Cap Sense Board			
SIZE A3	CODE CS	DOC NUMBER <i>J310A22592-0-MTR</i>	REV A01
CHANGE by <i>DalDuke</i>		14-Apr-2009	
SHEET 49		OF 54	



<http://hobi-elektronika.net/>

SATA HDD Extend Board

INVENTEC			
TITLE Hublot_UMA SATA HDD Extend Board			
SIZE A3	CODE CS	DOC NUMBER 1310A22592-0-MTR	REV A01
CHANGE by <i>Dal.Duke</i>		20-Apr-2009	
SHEET		50 OF 54	



Layout notes :

1. Placed R4004 close to U4002
2. Place D4002 close to R4004
3. D4001 & D4002 pin3 to FP_GND should be a short trace(20mil max) using three via to connect to FP_GND

FINGER PRINT READER DAUGHTER BOARD

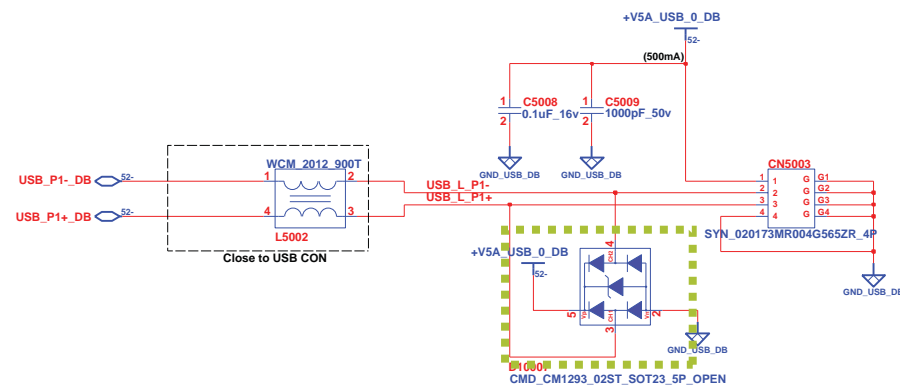
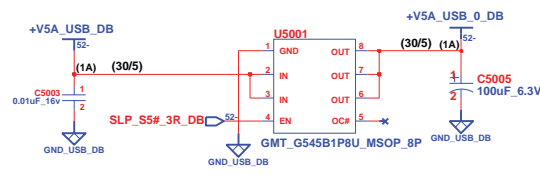
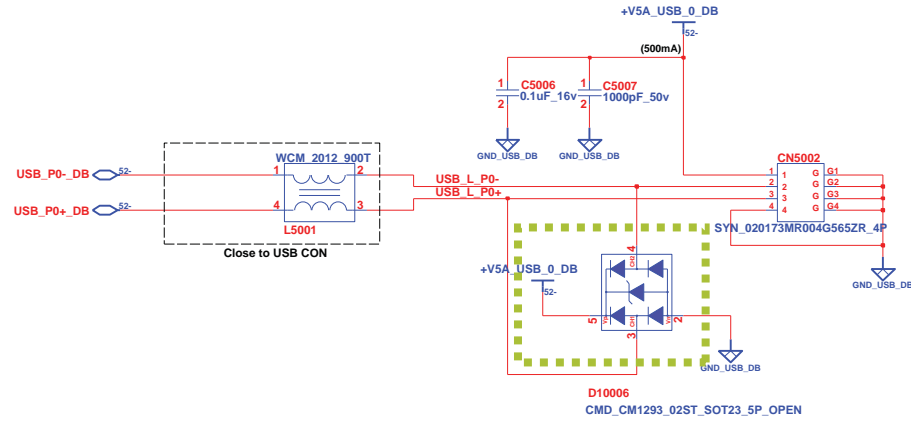
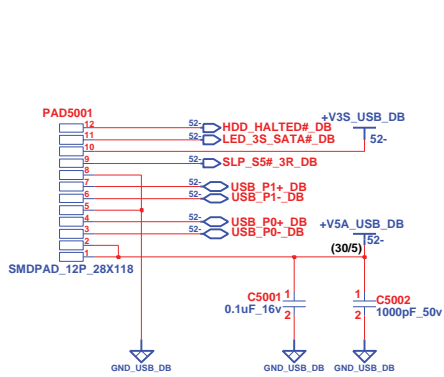
<http://hobi-elektronika.net/>



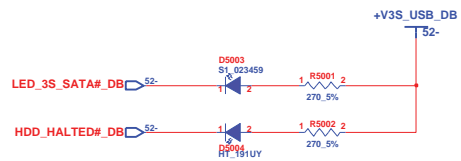
INVENTEC

TITLE			
Hublot_UMA			
Finger Print Daughter Board			
SIZE	CODE	DOC NUMBER	REV
A3	CS	I310A22592-0-MTR	A01

CHANGE by	DalDuke	14-Apr-2009	SHEET	51	OF	54
-----------	---------	-------------	-------	----	----	----



SATA & HDD-Halted LED



<http://hobi-elektronika.net/>

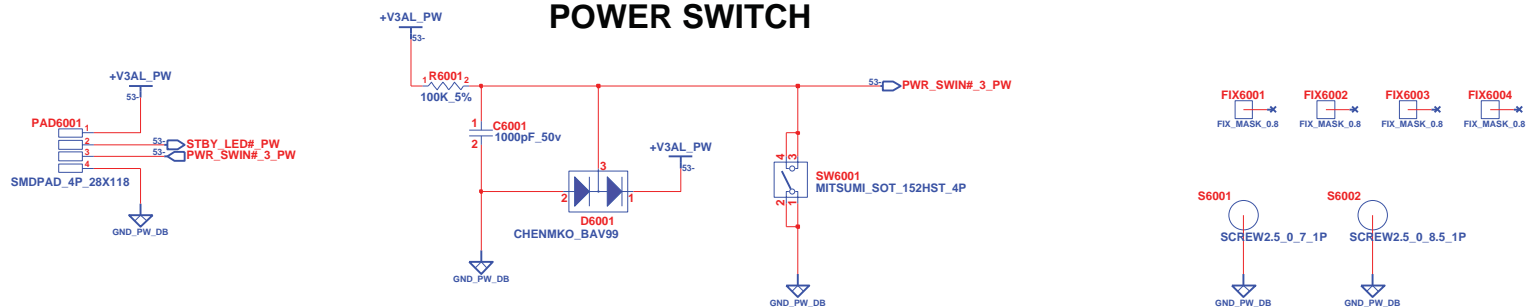
USB Daughter Board

INVENTEC

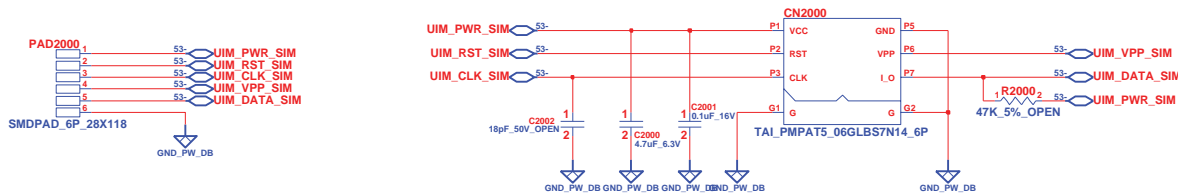
TITLE			
Hublot_UMA			
USB Daughter Board			
SIZE	CODE	DOC NUMBER	REV
A3	CS	1310A22592-0-MTR	A01
SHEET		OF	54

CHANGE by DalDuke 14-Apr-2009

POWER SWITCH



Power / Standby LED



Power Button & SIM Card Board

<http://hobi-elektronika.net/>

INVENTEC

TITLE
Hublot_UMA
Power Switch & Sim Card Board

SIZE A3	CODE CS	DOC NUMBER J310A22592-0-MTR	REV A01
SHEET 53		OF 54	

CHANGE by DalDuke 14-Apr-2009