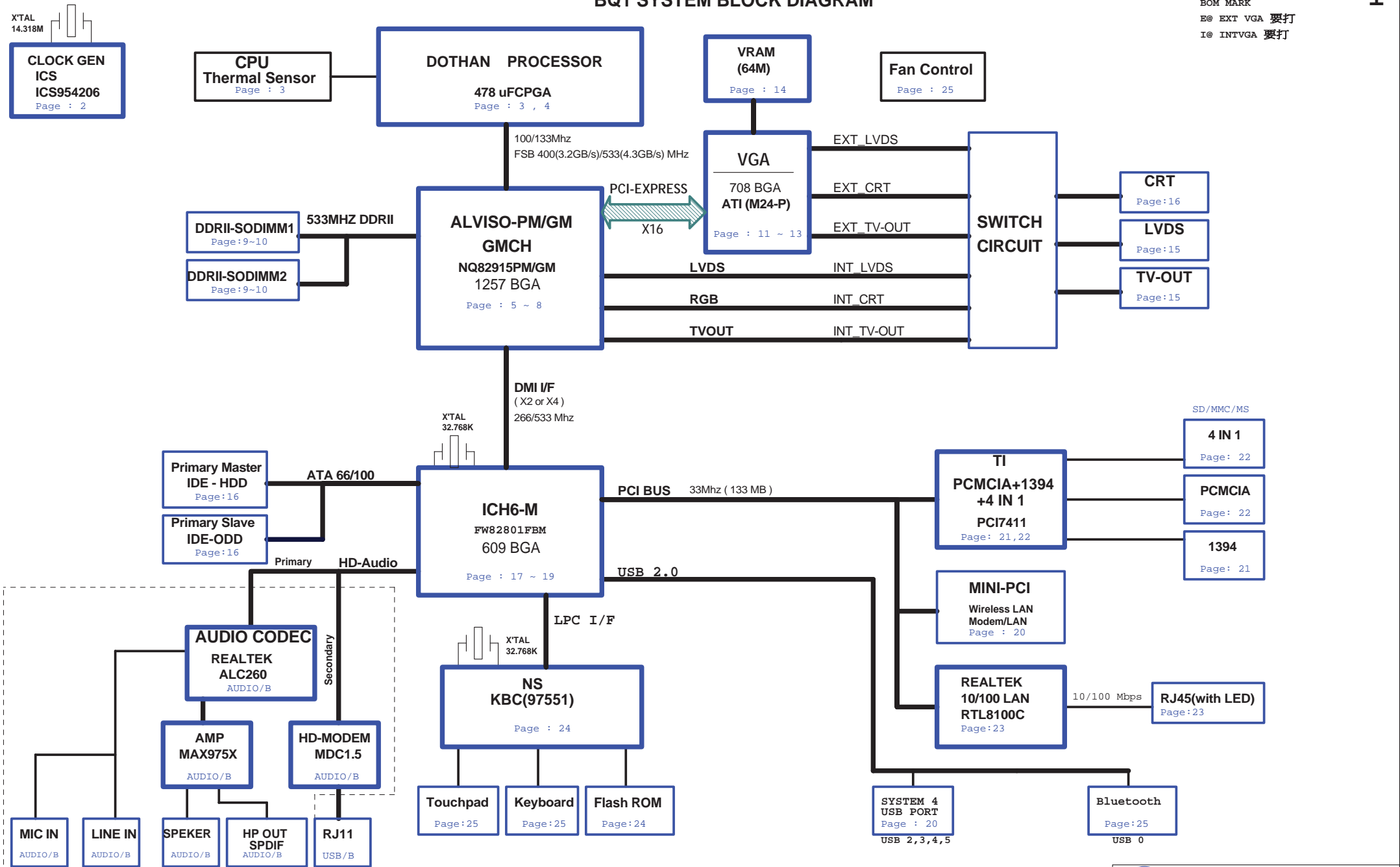


BQ1 SYSTEM BLOCK DIAGRAM

BOM MARK
 E@ EXT VGA 要打
 I@ INTVGA 要打



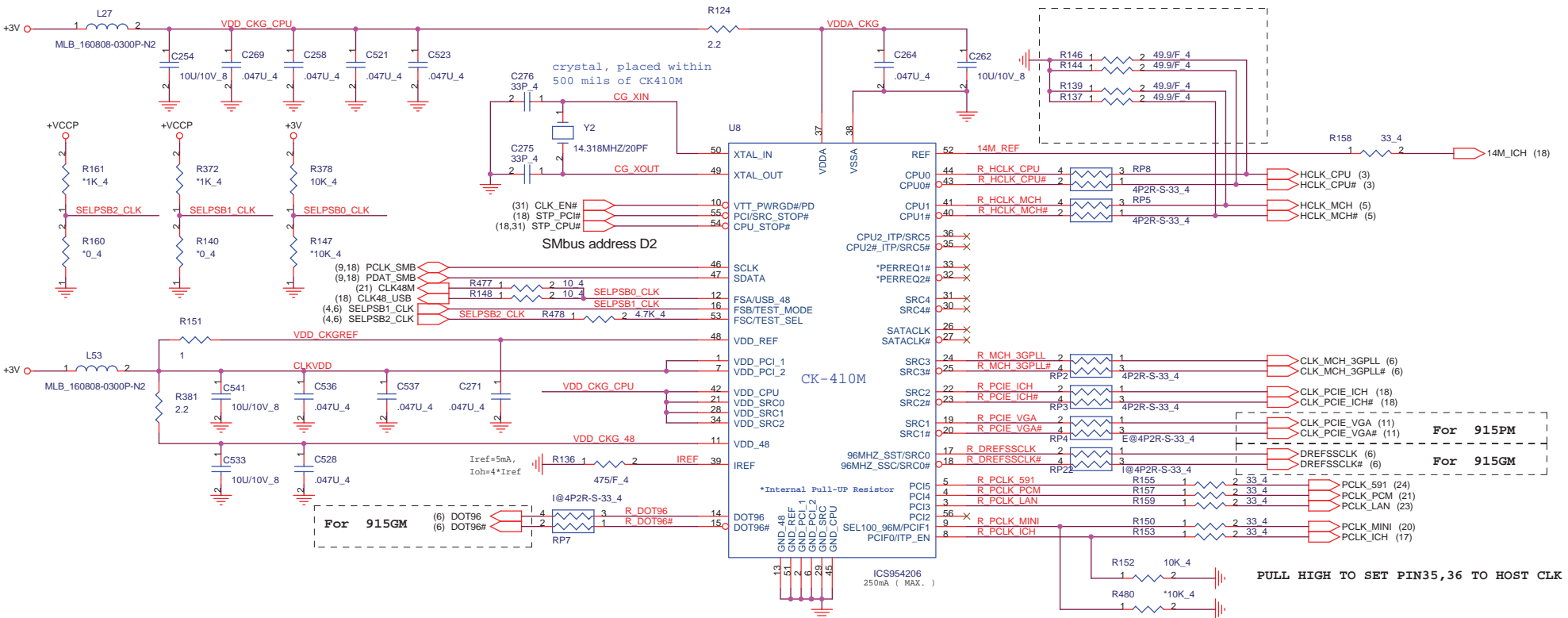
PCI ROUTING TABLE

REQ0# / GNT0#	IDSEL	INTERUPT	DEVICE
REQ0# / GNT0#	AD24	INTA#	REALTEK LAN
REQ2# / GNT2#	AD19	INTB# , INTD#	MINI-PCI
REQ1# / GNT1#	AD17	INTC#, INTD#, INTA#	TI 7411

PROJECT : BQ1
Quanta Computer Inc.

Size	Document Number	Rev
	BLOCK DIAGRAM	1A
Date:	Thursday, August 18, 2005	Sheet 1 of 32

Place these termination to close CK410M.



For 915GM (6) DOT96 (6) DOT96#

For 915PM CLK_PCIE_VGA# (11) CLK_PCIE_VGA# (11)

PULL HIGH TO SET PIN35,36 TO HOST CLK

- DOT96 R529 1 @49.9/F 4
- DOT96# R530 1 @49.9/F 4
- CLK_PCIE_VGA R138 1 @49.9/F 4
- CLK_PCIE_VGA# R135 1 @49.9/F 4
- CLK_MCH_3GPLL R360 1 @49.9/F 4
- CLK_MCH_3GPLL# R359 1 @49.9/F 4
- DREFSSCLK R143 1 @49.9/F 4
- DREFSSCLK# R141 1 @49.9/F 4
- CLK_PCIE_ICH R367 1 @49.9/F 4
- CLK_PCIE_ICH# R364 1 @49.9/F 4

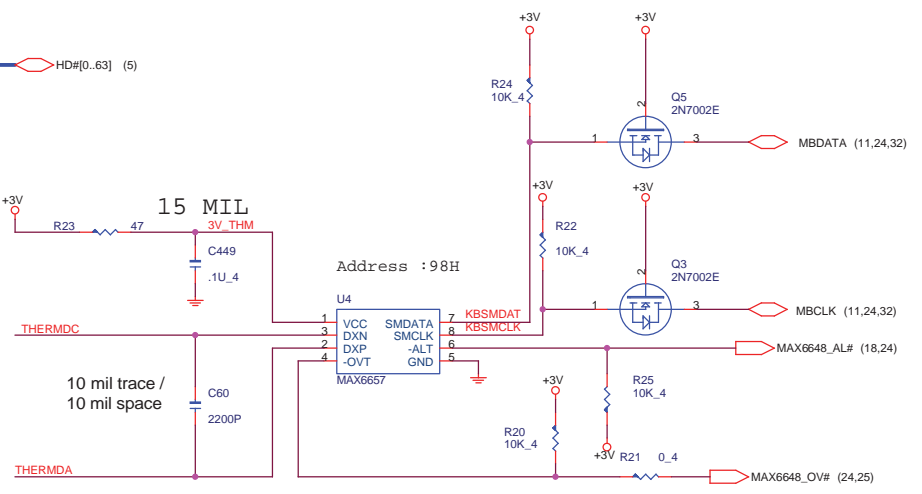
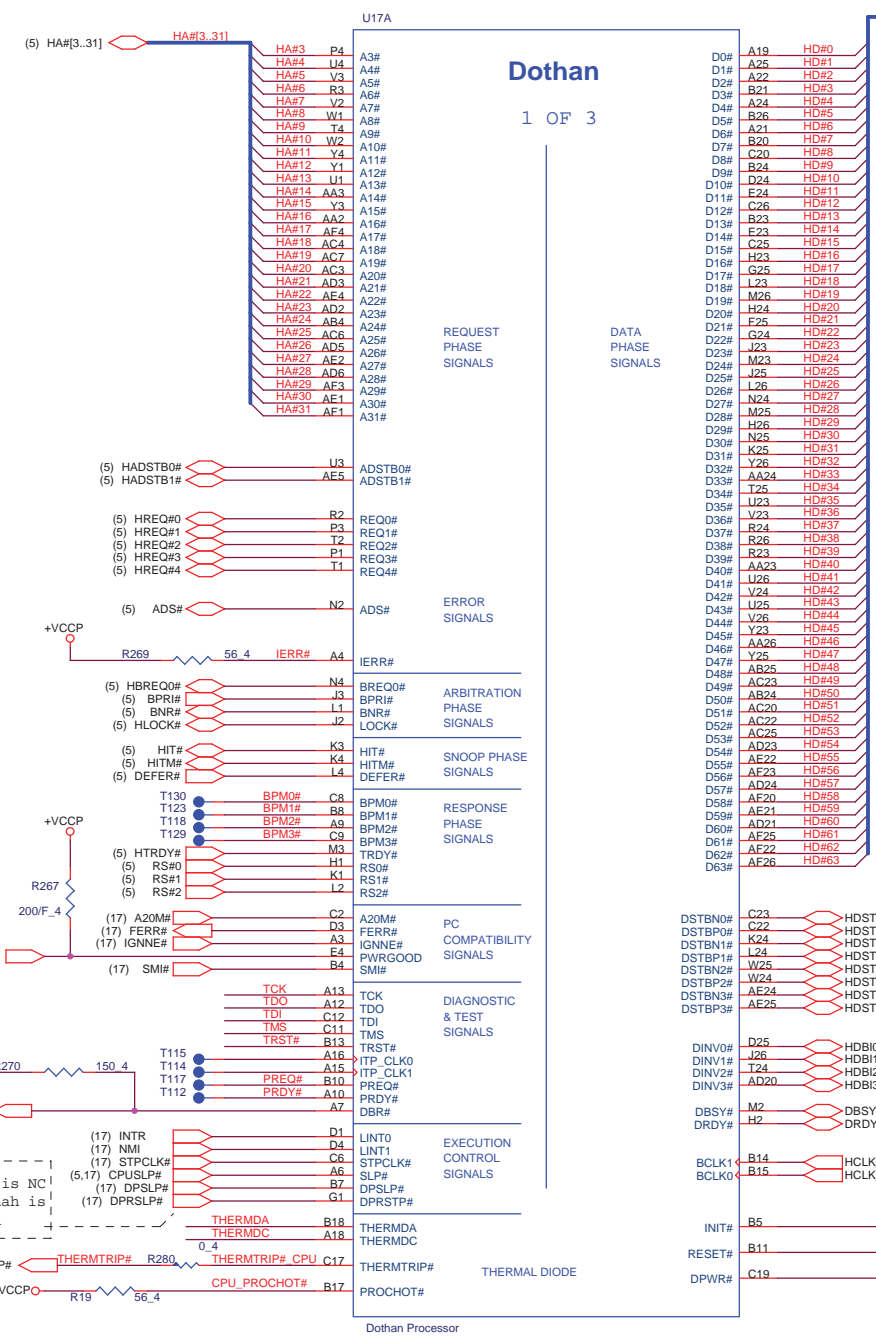
DOETHAN-A 400
DOETHAN-A 533

	FSC	FSB	FSA	CPU	SRC	PCI
DOETHAN-A 400	1	0	1	100	100	33
DOETHAN-A 533	0	0	1	133	100	33
	0	1	1	166	100	33
	0	1	0	200	100	33
	0	0	0	266	100	33
	1	0	0	333	100	33
	1	1	0	400	100	33
	1	1	1	RSVD	100	33

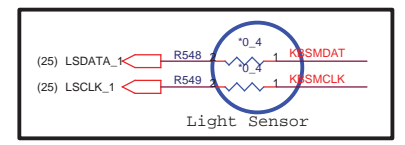
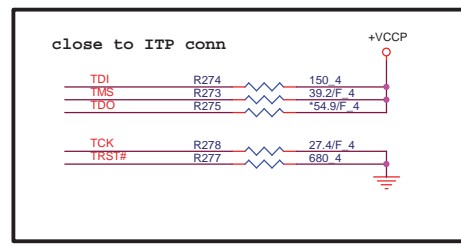
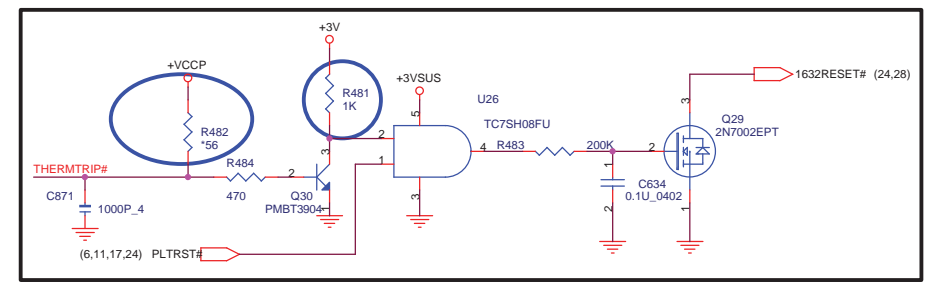
Place these termination to close CK410M.



Title CLOCK GENERATOR		
Size	Document Number BQ1	Rev 1A
Date:	Thursday, August 18, 2005	Sheet 2 of 32



Signal	Resistor Value	Connect To	Resistor Placement
TDI	150 ohm +/- 5%	VTT	Within 2.0" of the CPU
TMS	39 ohm +/- 5%	VTT	Within 2.0" of the CPU
TRST#	680 ohm +/- 5%	GND	Within 2.0" of the CPU
TCK	27 ohm +/- 5%	GND	Within 2.0" of the CPU
TDO	Open	VTT	Within 2.0" of the CPU



G1: Dothan is NC pin and Yonah is DPRSTP# pin

QUANTA COMPUTER

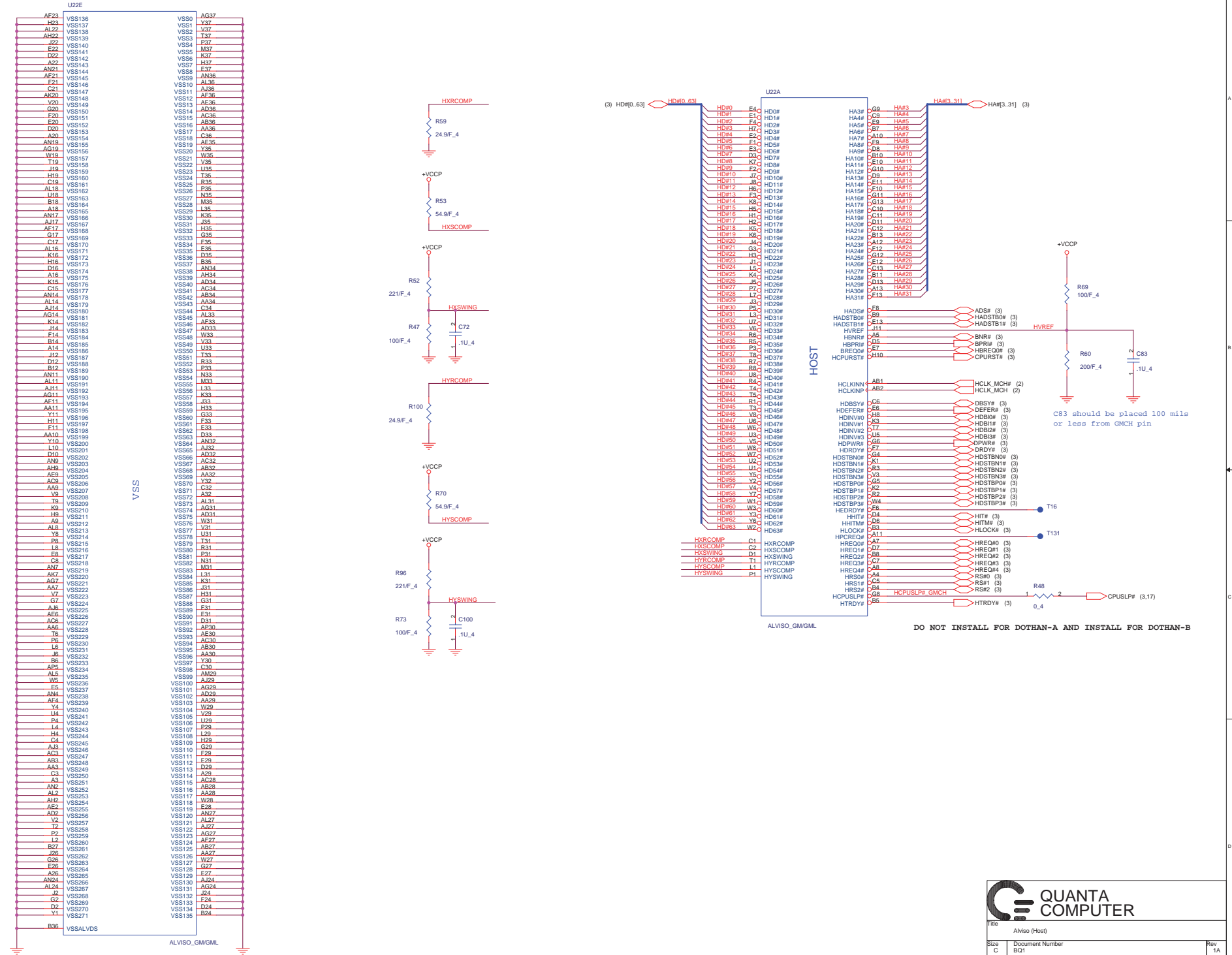
Title: Dothan Processor (HOST)

Size: Document Number BQ1

Date: Thursday, August 18, 2005

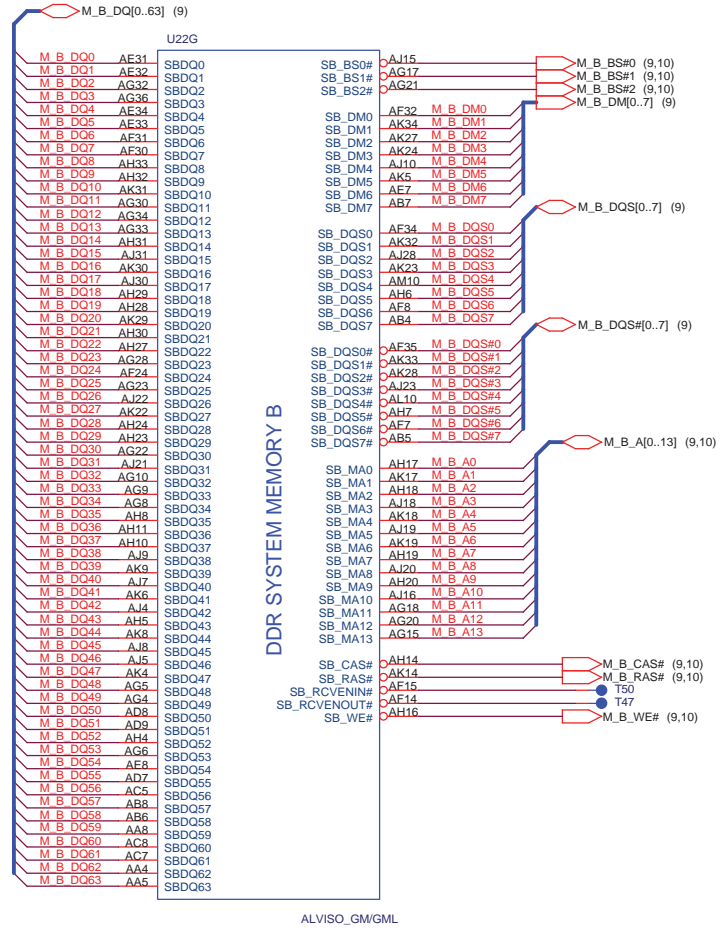
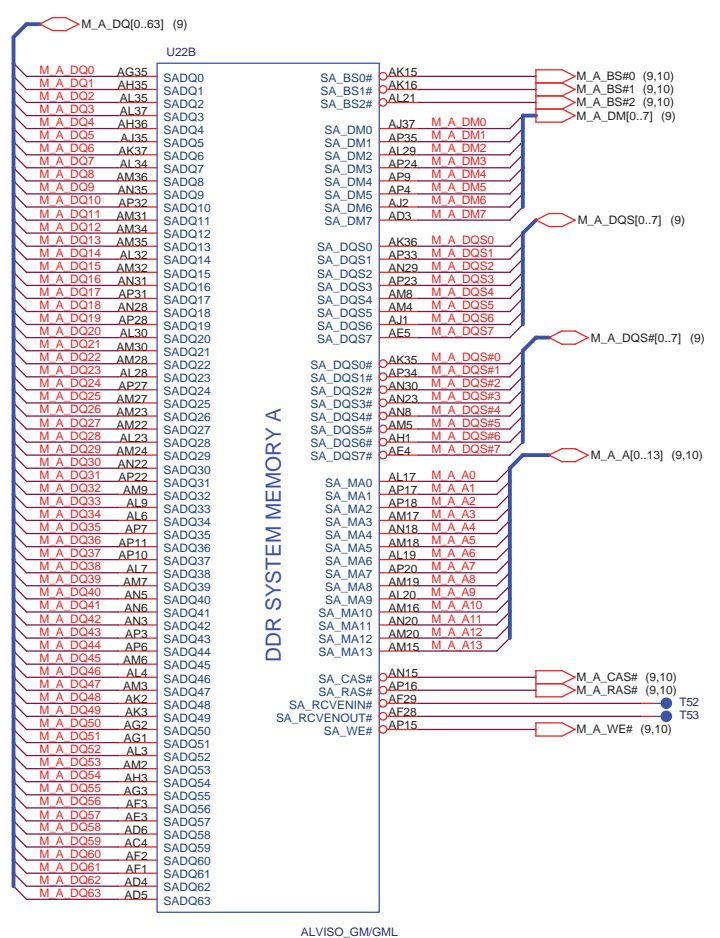
Sheet: 3 of 32

Rev: 1A



QUANTA COMPUTER

File	Alviso (Host)	
Size	Document Number	Rev
C	BQ1	1A
Date	Thursday, August 18, 2005	Sheet 5 of 32



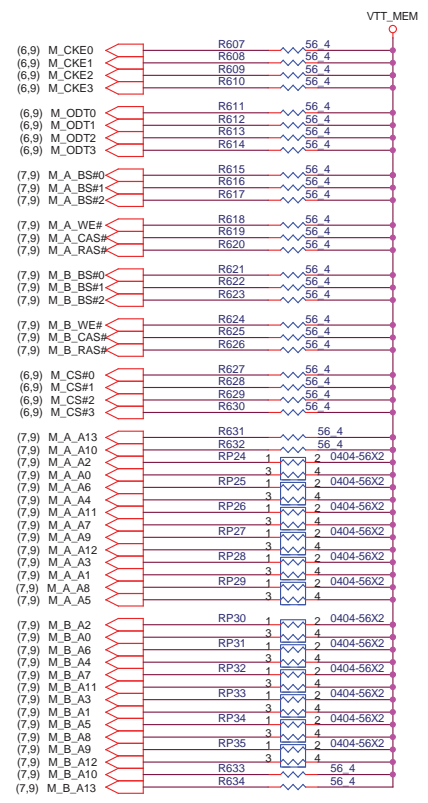
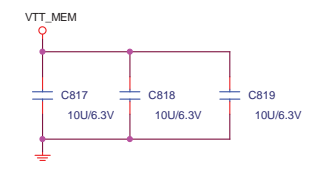
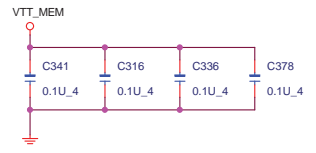
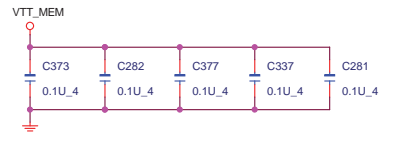
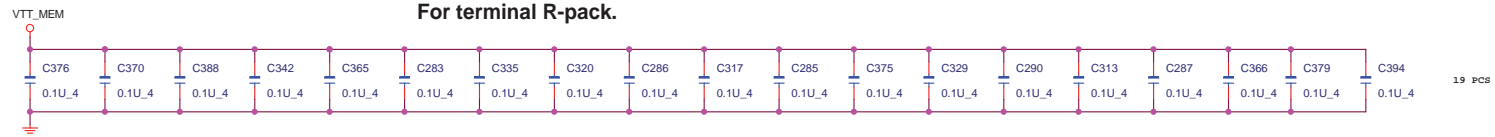
QUANTA COMPUTER

Title: Alviso (DDRII)

Size	Document Number	Rev
	BQ1	1A

Date: Thursday, August 18, 2005 Sheet 7 of 32

For terminal R-pack.



QUANTA COMPUTER

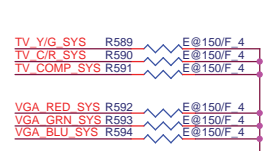
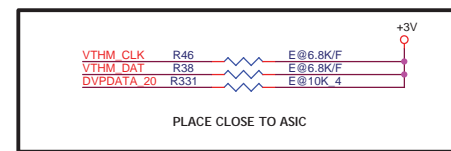
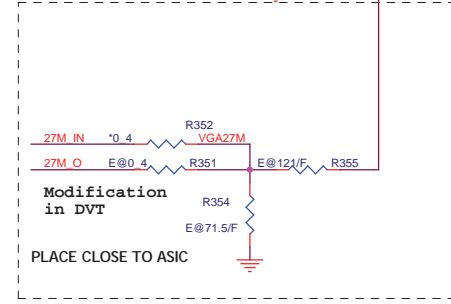
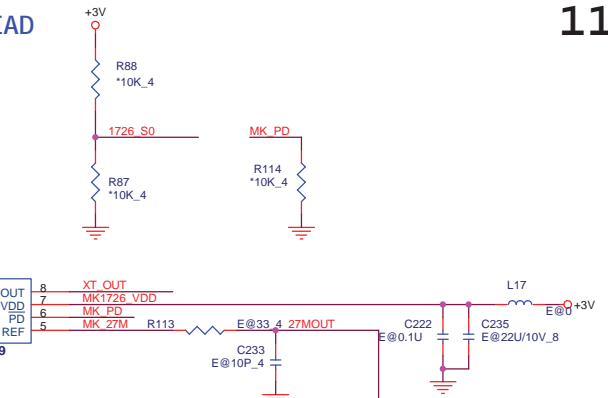
Title: DDRII TERMINATION

Size	Document Number	Rev
BQ1		1A
Date	Thursday, August 18, 2005	Sheet 10 of 32

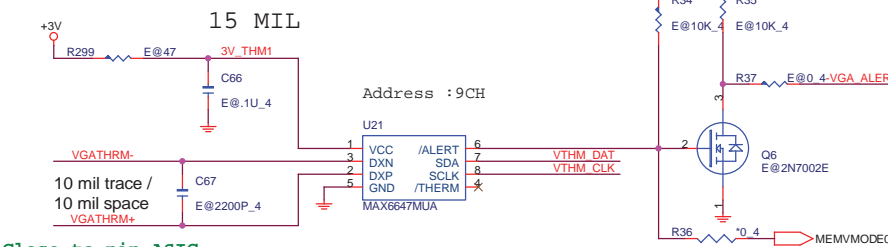
MEMORY CLOCK SPREAD SPECTRUM

SRS = 1 DOWN -2.5%
0 DOWN -1.8%
M DOWN -0.6%

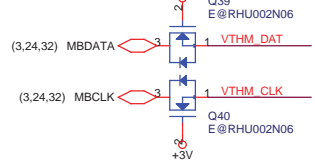
VGA_PWR to control 1.0V/1.2V



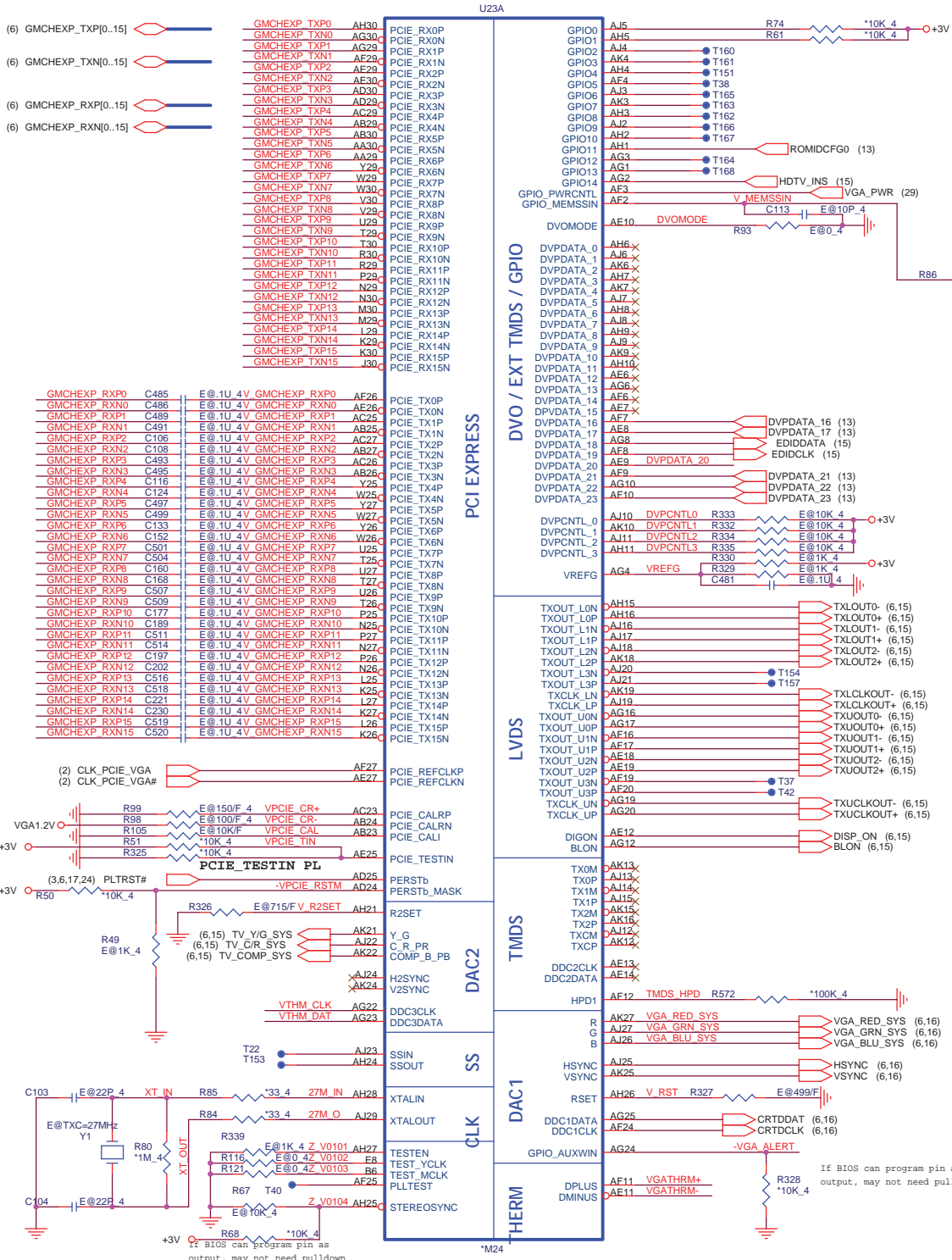
ADD ON 2/21

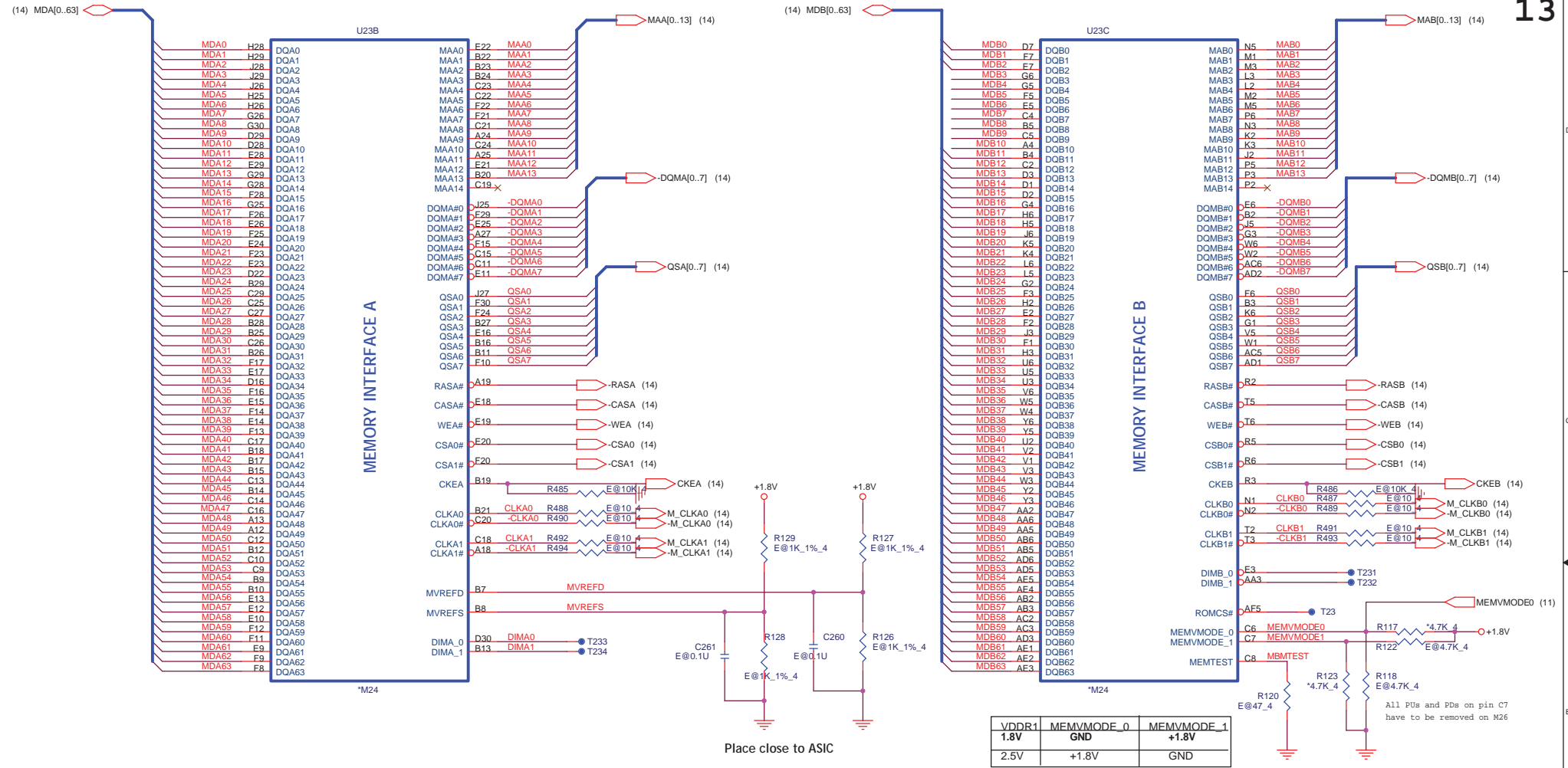


Close to pin ASIC



Title: VGA HOST(ATI M24-P)		
Size: BQ1	Document Number: BQ1	Rev: 1A
Date: Thursday, August 18, 2005	Sheet: 11 of 32	





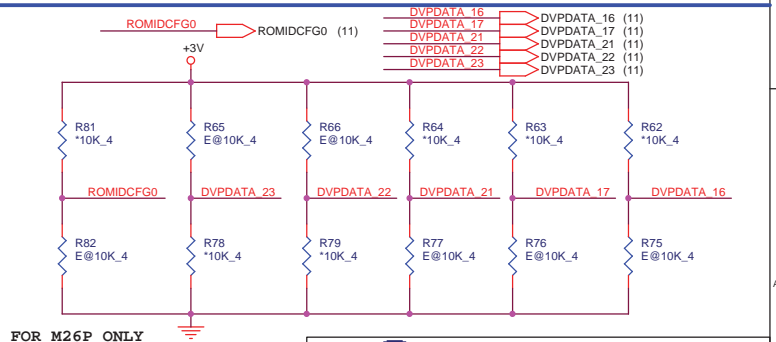
Place close to ASIC

All PUs and PDs on pin C7 have to be removed on M26

STRAPS PIN

GPIO_0	PCI-Express Current Calibration Bandgap Backup 0: use reference voltage from Bandgap 1: use reference voltage from resistor divider
GPIO_1	PCI-Express PLL Calibration force enable 0: Disable PLL force calibration 1: Enable PLL force calibration
GPIO_(3,2)	00: PCI Express 1.0 mode 01: RESERVED 10: PCI Express 1.0 mode 11: RESERVED
GPIO_4	Turn off PCI-Express impedance / strength calibration 0: enable 1: disable
GPIO_5	Bypass PCI-Express PLL

GPIO_6	PCI-Express transmitter current compensation 0: Normal 1: Inject extra current for output buffer switching
GPIO_8	Strap to set the debug muxes to bring out DEBUG signals even if registers are inaccessible
GPIO(9,13:11)	ROMIDCFG
INT P/D	0x0x: No ROM, CHG_ID=0 0x1x: No Rom, CHG_ID=1 1000: Parallel ROM, Chip ID'S from ROM 1000: Parallel ROM, Chip ID'S from ROM
DVPDATA_21-23	DVPDATA_21: 0=4Mx32 1=8Mx32 DVPDATA_22: 0=128M 1=64M DVPDATA_23: 0=Hynix 1=Samsung



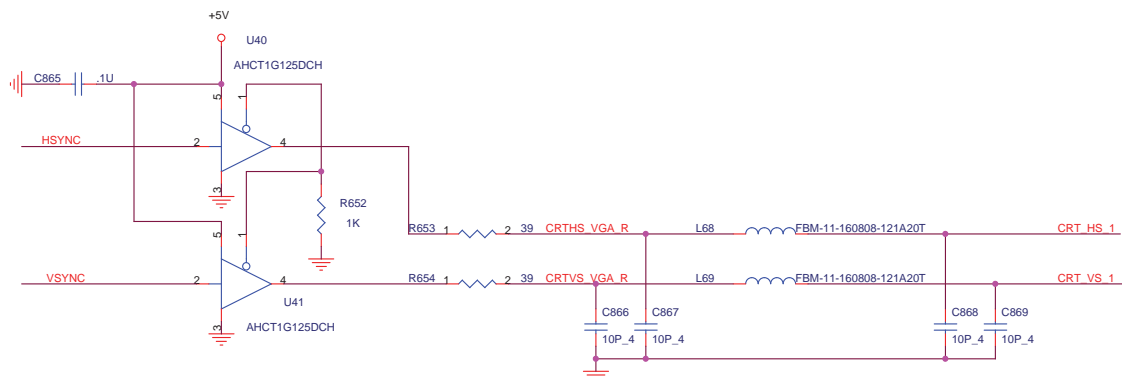
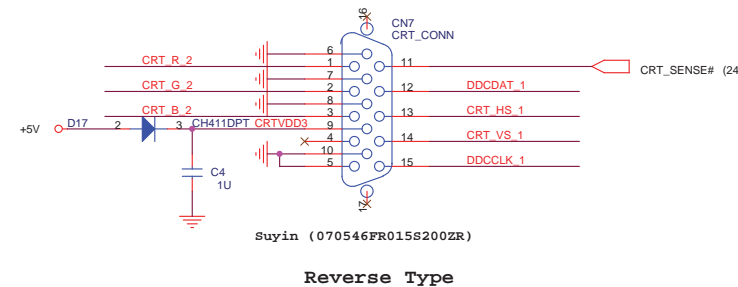
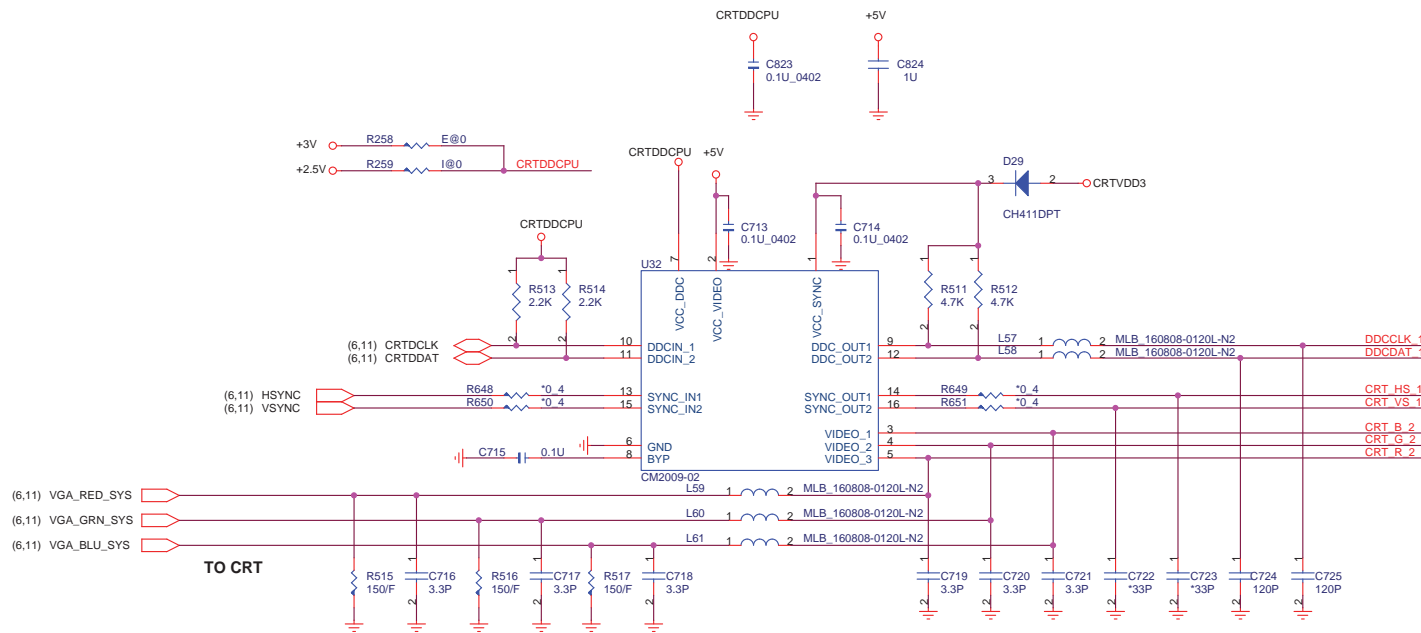
FOR M26P ONLY
0: 128M
1: 256M

PROJECT :BQ1
Quanta Computer Inc.

Size Custom Document Number Rev 1A

ATI M24-P MEM/STRAPS

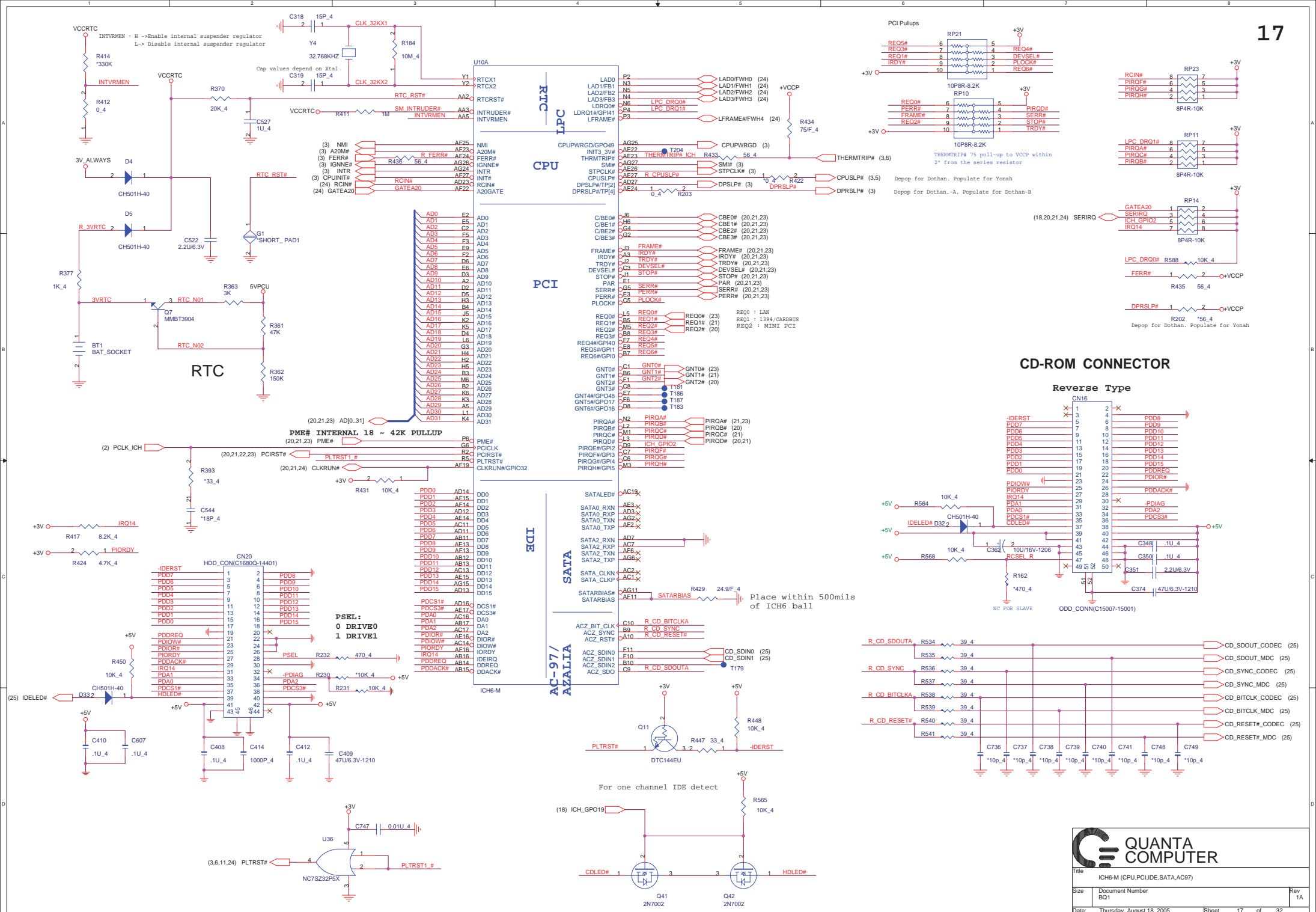
Date: Thursday, August 18, 2005 Sheet 13 of 32



33BQ1AB0002
43BQ1SS0007

PROJECT : BQ1
Quanta Computer Inc.

Size	Document Number	Rev
	CRT	1A
Sheet	16 of 32	



QUANTA COMPUTER

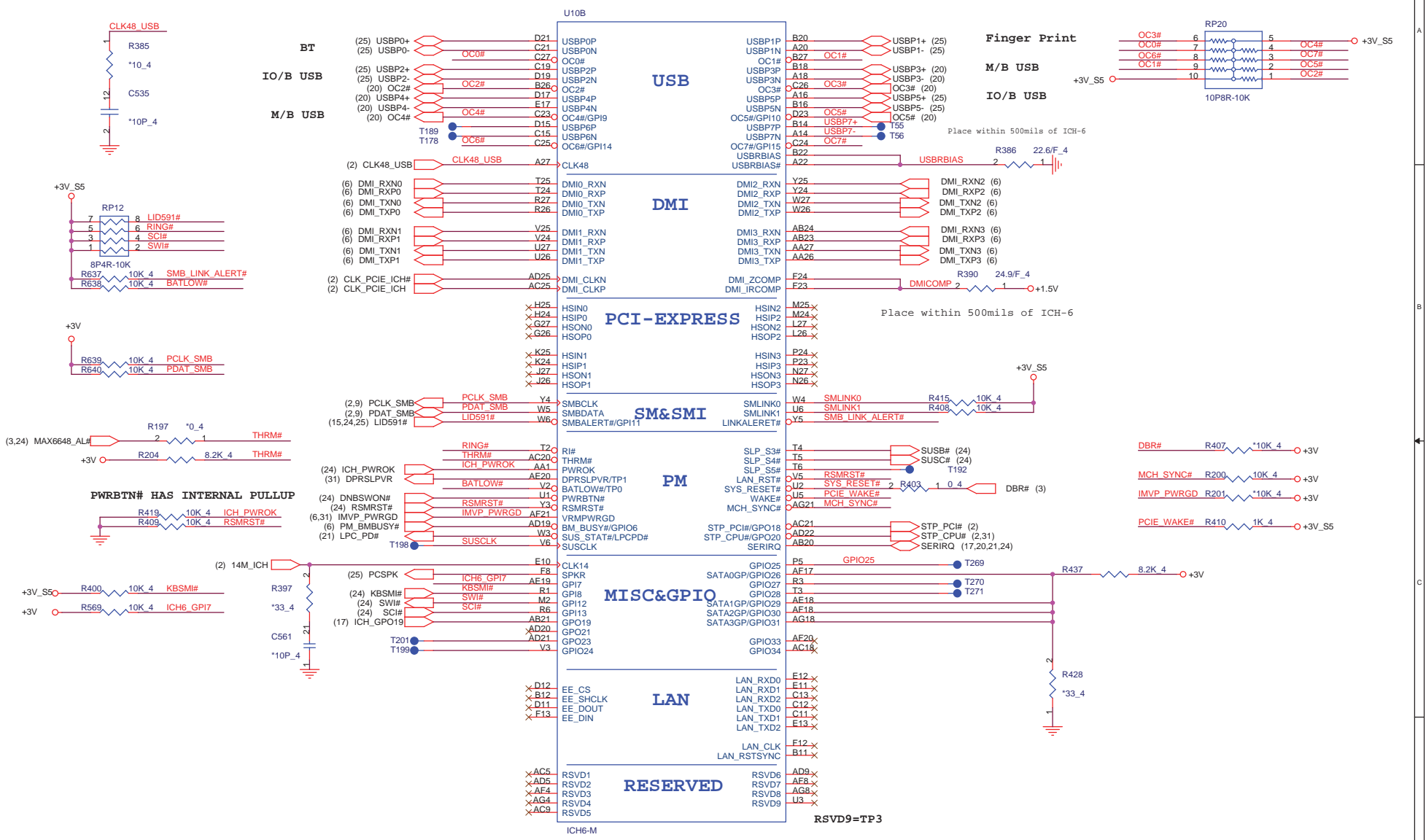
Title: ICH6-M (CPU,P.C.I./IDE,SATA,AC97)

Size: Document Number BQ1

Date: Thursday, August 18, 2005

Sheet: 17 of 32

Rev: 1A

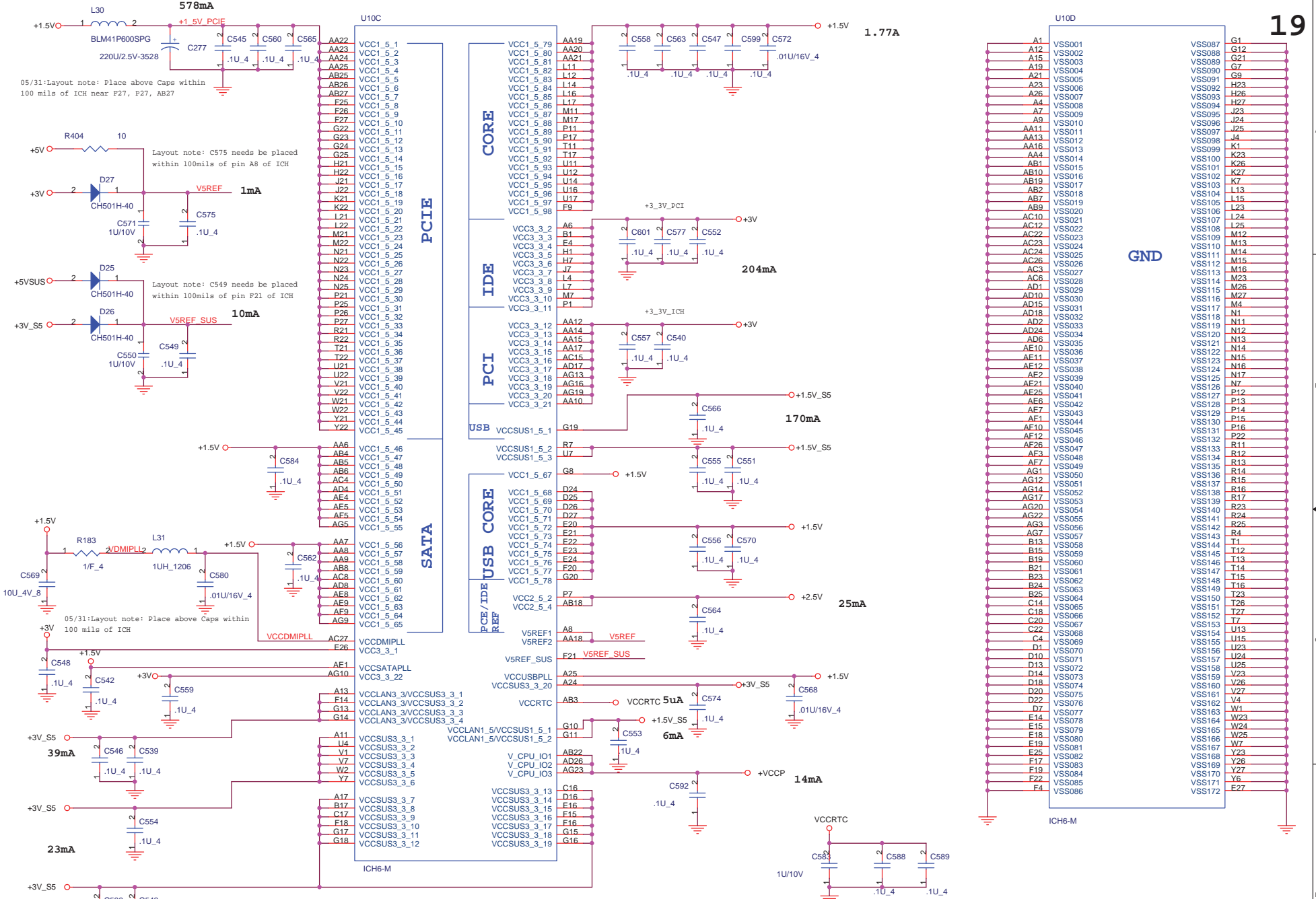


QUANTA COMPUTER

Title: ICH6-M (USB,DMI,LPC)

Size: Document Number BQ1 Rev 1A

Date: Thursday, August 18, 2005 Sheet 18 of 32



QUANTA COMPUTER

Title: ICH6-M (POWER&GND)

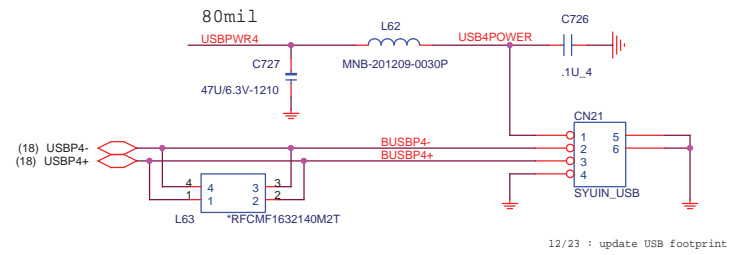
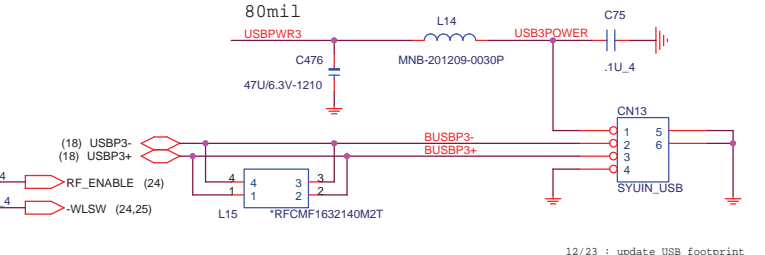
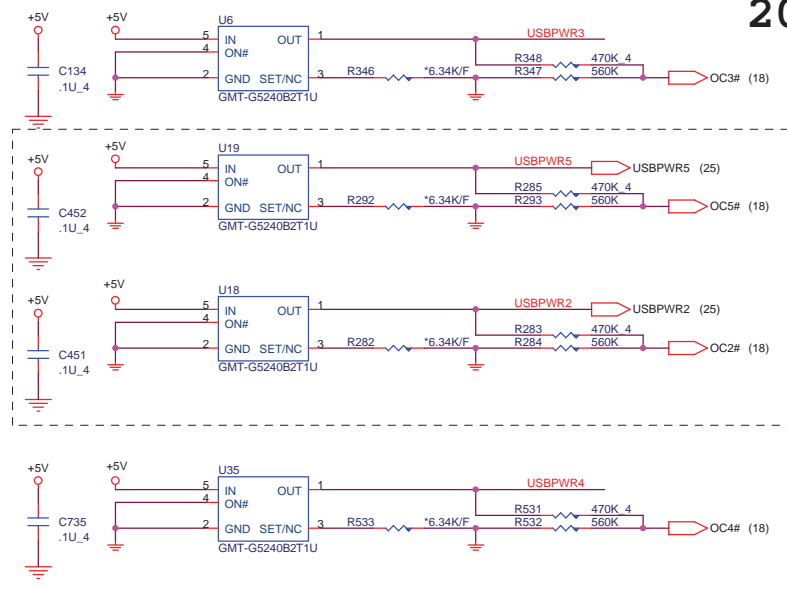
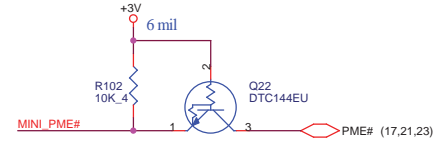
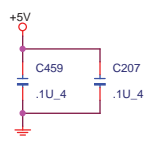
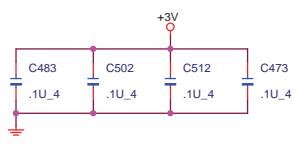
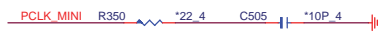
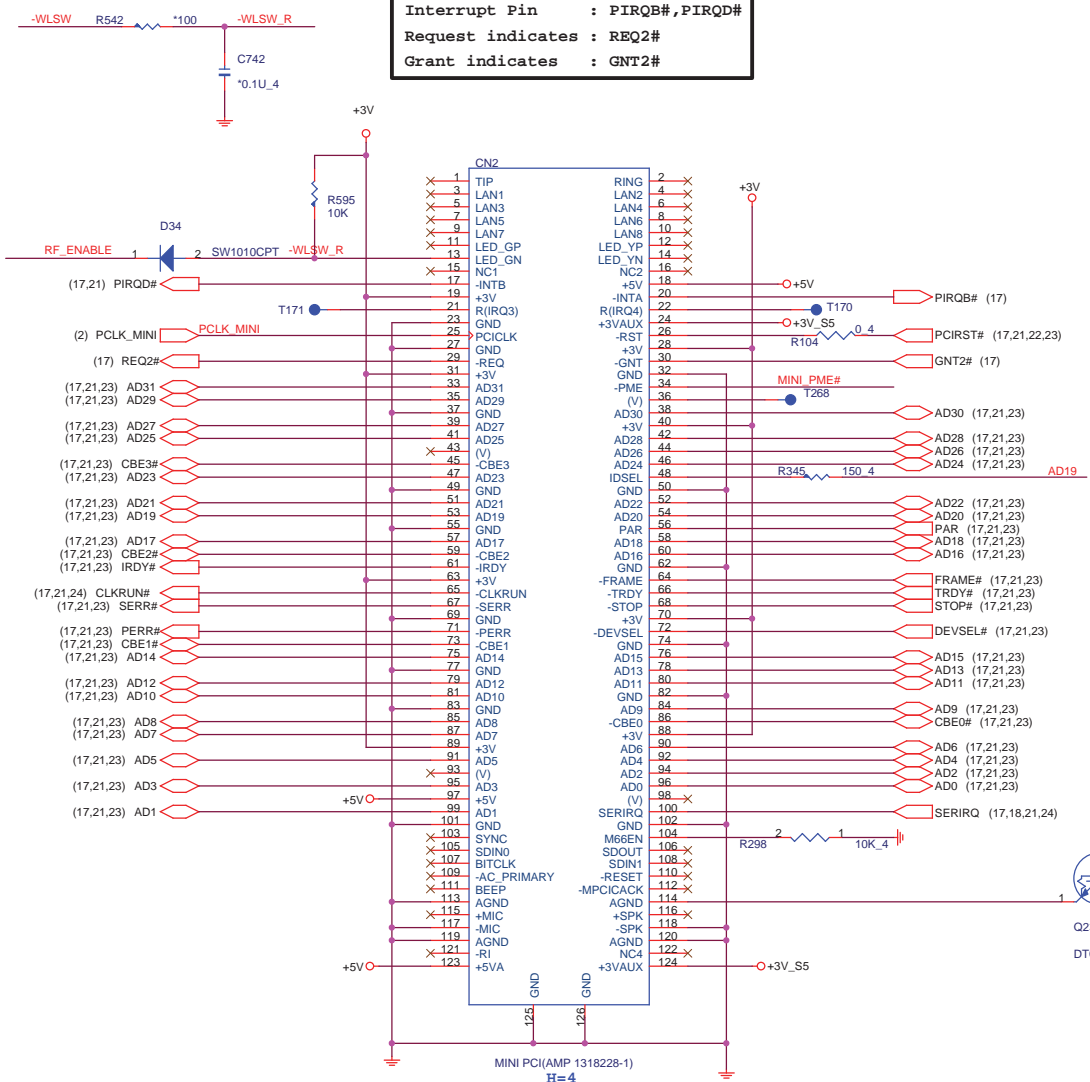
Size	Document Number	Rev
	BQ1	1A

Date: Thursday, August 18, 2005 Sheet 19 of 32

MINI PCI SOCKET

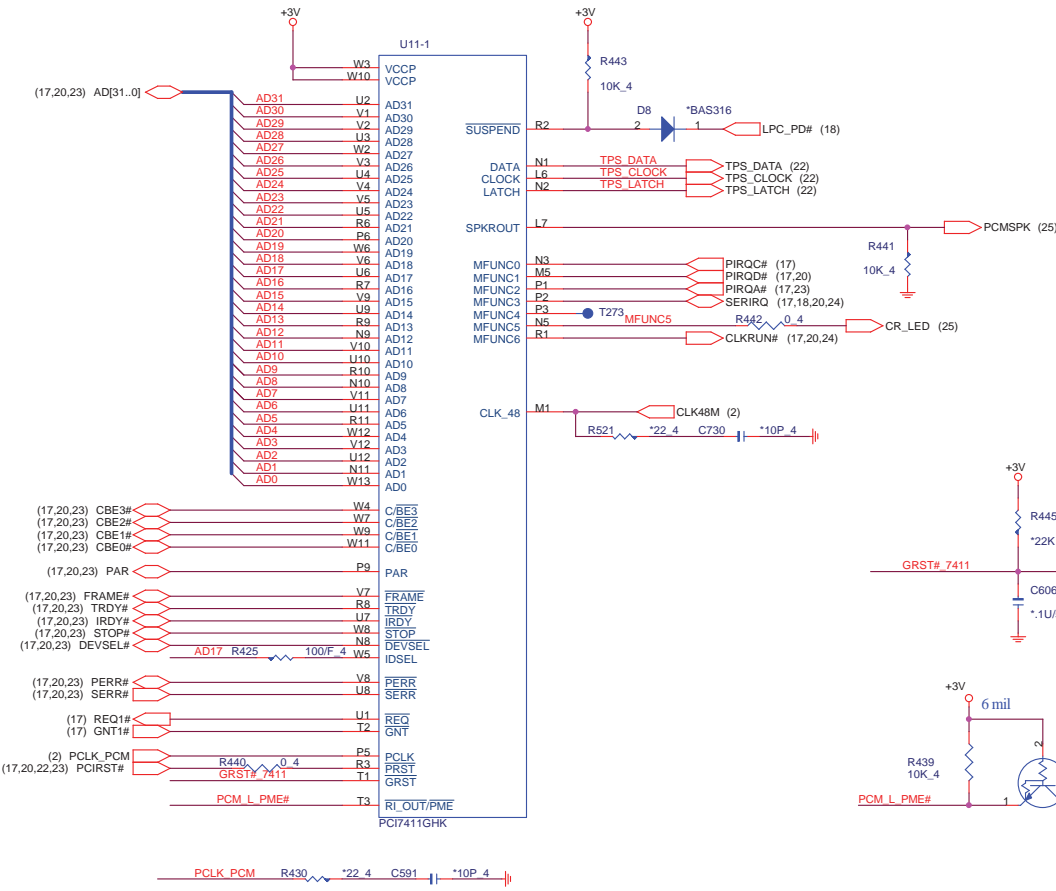
ID Select : AD19
 Interrupt Pin : PIRQB#,PIRQD#
 Request indicates : REQ2#
 Grant indicates : GNT2#

MINI-PCI



PROJECT : BQ1
Quanta Computer Inc.

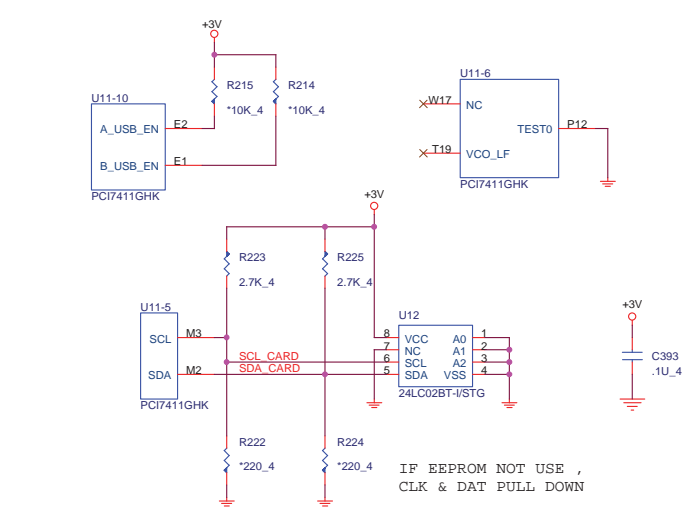
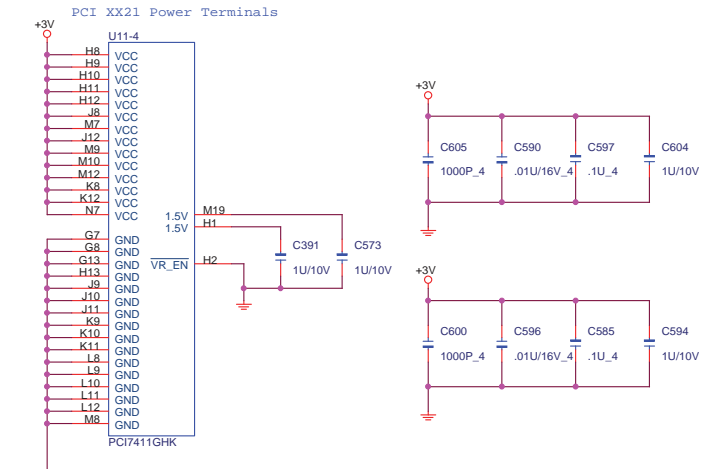
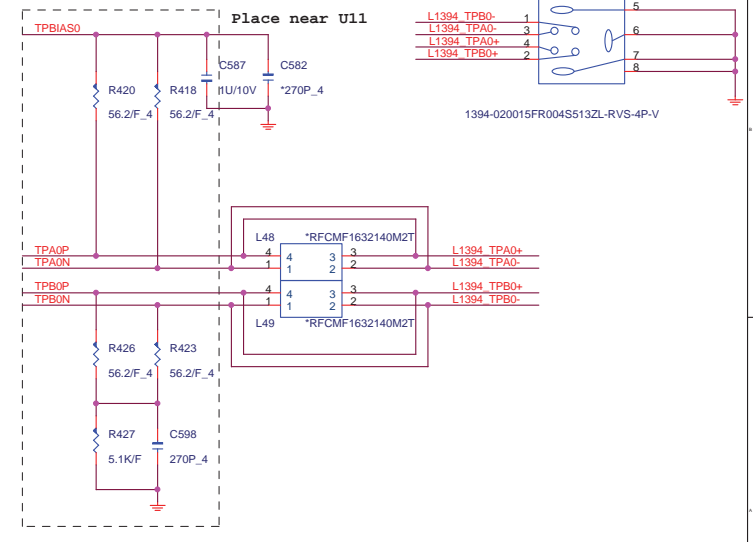
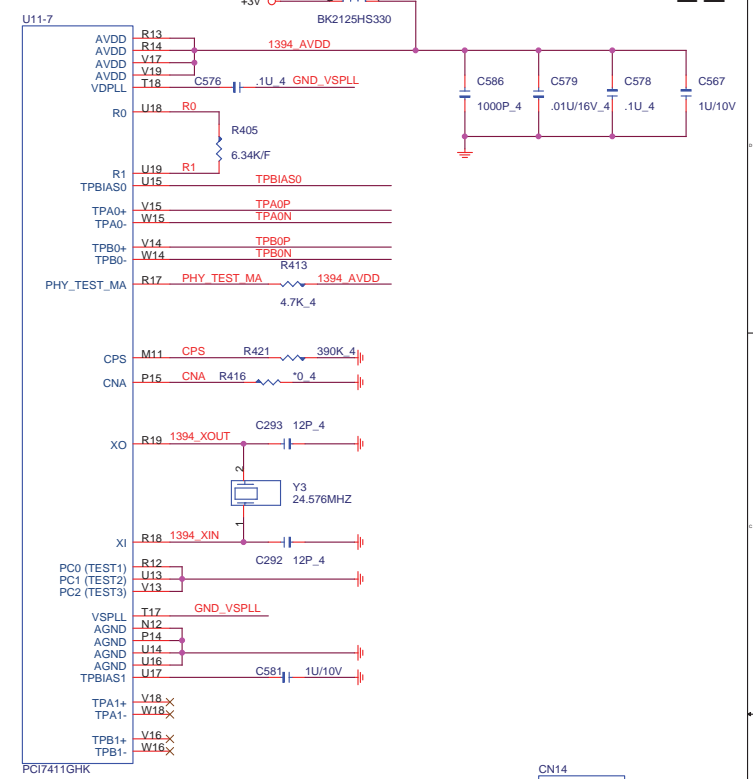
Size	Document Number	Rev
	MINI PCI,USB	1A
Date:	Thursday, August 18, 2005	Sheet 20 of 32



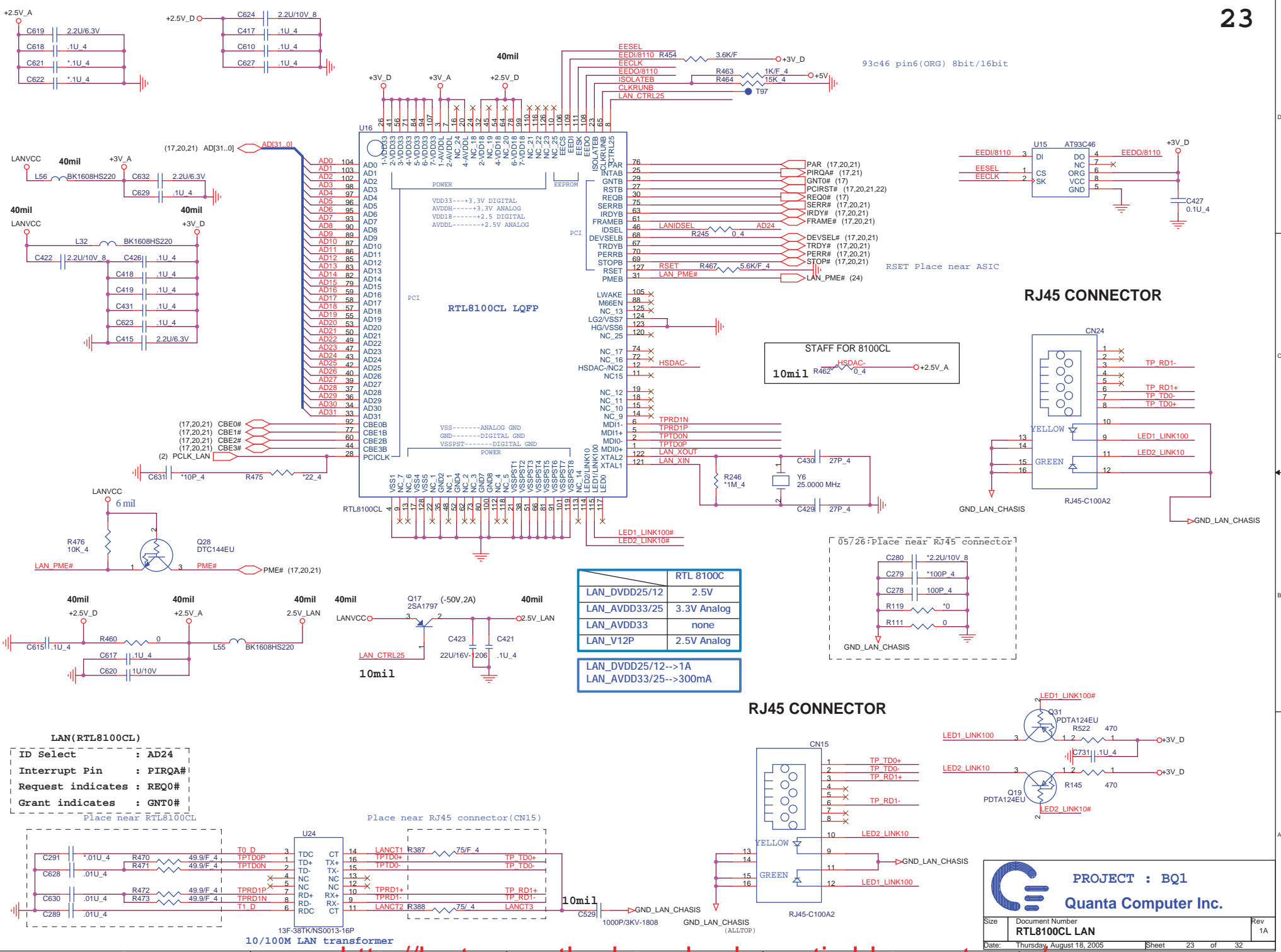
6/09 : To Solve CardBus no sound .

6/09 : Del D30 , change 0 ohm

IEEE 1394a



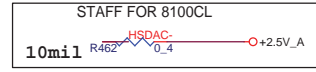
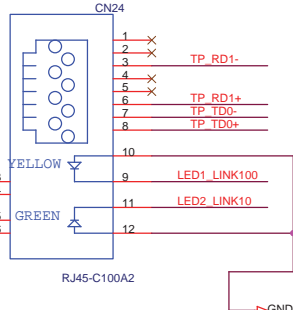
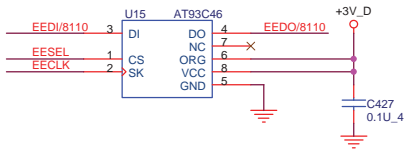
PROJECT : BQ1
Quanta Computer Inc.
 Size Document Number Rev 1A
PCMCIA CONTROLLER
 Date: Thursday, August 18, 2005 Sheet 21 of 32



93c46 pin6(ORG) 8bit/16bit

RSET Place near ASIC

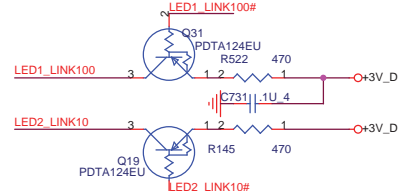
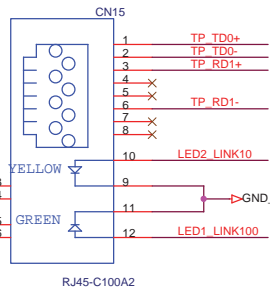
RJ45 CONNECTOR



	RTL 8100C
LAN_DVDD25/12	2.5V
LAN_AVDD33/25	3.3V Analog
LAN_AVDD33	none
LAN_V12P	2.5V Analog

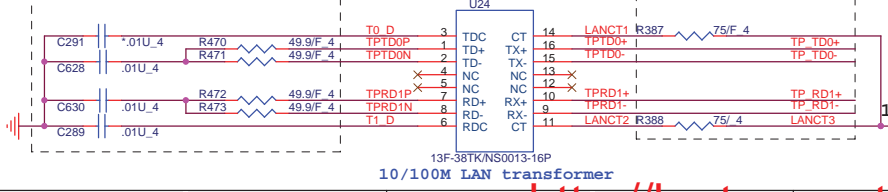
LAN_DVDD25/12-->1A
 LAN_AVDD33/25-->300mA

RJ45 CONNECTOR



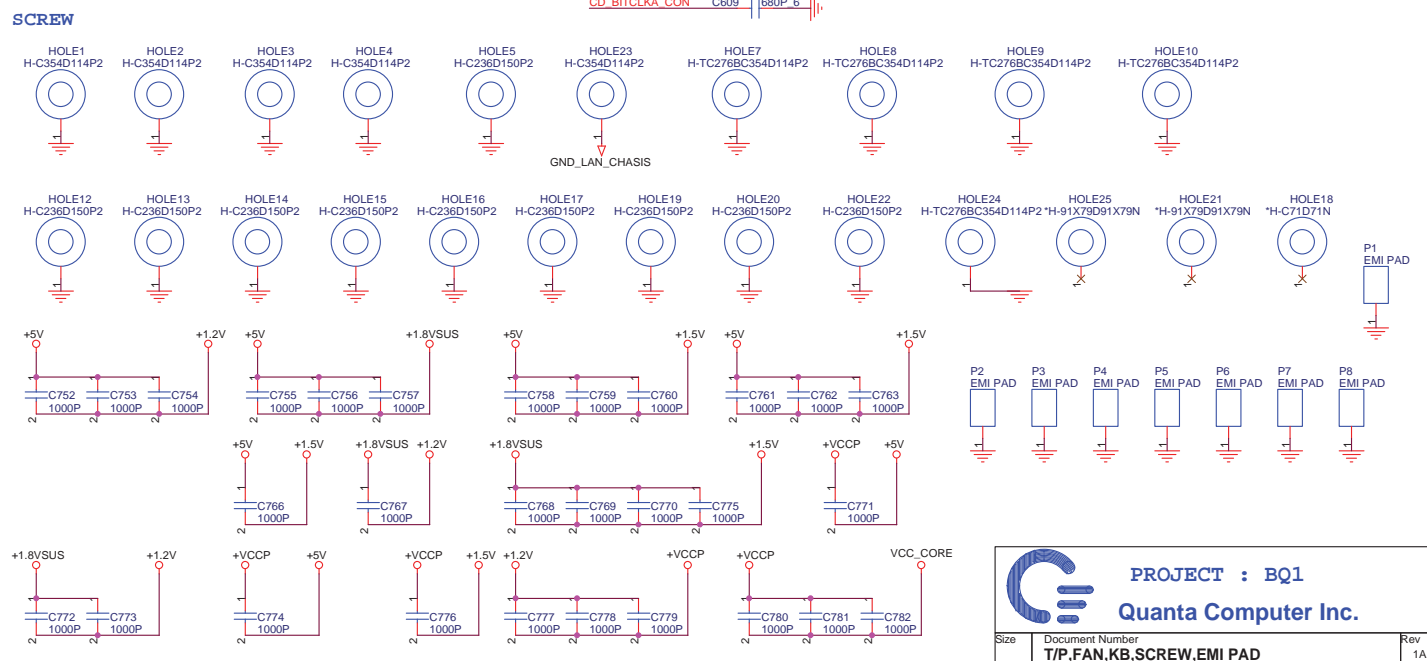
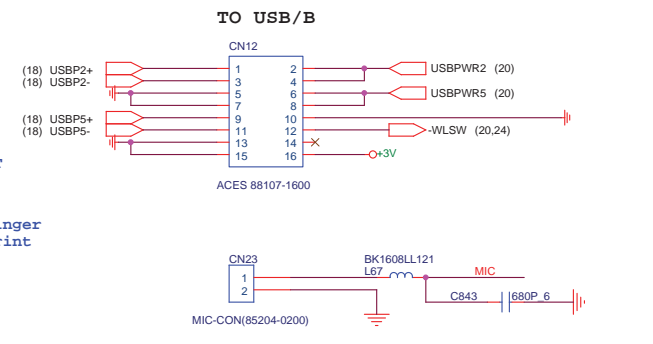
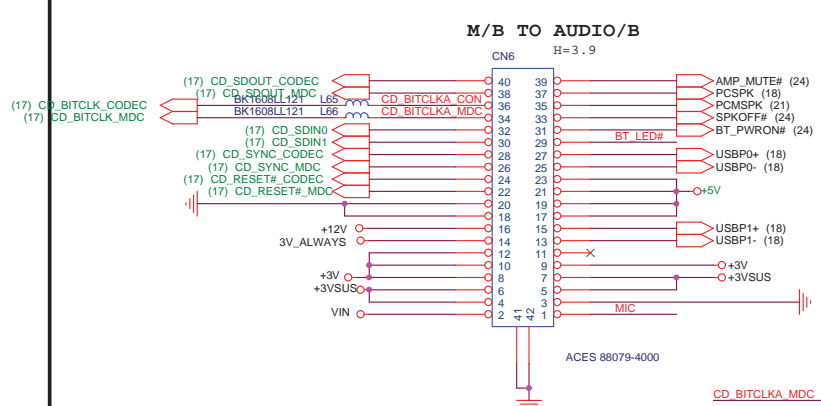
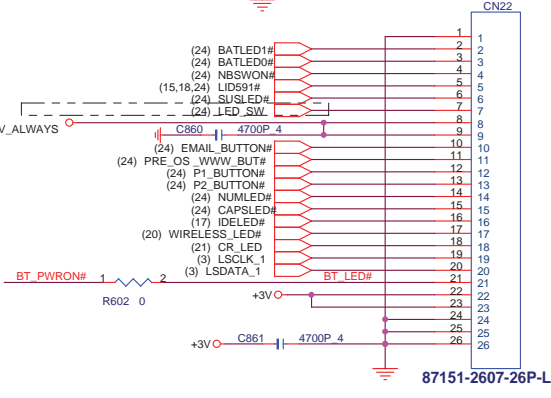
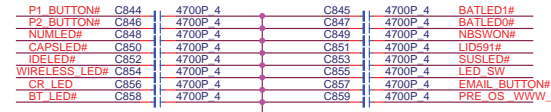
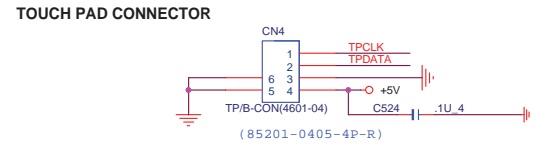
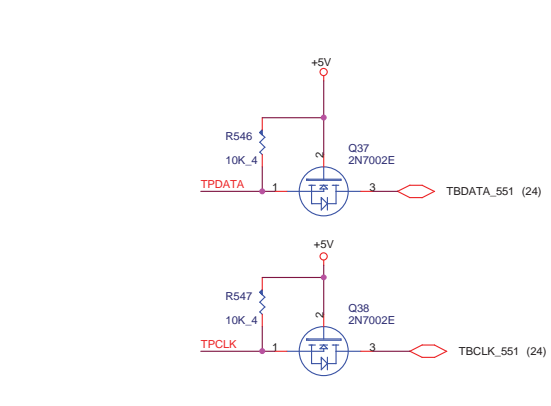
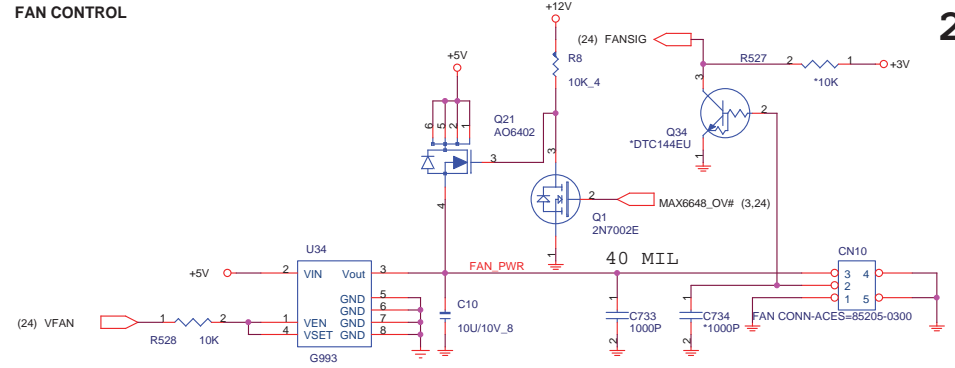
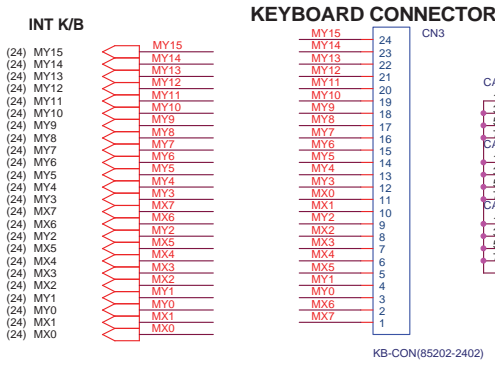
LAN (RTL8100CL)
 ID Select : AD24
 Interrupt Pin : PIRQA#
 Request indicates : REQ0#
 Grant indicates : GNT0#
 Place near RTL8100CL

Place near RJ45 connector (CN15)



PROJECT : BQ1
Quanta Computer Inc.

Size	Document Number	Rev
	RTL8100CL LAN	1A
Date:	Thursday, August 18, 2005	Sheet 23 of 32

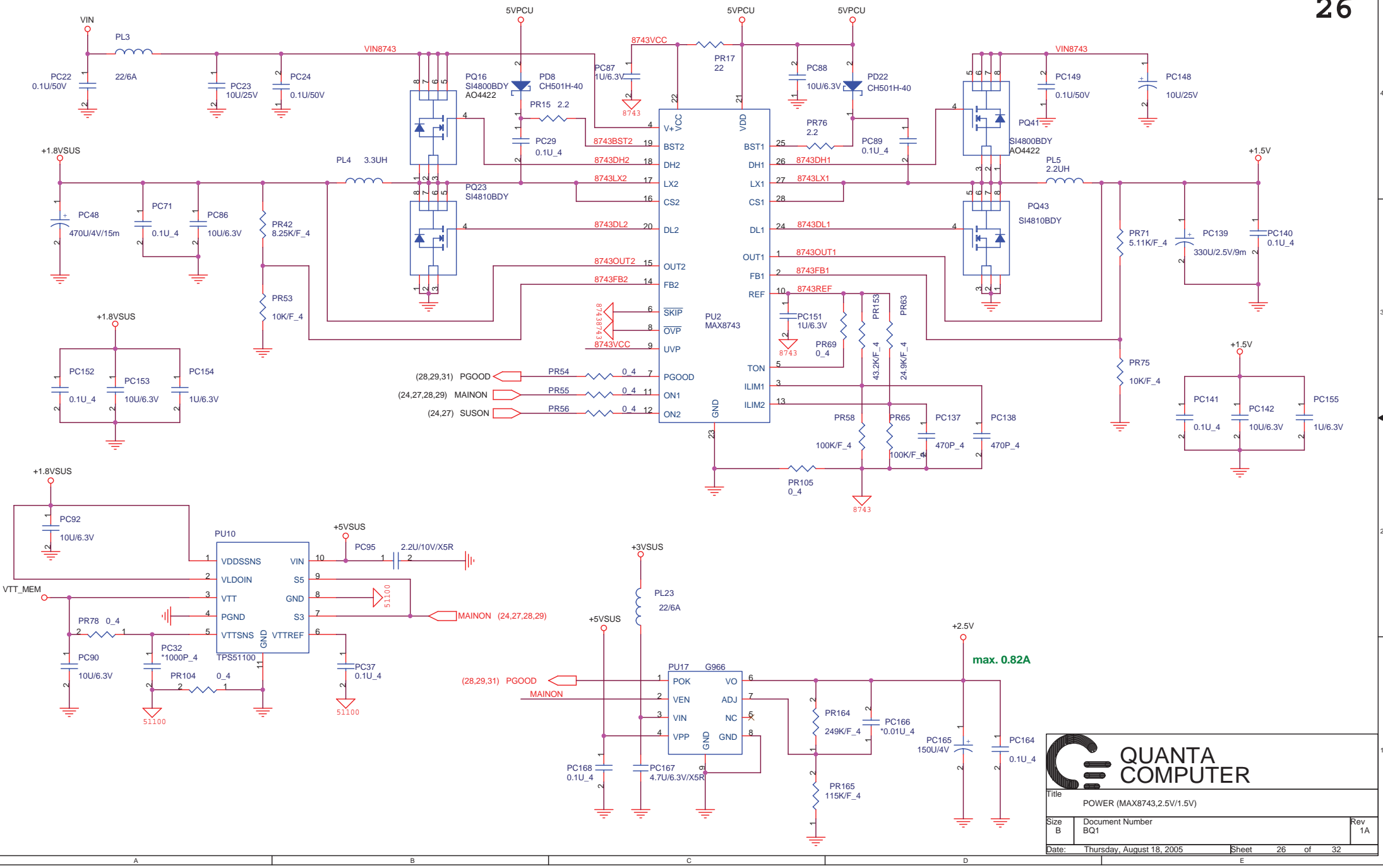



PROJECT : BQ1

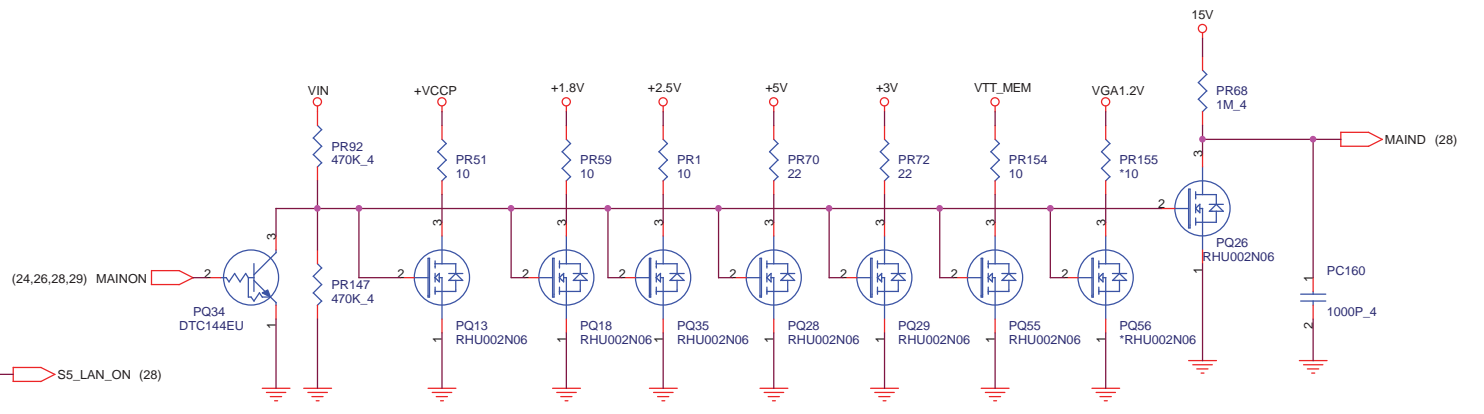
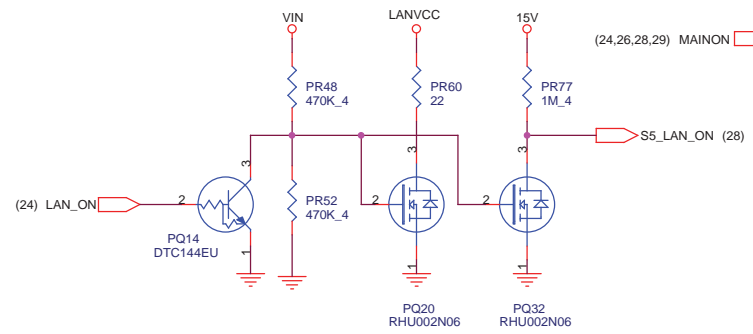
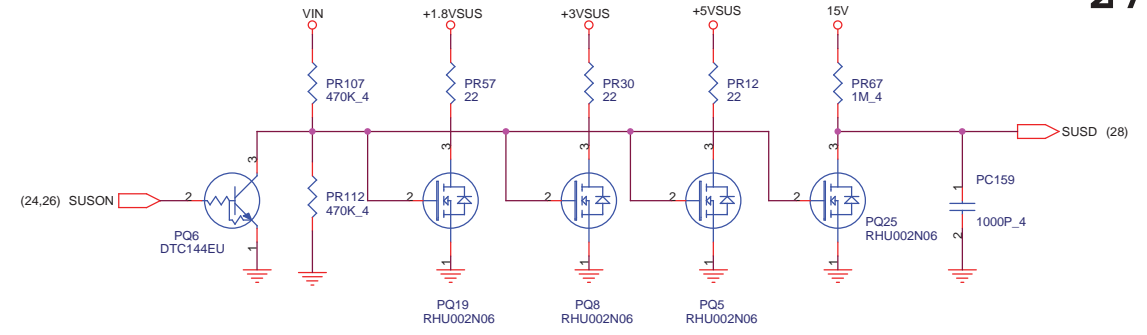
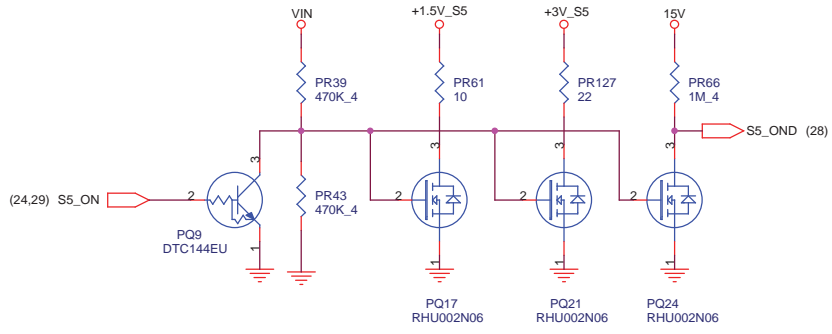
Quanta Computer Inc.

Size: Document Number: T/P,FAN,KB,SCREW,EMI PAD Rev 1A

Date: Thursday, August 18, 2005 Sheet 25 of 32



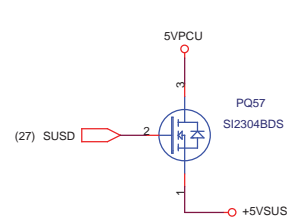
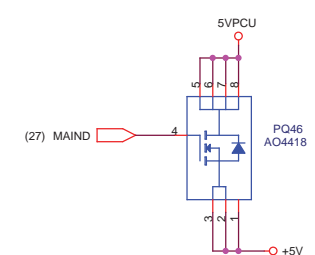
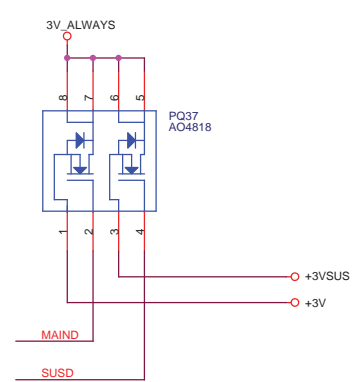
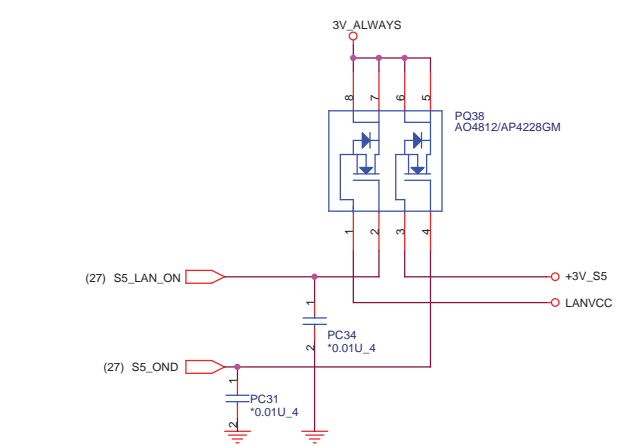
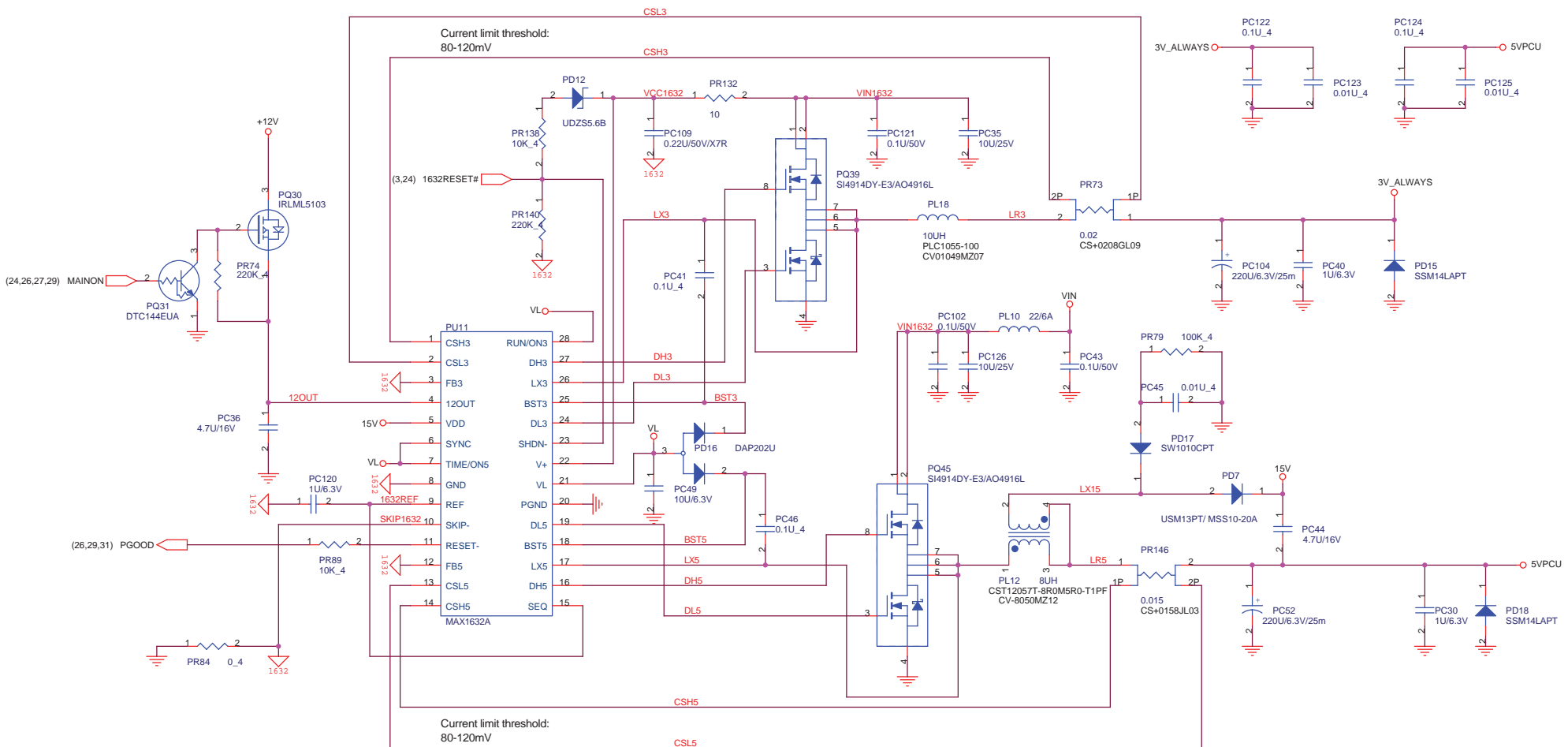
 QUANTA COMPUTER		Title	
		POWER (MAX8743,2.5V/1.5V)	
Size	B	Document Number	BQ1
		Rev	1A
Date:	Thursday, August 18, 2005	Sheet	26 of 32



QUANTA COMPUTER

Title: POWER (DISCHARGE)

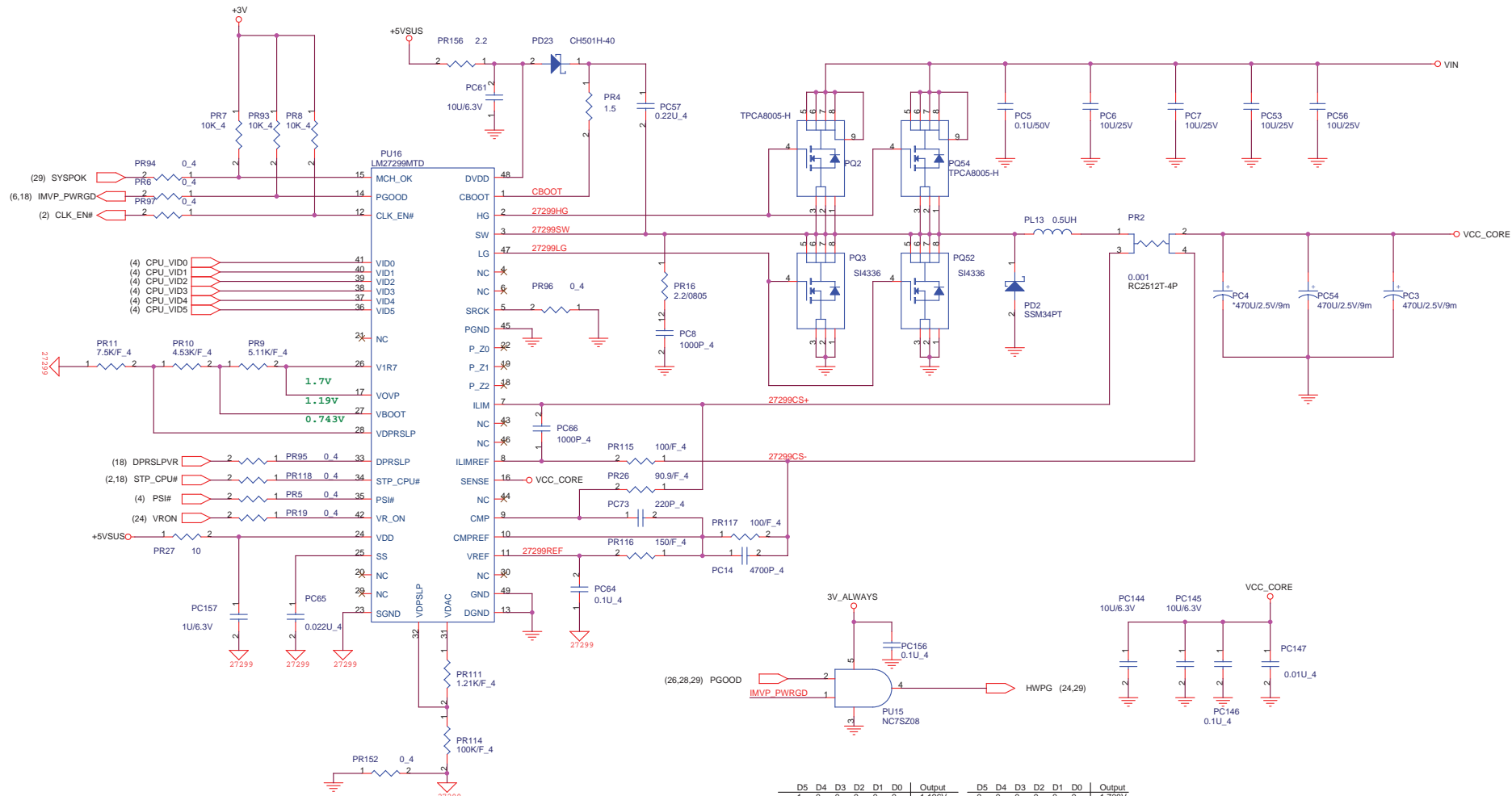
Size: Document Number BQ1	Rev: 1A
Date: Thursday, August 18, 2005	Sheet: 27 of 32



QUANTA COMPUTER

Title: POWER (MAX1632/5V/3.3V)

Size	Document Number BQ1	Rev 1A
Date:	Thursday, August 18, 2005	Sheet 28 of 32



D5	D4	D3	D2	D1	D0	Output	D5	D4	D3	D2	D1	D0	Output
1	0	0	0	0	0	1.196V	0	0	0	0	0	0	1.708V
1	0	0	0	0	1	1.180V	0	0	0	0	0	1	1.692V
1	0	0	1	0	0	1.164V	0	0	0	0	1	0	1.676V
1	0	0	0	1	1	1.148V	0	0	0	0	1	1	1.660V
1	0	0	1	0	0	1.132V	0	0	0	1	0	0	1.644V
1	0	0	1	0	1	1.116V	0	0	0	1	0	1	1.628V
1	0	0	1	1	0	1.100V	0	0	0	1	1	0	1.612V
1	0	0	1	1	1	1.084V	0	0	0	1	1	1	1.596V
1	0	1	0	0	0	1.068V	0	0	1	0	0	0	1.580V
1	0	1	0	0	1	1.052V	0	0	1	0	0	1	1.564V
1	0	1	0	1	0	1.036V	0	0	1	0	1	0	1.548V
1	0	1	0	1	1	1.020V	0	0	1	0	1	1	1.532V
1	0	1	1	0	0	1.004V	0	0	1	1	0	0	1.516V
1	0	1	1	0	1	0.988V	0	0	1	1	0	1	1.500V
1	0	1	1	1	0	0.972V	0	0	1	1	1	0	1.484V
1	0	1	1	1	1	0.956V	0	0	1	1	1	1	1.468V
1	1	0	0	0	0	0.940V	0	1	0	0	0	0	1.452V
1	1	0	0	0	1	0.924V	0	1	0	0	0	1	1.436V
1	1	0	0	1	0	0.908V	0	1	0	0	1	0	1.420V
1	1	0	0	1	1	0.892V	0	1	0	0	1	1	1.404V
1	1	0	1	0	0	0.876V	0	1	0	1	0	0	1.388V
1	1	0	1	0	1	0.860V	0	1	0	1	0	1	1.372V
1	1	0	1	1	0	0.844V	0	1	0	1	1	0	1.356V
1	1	0	1	1	1	0.828V	0	1	0	1	1	1	1.340V
1	1	1	0	0	0	0.812V	0	1	1	0	0	0	1.324V
1	1	1	0	0	1	0.796V	0	1	1	0	0	1	1.308V
1	1	1	0	1	0	0.780V	0	1	1	0	1	0	1.292V
1	1	1	0	1	1	0.764V	0	1	1	0	1	1	1.276V
1	1	1	1	0	0	0.748V	0	1	1	1	0	0	1.260V
1	1	1	1	0	1	0.732V	0	1	1	1	0	1	1.244V
1	1	1	1	1	0	0.716V	0	1	1	1	1	0	1.228V
1	1	1	1	1	1	0.700V	0	1	1	1	1	1	1.212V

QUANTA COMPUTER

Title: POWER (LM27299/VCORE)

Size: Document Number BQ1 Rev 1A

Date: Thursday, August 18, 2005 Sheet 31 of 32

